

FEATURES

- Easy to clean, IP66 and NEMA 4X hose down rated
- NSF certified Splash Zone rating for food processing areas
- Stainless steel end caps, gasketed with extruded fungal resistant silicone
- 0.125" thick acrylic enclosure
- Wide and narrow light distributions options
- Optional quick connect, water tight cord sets allow fixture swap-out in minutes

PROJECT INFORMATION

Project Name _____

Type _____

Catalog No. _____

Date _____

ELECTRICAL

Standard class "P," thermally protected, auto-resetting HPF ballast, sound rated A. NEC/CEC-compliant ballast disconnect is standard. Fixture end caps are supplied ready for water-tight cord system installation. 72" of 16/3 SJO type cord is supplied out one end of luminaire, less plug standard.

FINISH

White painted parts are treated with a five stage phosphate bonding process and finished after fabrication with a minimum 90% reflective gloss baked enamel. Suspension hardware by others.

HOUSING

0.125" Thick extruded acrylic enclosure with spun 304 stainless steel end caps. Enclosure sealed with one-piece silicone gasket. Threaded stud in center of end cap provides positive mechanical seal.

MOUNTING

Adjustable stainless steel mount strap (2 per fixture). Optional wall mounting brackets available.



REFLECTORS

88% reflective, aluminum painted gloss white (wide spread distribution). Optional faceted specular aluminum, reflector 95% reflective (narrow distribution) recommended for aisle and areas requiring more vertical illumination.

ORDERING INFORMATION

EXAMPLE XTS4-254-M4R-EPU-F5841-F3C6WT

XTS	-	2	-	-	U	-	-
MODEL XTS Enclosed and Gasketed Acrylic Tube, Severe Environment	NO. OF LAMPS IN CROSS SECTION 2 Two	REFLECTOR M4R 95% Reflective Specular Aluminum (Narrow Beam) GW Gloss White (Wide Beam)	BALLAST E (1) 2-Lamp Electronic T8, Instant Start 4E (1) 4-Lamp Electronic T8, Instant Start EHL (1) 2-Lamp Electronic T8 High Light Output, Instant Start 4EHL (1) 4-Lamp Electronic T8 High Light Output, Instant Start EP (1) 2-Lamp Electronic T5, Programmed Start 4EP (1) 4-Lamp Electronic T5HO, Programmed Start EPHL (1) 2-Lamp Electronic T8, High Light Output, Programmed Start 4EPHL (1) 4-Lamp Electronic T8, High Light Output, Programmed Start	VOLTAGE U 120V-277V	LAMPS INSTALLED F0841 T8 32W Lamps Installed, 82 CRI, 4100°K F5841 T5HO 54W Lamps Installed, 85 CRI, 4100°K	OPTIONS F3C6WT 6' Mini-Quick disconnect cord set. Threaded male receptacle, strain relief installed in end cap. Straight threaded female plug one end of cord, other end has stripped leads ready for feed installation F3C12WT 12' Mini-Quick disconnect cord set. Threaded male receptacle, strain relief installed in end cap. Straight threaded female plug one end of cord, other end has stripped leads ready for feed installation GLR Fast Blow Fuse GMF Slow Blow Fuse	
	SIZE 4 4' 8 8'	LAMP TYPE 32 4', T8: 32, 30, 28, or 25 Watt 54 4', T5HO 54 or 51 Watt					

*For NEMA premium ballast, add prefix N. e.g., NEPHL.



PHOTOMETRIC DATA

Test 2705 Test Date 6/19/09

LUMINAIRE DATA

Luminaire	XTS4-232 XTS Extreme Environment 4' x 6" Tube
Ballast	1 - Electronic
Ballast Factor	-
Lamp	F32T8
Lumens per Lamp	2950
Watts	32
Mounting	Suspended
Shielding Angle	0° = 90 90° = 90
Spacing Criterion	0° = 1.30 90° = 1.20
Luminous Opening in Feet	Length: - Width: - Height: -

ZONAL LUMEN SUMMARY

Zone	Lumens	%Lamp	%Fixt.
0-30	1209	20.5	22.3
0-40	1929	32.7	35.6
0-60	3259	55.2	60.1
0-90	4567	77.4	84.2
90-120	754	12.8	13.9
90-130	801	13.6	14.8
90-150	837	14.2	15.4
90-180	859	14.6	15.8
0-180	5426	92.0	100.0

ENERGY DATA

Total Luminaire Efficiency	92.0%
Luminaire Efficacy Rating (LER)	-
IESNA RP-1-1993 Compliance	-
Comparative Yearly Lighting Energy Cost per 1000 Lumens	SN/A based on 3000 hrs. and \$0.08 per KWH

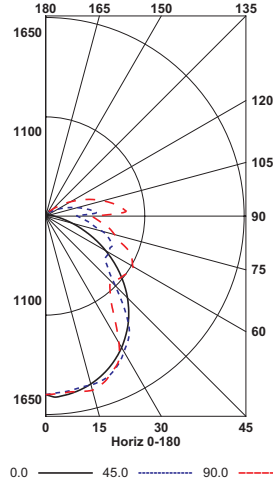
COEFFICIENTS OF UTILIZATION (%)

RCR	RC	80				70				50				0
		RW	70	50	30	10	70	50	30	10	50	30	10	0
1	95	90	86	82	91	87	83	79	80	77	74	61	0	
2	86	78	71	66	82	75	69	64	69	64	60	50	0	
3	78	68	60	54	75	66	58	53	61	55	50	42	0	
4	72	60	52	46	68	58	50	45	54	47	42	36	0	
5	66	54	45	39	63	52	44	38	48	42	37	31	0	
6	61	48	40	34	58	47	39	33	44	37	32	27	0	
7	56	44	36	30	54	42	35	30	40	33	28	24	0	
8	52	40	32	27	50	39	31	26	36	30	25	21	0	
9	49	37	29	24	47	36	29	24	33	27	23	19	0	
10	46	34	27	22	44	33	26	21	31	25	21	18	0	

RCR = Room Cavity Ratio

RC = Effective Ceiling Reflectance RW = Wall Reflectance

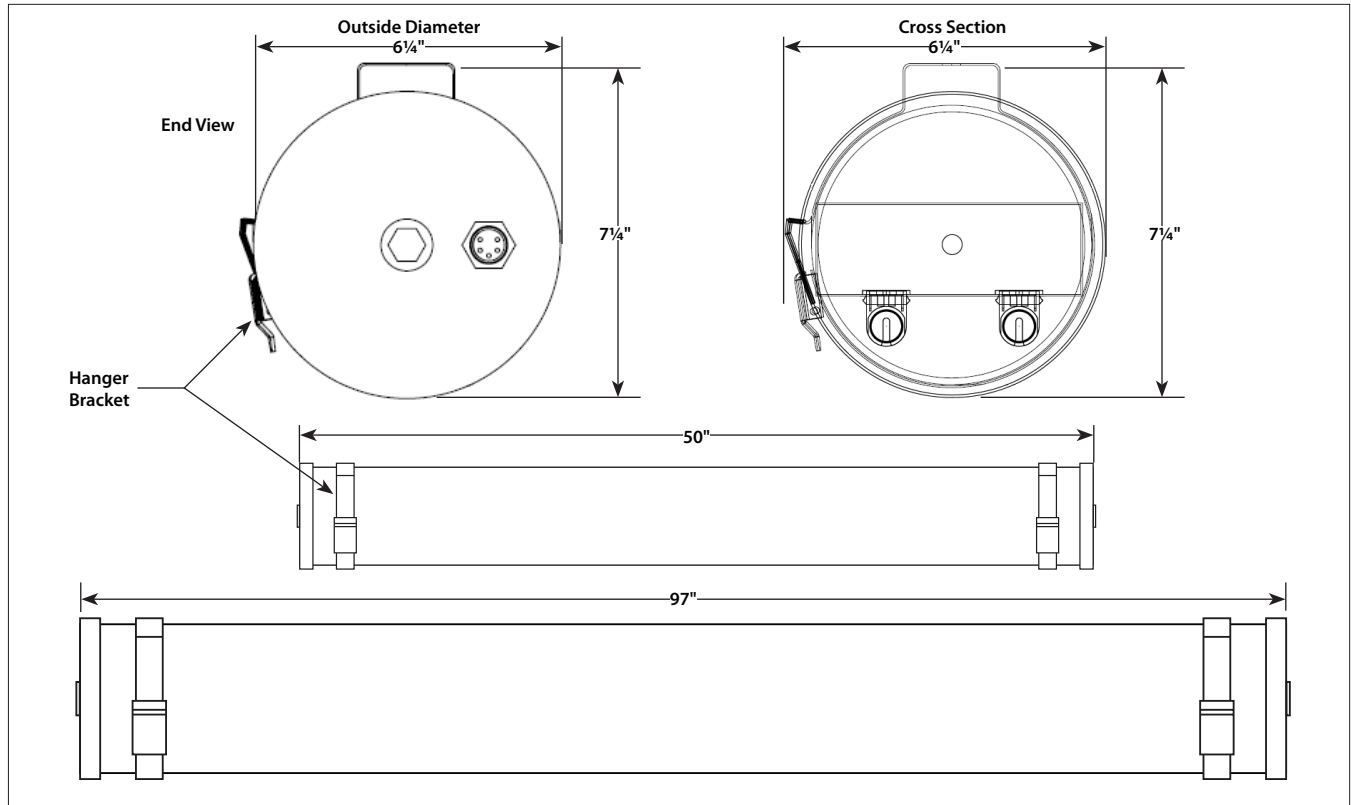
INDOOR CANDELA PLOT



AVG. LUMINANCE (Candela/Sq. M.)

Average Luminance Angle	0.0	22.5	45.0	67.5	90.0
0	1518	1518	1518	1518	1518
30	1286	1317	1325	1292	1231
40	1089	1139	1031	862	845
45	971	1014	815	761	796
50	841	883	679	772	827
55	703	723	621	785	853
60	562	525	617	805	845
65	418	386	619	751	794
70	285	311	561	644	665
75	164	270	452	548	588
80	70	216	372	468	500
85	17	135	295	394	428

DIMENSIONAL DATA



NOTE: All dimensions are in inches; dimensions and specifications are subject to change without notice. Please consult factory or check sample for verification.