

FEATURES

- IP67 Rated for hose down, wet locations
- NSF Rated for Splash Zone, suitable for food production areas
- 5VA (f1) fire rated materials
- Fiberglass housing and tough injection molded
- Pour in place gasket and cam latches seal enclosure
- Stainless steel latches and V-hanger standard
- 4-Lamp T5HO cross section UL approved at 40°C
- Specular aluminum (High Bay) or painted gloss white (Aisle Lighter) reflectors
- Exterior quick mounting system reduces installation time

PROJECT INFORMATION

Project Name _____

Type _____

Catalog No. _____

Date _____

CONSTRUCTION

Fiberglass reinforced housing and tough injection molded lens. Hinged ballast tray for easy maintenance. Rounded fixture shape for easy cleaning and less dirt and water accumulation. 12 captive steel latches and four fixed installation points help insure no parts are lost.

REFLECTOR

Multi-faceted 95% reflectance reflector provides precise control and excellent efficiency. Also available in powder coated gloss white finish for wide distribution.

BALLAST & ELECTRICAL

Standard class "P" thermally protected, auto starting HPF, sound rated A. NEC /CEC- compliant ballast disconnects are standard. Fixture has plugged 7/8" hole both ends. Fixture can be order with liquid tight cord (16/3 SJO) installed or cord installed with 8' or 15' line voltage disconnect.

FINISH

Housing has smooth chemical resistant finish. Internal steel surfaces are painted with high gloss baked white enamel, applied over iron phosphate pre-treatment for maximum adhesion and rust resistance. Stainless steel parts have fine brushed mill finish.

MOUNTING

Fixture is intended to be suspended mounted with aircraft cable or chain (See Accessories).

CERTIFICATION

All luminaires are built to UL 1598 wet location standards and have IP67 hose down ratings. Housing and lens are made with 5VA (f1) fire rated materials. All XFSW fixtures are NSF rated for Splash Zones. 4 lamp in cross section version UL listed for use in 40°C (104°F) ambient temperatures.



ORDERING INFORMATION

EXAMPLE XFSW4-632-CA-M4R-3EPHLU-F0841-F3C8WQ

XFSW		4	-	-	-	-	U	-					
MODEL	NO. OF LAMPS IN CROSS SECTION	LENS TYPE	REFLECTOR	VOLTAGE	OPTIONS								
XFSW Severe Fiberglass Low/High Bay	4 Four 6 Six	CA Clear Impact Resistant Acrylic CP Clear UV Stabilized Polycarbonate	M4R 95% Reflective Specular Aluminum (Narrow Beam) GW Gloss White (Wide Beam)	U 120V-277V	F5841 41K 85 CRI 54W T5HO Lamps Installed	F0841 41K 82 CRI 32W T8 Lamps Installed	F3C8W 3 Conductor liquid tight feed cord wired to fixture (no plug) 8'	F3C15W 3 Conductor liquid tight feed cord wired to fixture (no plug) 15'	F3C8WQ 8' Cord with liquid tight quick disconnect 6.5' from fixture end, 1.5' of cord with no plug at feed end	F3C15WQ 15' Cord with liquid tight quick disconnect 13.5' from fixture end, 1.5' of cord with no plug at feed end	OSWL Occupancy Sensor Wet Location Factory Installed (IP65 rated with adjustable bracket. Requires programmed start ballasts)	GLR Fast Blow Fuse	GMF Slow Blow Fuse
SIZE	LAMP TYPE	BALLAST											
4 4'	32 4', T8: 32, 30, 28 or 25 Watt 54 4', T5HO 54 or 51 Watt	XFSW4-454 4EP (1) 4-Lamp Electronic T5HO, Programmed Start XFSW4-654 24EP (1) 2-Lamp and (1) 4-Lamp Electronic T5HO, Programmed Start XFSW4-432 4EHL (1) 4-Lamp Electronic T8, High Light Output, Instant Start EPHL (2) 2-Lamp Electronic T8, High Light Output, Programmed Start 4EPHL (1) 4-Lamp Electronic T8, High Light Output, Programmed Start XFSW4-632 3EHL (2) 3-Lamp Electronic T8, High Light Output, Instant Start 3EPHL (2) 3-Lamp Electronic T8 High Output, Programmed Start											

*For NEMA premium ballast, add prefix N. e.g., NEPHL

ACCESSORIES (ORDER SEPARATELY)

- LHVQM5 Aircraft Cable, 5' (Pair)
- LHVQM10 Aircraft Cable, 10' (Pair)
- XFSWSB Surface Mount Bracket, kit includes 2 brackets



PHOTOMETRIC DATA

LUMINAIRE DATA

Luminaire	XFSW4-632CA-M4R-3EU XFSW, Extreme Environment 1 x 4 6-LAMP WITH SPECULAR REFLECTOR AND CLEAR PLASTIC WRAP LENS
Ballast	(2) GE332MAX-N/ULTRA
Ballast Factor	0.87
Lamp	F32T8
Lumens per Lamp	3000
Watts	136
Mounting	Surface
Shielding Angle	0° = 0 90° = 0
Spacing Criterion	0° = 1.24 90° = 1.18
Luminous Opening in Feet	Length: 4.29 Width: 1.21 Height: 0.22

AVG. LUMINANCE (Candela/Sq. M.)

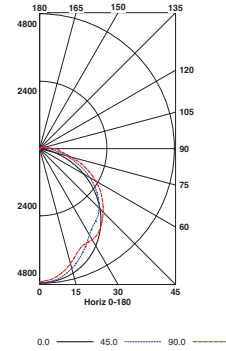
	0.0	22.5	45.0	67.5	90.0
0	9858	9858	9858	9858	9858
30	9298	8557	7751	7920	8113
40	8803	7711	7600	7984	8093
45	8472	7202	7555	7805	7928
50	8059	6730	7347	7606	7748
55	7556	6391	7055	7359	7591
60	6925	6011	6652	7062	7257
65	6149	5488	6217	6585	6859
70	5187	4900	5508	6101	6348
80	2840	3231	4123	4634	4980
85	2085	2698	3902	4820	5403

COEFFICIENTS OF UTILIZATION (%)

RC	80				70				50				0
RW	70	50	30	10	70	50	30	10	50	30	10	0	
1	82	78	75	72	80	76	73	70	72	70	67	61	
2	75	68	63	58	72	66	61	57	63	59	55	50	
3	68	60	53	48	66	58	52	47	55	50	46	42	
4	62	53	46	41	60	51	45	40	49	44	39	36	
5	57	47	40	35	55	46	39	35	44	38	34	31	
6	53	42	35	30	51	41	35	30	40	34	30	27	
7	49	38	32	27	47	38	31	27	36	30	26	24	
8	45	35	28	24	44	34	28	24	33	27	23	21	
9	42	32	26	21	41	32	25	21	30	25	21	19	
10	40	30	24	19	39	29	23	19	28	23	19	17	

Test LS126249 Test Date 11/11/09

INDOOR CANDELA PLOT



ZONAL LUMEN SUMMARY

Zone	Lumens	Lamp	Fixt.
0-30	3509	19.5	25.4
0-40	5715	31.7	41.3
0-60	10155	56.4	73.4
0-90	13299	73.9	96.2
0-180	13829	76.8	100.0

ENERGY DATA

Total Luminaire Efficiency	76.8%
Luminaire Efficacy Rating (LER)	88
IESNA RP-1-2004 Compliance	Non-Compliant
Comparative Yearly Lighting Energy Cost per 1000 Lumens	\$2.73 based on 3000 hrs. and \$0.08 per KWH

LUMINAIRE DATA

Luminaire	XFSW4-454CA-M4R-4EPU XFSW, Extreme Environment 1 x 4 4-LAMP WITH SPECULAR REFLECTOR AND CLEAR PLASTIC WRAP LENS
Ballast	B454PUNVHB-E
Ballast Factor	1.00
Lamp	F54T5
Lumens per Lamp	4500
Watts	196
Mounting	Surface
Shielding Angle	0° = 0 90° = 0
Spacing Criterion	0° = 1.23 90° = 1.09
Luminous Opening in Feet	Length: 4.29 Width: 1.21 Height: 0.22

AVG. LUMINANCE (Candela/Sq. M.)

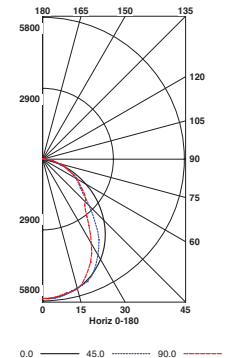
	0.0	22.5	45.0	67.5	90.0
0	11811	11811	11811	11811	11811
30	11007	10647	9882	9052	8622
40	10347	9860	7912	6651	6386
45	9883	9076	6785	5986	6107
50	9321	8211	5781	5908	5939
55	8640	7116	5332	5477	5404
60	7801	5663	5026	5046	5220
65	6812	4295	4629	4703	4550
70	5633	3579	4085	3677	4043
75	4216	3051	2976	3860	3685
80	2729	2585	2839	2644	2657
85	1860	1955	2310	2149	2164

COEFFICIENTS OF UTILIZATION (%)

RC	80				70				50				0
RW	70	50	30	10	70	50	30	10	50	30	10	0	
1	81	78	75	72	79	76	73	71	72	70	68	62	
2	74	68	64	60	72	67	62	59	64	60	57	53	
3	68	61	55	50	66	59	54	50	57	52	49	45	
4	63	54	48	43	61	53	47	43	51	46	42	39	
5	58	49	42	38	56	48	42	37	46	41	37	34	
6	54	44	38	33	52	43	37	33	42	37	33	30	
7	50	40	34	30	49	40	34	30	38	33	29	27	
8	47	37	31	27	45	36	31	27	35	30	26	25	
9	44	34	28	24	43	34	28	24	33	27	24	22	
10	41	32	26	22	40	31	26	22	30	25	22	20	

Test LS126285 Test Date 11/19/06

INDOOR CANDELA PLOT



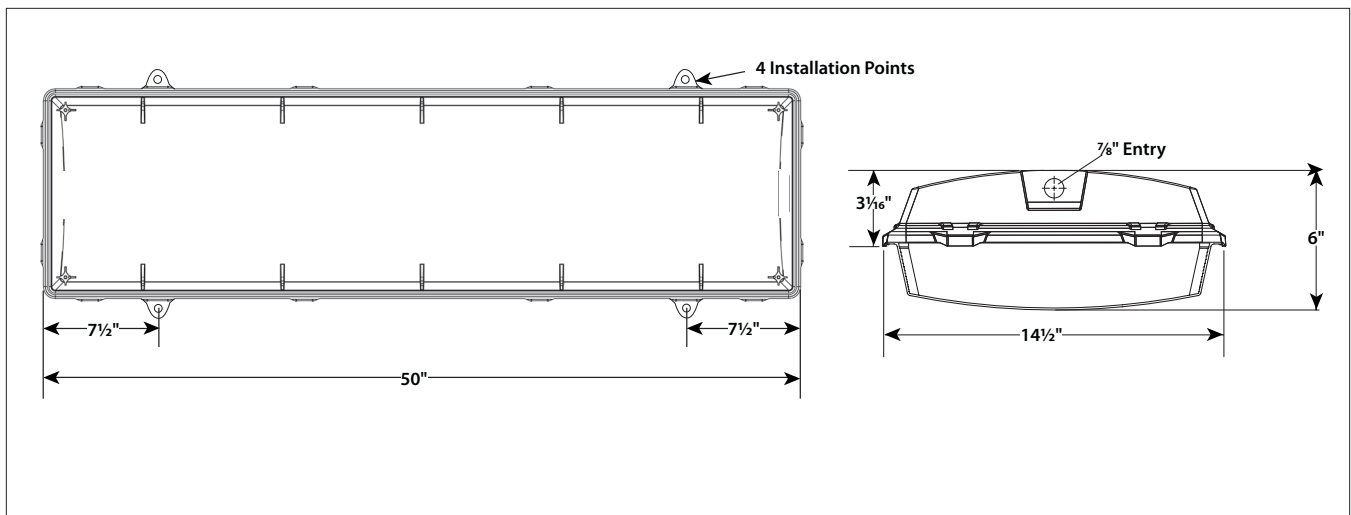
ZONAL LUMEN SUMMARY

Zone	Lumens	Lamp	Fixt.
0-30	4335	24.1	32.5
0-40	6794	37.7	50.9
0-60	10890	60.5	81.5
0-90	13133	73.0	98.3
0-180	13358	74.2	100.0

ENERGY DATA

Total Luminaire Efficiency	74.2%
Luminaire Efficacy Rating (LER)	68
IESNA RP-1-2004 Compliance	Non-Compliant
Comparative Yearly Lighting Energy Cost per 1000 Lumens	\$3.53 based on 3000 hrs. and \$0.08 per KWH

DIMENSIONAL DATA



NOTE: All dimensions are in inches; dimensions and specifications are subject to change without notice. Please consult factory or check sample for verification.