

**FEATURES**

- Wet label shallow housing troffer
- Gasketed to provide additional seal between door, lens, and housing
- Mitered corners standard on door frame
- Rolled or hemmed housing edges
- Mechanical light trap
- All metal parts are white powder coat, painted after fabrication
- UL listed 1598 for wet location covered ceiling applications
- Integral T-bar clips quickly secure fixture to the grid system without the need for time-consuming loose parts
- Snap-in ballast covers can be removed when lamps are installed
- Corner hinging for easy insertion and removal of shielding frame
- Flush steel shielding frame, screw assembled for easy diffuser replacement
- Housing ends are secured by unique corner interlock and screws
- Heat sink embossments behind ballasts for cooler operation and longer life
- Metal to metal light leak protection on all four sides of shielding frame

**PROJECT INFORMATION**

Project Name \_\_\_\_\_

Type \_\_\_\_\_

Catalog No. \_\_\_\_\_

Date \_\_\_\_\_

**FLANGED FEATURES**

Four adjustable Uni-Lugs for quick easy installation. Optional plaster frames available for individual or row mounting. Fixture end flanges are removable for row mounting. Joiner channels are included.

**HOUSING**

Heavy gauge steel. Die formed for extra rigidity. Designed for installation in standard inverted tee grid ceilings.

**BALLASTS**

Energy efficient, thermally protected, automatic resetting, Class P, high power factor, sound rated A, unless otherwise specified. CEE NEMA Premium compliant.

**ELECTRICAL**

Standard class "P," thermally protected, autoresetting HPF ballast, sound rated A. CEE NEMA Premium compliant. All ballast leads extend a minimum of 6" through access location. NEC/CEC-compliant ballast disconnect is standard.

**FINISH**

All metal parts are processed with a five phase phosphate bonding treatment. Grid units are pre-painted with high glass baked white enamel, 86% reflective. Flanged units are painted after fabrication with a polyester powder coat, reflectance of 90%.

**SHIELDING**

100% prismatic acrylic, extruded and roll-embossed, diagonally oriented female prisms, unless otherwise specified.

**FLANGED UNIT INSTALLATION**

Fixtures are installed from below the ceiling and have overlapping trim flanges. Adjustable Uni-Lugs secure the fixture to the ceiling structure. Plaster frames are available if required.

**CERTIFICATION**

All luminaires are built to UL 1598 standards and bear appropriate UL and cUL or CSA labels. Wet location labeling is standard.

**ORDERING INFORMATION**

**EXAMPLE WT24-332G-FAA12-EU-C488-GLR**

WT 24 -									
MODEL	NO. OF LAMPS	CEILING TYPE	SHIELDING	VOLTAGE	OPTIONS	SIZE	LAMP TYPE	DOOR STYLE	BALLAST
WT Wet Location Lensed Troffer	2 Two 3 Three 4 Four 6 Six	G Inverted T-bar F Overlap Flange	A12 Pattern 12 Acrylic 0.100" Nominal (Standard) A12.125 Pattern 12 Acrylic 0.125" Nominal A19 Pattern 19 Acrylic 0.156" Male Prism DR12 High Impact Acrylic Pattern 12, .140" (Std.)	U 120V-277V 347 347V	F0730 T8, 70CRI, 3000K Lamps, Furn/Inst. F0735 T8, 70CRI, 3500K Lamps, Furn/Inst. F0741 T8, 70CRI, 4100K Lamps, Furn/Inst. SLL Spring Loaded Latches GMF Slow Blow Fuse GLR Fast Blow Fuse C388 3/8" Flex with 3 No. 18 Wires C384 3/8" Flex with 3 No. 14 Wires C488 3/8" Flex with 4 No. 18 Wires C424 1/2" Flex with 4 No. 14 Wires NYC NYC Compliant NYCU NYC Compliant, Union Label	24 2' x 4'	28 4', T5: 28 Watt 32 4', T8: 32, 30, 28 or 25 Watt 54 4', T5HO: 54 or 51 Watt	FA White Flush Aluminum RA White Regressed Aluminum	E Electronic T8, Instant Start 3E 3-Lamp Electronic T8, Instant Start 4E 4-Lamp Electronic T8, Instant Start 24E (1) 2-Lamp and (1) 4-Lamp Electronic T8, Instant Start EP Electronic T5 or T8, Programmed Start 3EP 3-Lamp Electronic T5HO or T8, Programmed Start 4EP 4-Lamp Electronic T5HO (N/A 347V) or T8, Programmed Start 24EP (1) 2-Lamp and (1) 4-Lamp Electronic T5HO (N/A 347V) or T8, Programmed Start

For complete list of lenses and louvers, see options and accessories.

For a specific ballast vendor show as option.

For a complete set of options, see options and accessories section.

Test 13747 Test Date 12/3/04

### PHOTOMETRIC DATA

#### LUMINAIRE DATA

Luminaire	WT24-332G-FSA12-3E-PAF WT Lensed Troffer 2' x 4' 3-Lamp with A12 Pattern Acrylic Prisms Lens
Ballast	B2321120RH-A
Ballast Factor	0.88
Lamp	F32T8
Lumens per Lamp	2900
Total Input Watts	87
Mounting	Recessed
Shielding Angle	0° = 90 90° = 90
Spacing Criterion	0° = 1.25 90° = 1.37
Luminous Opening in Feet	Length: 3.82 Width: 1.82 Height: 0.00

#### ZONAL LUMEN SUMMARY

Zone	Lumens	% Lamp	% Fixt.
0-30	2086	24.0	29.5
0-40	3448	39.6	48.8
0-60	5916	68.0	83.8
0-90	7064	81.2	100.0
0-180	7064	81.2	100.0

#### ENERGY DATA

Total Luminaire Efficiency	81.2%
Luminaire Efficacy Rating (LER)	FL - 71
ANSI/IESNA RP-1-2004 Compliance	Noncompliant
Comparative Yearly Lighting Energy Cost per 1000 Lumens	\$3.38 based on 3000 hrs. and \$0.08 per KWH

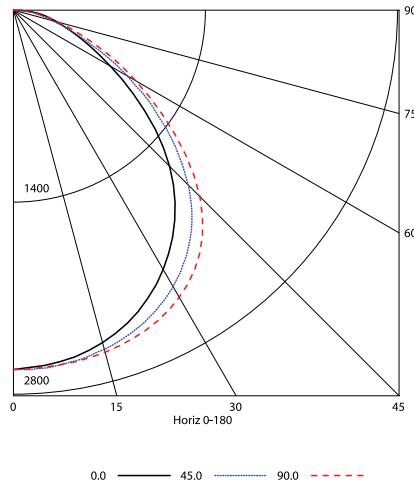
#### COEFFICIENTS OF UTILIZATION (%)

RCR	RW	80				70				50				0
		70	50	30	10	70	50	30	10	50	30	10	0	
1	89	85	82	79	87	83	80	78	80	78	75	69		
2	81	75	70	65	79	73	69	64	71	66	63	58		
3	74	66	60	55	72	65	59	54	63	58	53	50		
4	68	59	52	47	66	58	51	46	56	50	46	43		
5	63	53	46	41	61	52	45	40	50	44	40	37		
6	58	48	41	36	57	47	40	35	45	39	35	33		
7	54	43	36	31	53	43	36	31	41	35	31	29		
8	50	40	33	28	49	39	32	28	38	32	28	26		
9	47	36	30	25	46	36	30	25	35	29	25	23		
10	44	33	27	23	43	33	27	23	32	27	23	21		

RCR = Room Cavity Ratio

RC = Effective Ceiling Cavity Reflectance RW = Wall Reflectance

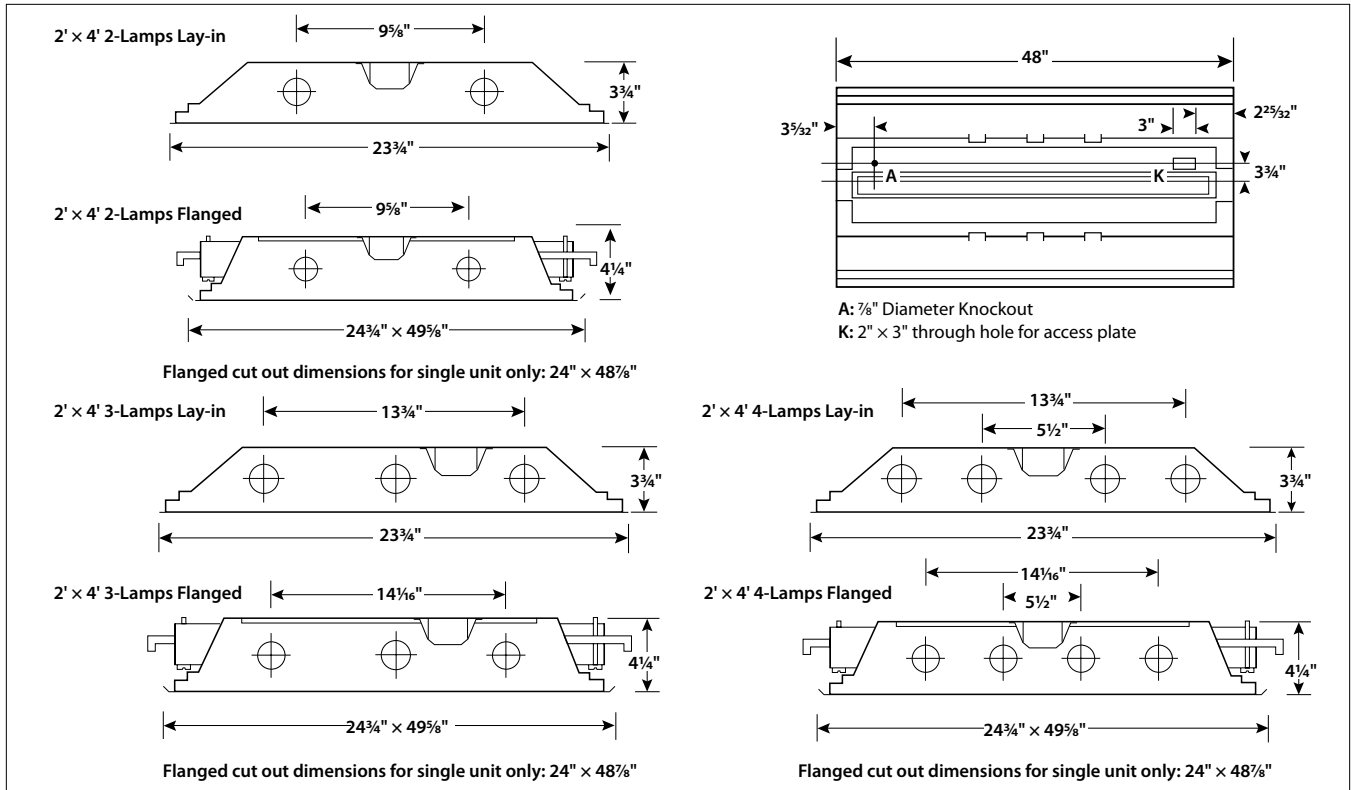
#### INDOOR CANDELA PLOT



#### AVG. LUMINANCE (Candela/Sq. M.)

Average Luminance Angle	0.0	22.5	45.0	67.5	90.0
0	4056	4056	4056	4056	4056
30	3903	3992	4160	4287	4321
40	3705	3846	4091	4271	4333
45	3525	3689	3946	4143	4208
50	3249	3430	3702	3890	3945
55	2888	3096	3374	3523	3579
60	2524	2731	2973	3100	3196
65	2235	2370	2517	2641	2795
70	2023	2073	2069	2200	2381
75	1956	1956	1741	1896	2070
80	2095	2015	1658	1783	1863
85	2327	2221	1830	1759	1794

#### DIMENSIONAL DATA



**NOTE:** All dimensions are in inches; dimensions and specifications are subject to change without notice. Please consult factory or check sample for verification.