

FEATURES

- Wet label housing troffer
- Gasketed to provide additional seal between door, lens, and housing
- Mitered corners standard on door frame
- Mechanical light trap
- All metal parts are white powder coat, painted after fabrication
- UL listed 1598 for wet location covered ceiling applications
- Rotary action cam latches. Smooth operating for secure shielding retention
- Corner hinging for easy insertion and removal of shielding frame
- Housing ends are secured by unique corner interlock and screws
- Metal to metal light leak protection on all four sides of shielding frame
- Rotary lock lampholders for positive lamp contact
- Heat sink embossments behind ballasts for cooler operation and longer life

PROJECT INFORMATION

Project Name _____

Type _____

Catalog No. _____

Date _____

FLANGED FEATURES

Four adjustable Uni-Lugs for quick easy installation. Optional plaster frames available for individual or row mounting. Fixture end flanges are removable for row mounting. Joiner channels are included.

HOUSING

Heavy gauge steel. Die formed for extra rigidity. Designed for installation in standard inverted tee grid ceilings.

BALLASTS

Energy efficient, thermally protected, automatic resetting, Class P, high power factor, sound rated A, unless otherwise specified.

FINISH

All metal parts are processed with a five phase phosphate bonding treatment. Grid units are pre-painted with high glass baked white enamel, 86% reflective. Flanged units are painted after fabrication with a polyester powder coat, reflectance of 90%.

SHIELDING

100% acrylic prismatic, extruded and roll-embossed, diagonally oriented female prisms, unless otherwise specified.

FLANGED UNIT INSTALLATION

Fixtures are installed from below the ceiling and have overlapping trim flanges. Adjustable Uni-Lugs secure the fixture to the ceiling structure. Plaster frames are available if required.

CERTIFICATION

All luminaires are built to UL 1598 standards and bear appropriate UL and cUL or CSA labels. Wet location labeling is standard.

ORDERING INFORMATION

EXAMPLE WT14-232G-FAA12-EU

WT 14 - 2									
MODEL WT Wet Location Lensed Troffer	NO. OF LAMPS 2 Two	CEILING TYPE G Inverted T-bar F Overlap Flange	SHIELDING A12 Pattern 12 Acrylic 0.100" Nominal (Standard) A12.125 Pattern 12 Acrylic 0.125" Nominal A19 Pattern 19 Acrylic 0.156" Male Prism DR12 High Impact Acrylic Pattern 12, .140" (Std.)	VOLTAGE U 120V-277V 347 347V	OPTIONS F0730 T8, 70CRI, 3000K Lamps, Furn/Inst. F0735 T8, 70CRI, 3500K Lamps, Furn/Inst. F0741 T8, 70CRI, 4100K Lamps, Furn/Inst. SLL Spring Loaded Latches GMF Slow Blow Fuse GLR Fast Blow Fuse C388 3/8" Flex with 3 No. 18 Wires C384 3/8" Flex with 3 No. 14 Wires C488 3/8" Flex with 4 No. 18 Wires C424 1/2" Flex with 4 No. 14 Wires PAF Paint After Fabrication NYC NYC Compliant NYCU NYC Compliant, Union Label	SIZE 14 1' x 4'	LAMP TYPE 28 4', T5: 28 Watt 32 4', T8: 32, 30, 28 or 25 Watt 54 4', T5HO: 54 or 51 Watt	DOOR STYLE FA White Flush Aluminum RA White Regressed Aluminum	BALLAST E Electronic T8, Instant Start EP Electronic T5 or T8, Programmed Start
For complete list of lenses and louvers, see options and accessories.									
For specific ballast vendor, show as option.									
For a complete set of options, see options and accessories section.									

PHOTOMETRIC DATA

Test 13763 Test Date 12/27/04

LUMINAIRE DATA

Luminaire	WT14-232G-FSA12-E-PAF WT Lensed Troffer 1' x 4' 2-Lamp with A12 Prismatic Acrylic Lens
Ballast	REL-2P32-SC
Ballast Factor	0.88
Lamp	F32T8
Lumens per Lamp	2900
Total Input Watts	59
Mounting	Recessed
Shielding Angle	0° = 0 90° = 0
Spacing Criterion	0° = 1.22 90° = 1.14
Luminous Opening in Feet	Length: 3.81 Width: 0.81 Height: 0.00

ZONAL LUMEN SUMMARY

Zone	Lumens	% Lamp	% Fixt.
0-30	1497	25.8	34.5
0-40	2368	40.8	54.5
0-60	3715	64.0	85.5
0-90	4346	74.9	100.0
0-180	4346	74.9	100.0

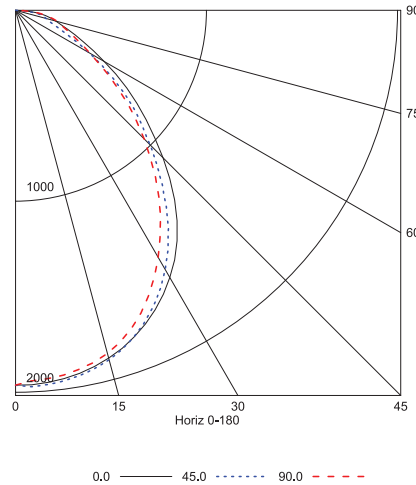
ENERGY DATA

Total Luminaire Efficiency	74.9%
Luminaire Efficacy Rating (LER)	65
ANSI/IESNA RP-1-2004 Compliance	Noncompliant
Comparative Yearly Lighting Energy Cost per 1000 Lumens	\$3.69 based on 3000 hrs. and \$0.08 per KWH

COEFFICIENTS OF UTILIZATION (%)

RCR	RC	80				70				50				0
		RW	70	50	30	10	70	50	30	10	50	30	10	0
1	82	79	76	73	80	77	75	72	74	72	70	64		
2	76	70	65	61	74	69	64	61	66	62	59	55		
3	70	62	57	52	68	61	56	52	59	55	51	48		
4	64	56	50	45	63	55	49	45	53	48	44	42		
5	59	50	44	40	58	50	44	39	48	43	39	37		
6	55	46	40	35	54	45	39	35	44	39	35	33		
7	51	42	36	31	50	41	35	31	40	35	31	29		
8	48	38	32	28	47	38	32	28	37	32	28	26		
9	45	35	30	26	44	35	29	26	34	29	25	24		
10	42	33	27	23	41	32	27	23	32	27	23	22		

INDOOR CANDELA PLOT



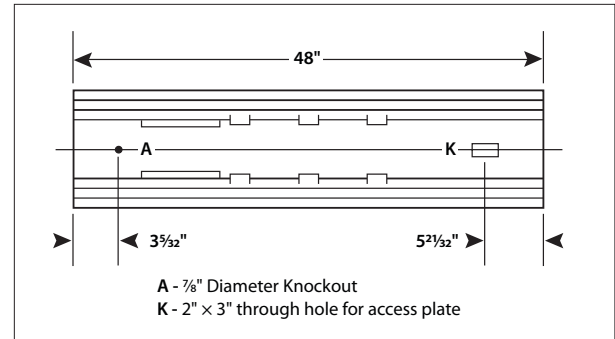
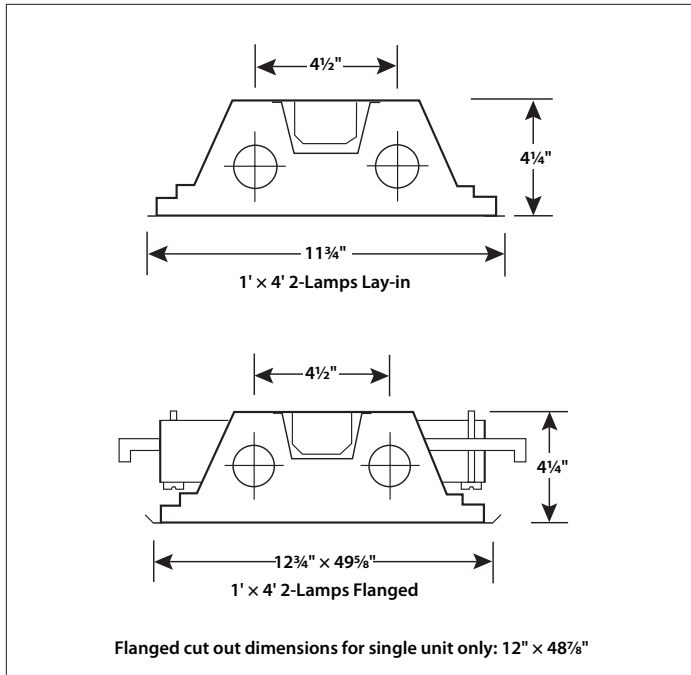
AVG. LUMINANCE (Candela/Sq. M.)

Average Luminance Angle	0.0	22.5	45.0	67.5	90.0
0	6843	6843	6843	6843	6843
30	6504	6472	6311	6094	6009
40	5896	5782	5446	5222	5191
45	5381	5263	4918	4716	4696
50	4840	4667	4417	4194	4189
55	4324	3977	3813	3588	3618
60	3732	3300	3083	3027	3139
65	3243	2814	2459	2732	2864
70	2968	2580	2101	2682	2794
75	2924	2601	2224	2763	3032
80	3194	2732	2651	3033	3374
85	3402	3082	2801	3562	3642

RCR = Room Cavity Ratio

RC = Effective Ceiling Cavity Reflectance RW = Wall Reflectance

DIMENSIONAL DATA



NOTE: All dimensions are in inches; dimensions and specifications are subject to change without notice. Please consult factory or check sample for verification.