

**FEATURES**

- Removable electrical system allows for convenient and easy maintenance from suitable locations
- Extra sturdy construction makes fixture very durable
- Optical system is designed to distribute the light away from the wall to wash and reflect off the wall and ceiling surfaces
- Downlight reflector and lens are canted to throw light down and out where needed
- Front overhang prevents head-on glare and conceals lens at eye level

**PROJECT INFORMATION**

Project Name \_\_\_\_\_

Type \_\_\_\_\_

Catalog No. \_\_\_\_\_

Date \_\_\_\_\_

**HOUSING**

Luminaire chassis and electrical tray are constructed of 20 gauge cold rolled steel. Highly durable endcaps are constructed of white steel. Downlight acrylic diffuser is securely framed in 20 gauge steel with steel hinges and positive action spring-loaded steel latches. Wood laminate ends with a black vinyl edge molding and/or a decorator strip fascia may be specified as options.

hinge pins and quickly removable without tools for remote service or maintenance. Electrical "tray" is completely wired and consists of ballasts, lamps, sockets, switch and optional night light and convenience outlet. Directional plug-in power socket provides quick disconnect, no tools required. Electrical system may be removed and pre-lamped, replacement inserted within two minutes without tools. CEE NEMA Premium compliant.

**SHIELDING**

Uplight and downlight shielding are of prismatic 100% virgin acrylic. Upper shield is easily removed for cleaning or lamp replacement. Bottom shield is framed, hinges down and is held securely in place for maintenance.

**INSTALLATION AND MAINTENANCE**

The WM is designed and constructed for rapid installation and minimum maintenance. Luminaire consists of two basic parts, a ruggedly constructed outer housing and the hinged electrical tray. Housing is mounted to the wall with wires pulled through one of three 1½" K.O.'s (J-Box may be on either side of center stud). Wire connections are made to the quick disconnect plug and the fixture is ready for the electrical tray which is completely pre-wired and may be pre-lamped. Installation and removal of the tray is shown below. Smooth fixture surfaces are designed for rapid wipe-off cleaning, no dirt traps. End caps surface is impervious to most standard cleaners and disinfectants.

**FINISH**

Painted parts are treated with a five stage phosphate bonding process and finished with a high reflectance baked white enamel. Custom colors are available.

**CERTIFICATION**

All luminaires are built to UL 1598 standards and bear appropriate UL and cUL or CSA labels. Damp location labeling is standard. Emergency-equipped fixtures labeled UL 924.

**BALLAST AND ELECTRICAL**

Fixture is completely wired with standard class "P", thermally protected, resetting, HPF, 120V volt ballast. Sound rated A. Lampholders have edge-wipe contacts. All 120V models with upward and downward lamps are provided with 4-way pull switch with 3' braided pull cord as standard. Entire plug-in electrical system is secured on

**ORDERING INFORMATION**

**EXAMPLE WM4-1U2D32-EU**

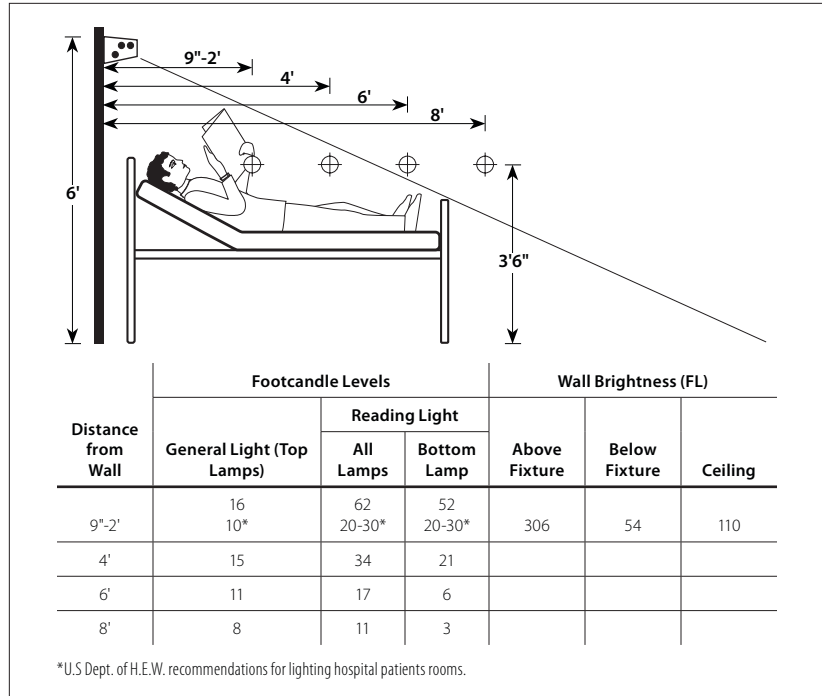
WM	4	-	-	E	U	-
MODEL	SIZE	LAMP TYPE	BALLAST	VOLTAGE	OPTIONS	
WM Premium Wall/Bed Light	4 4'	<b>1D32</b> 1-Down T8: 32 Watt <b>1U1D32</b> 1-Up, 1-Down T8: 32 Watt, 2 Ballasts <b>1U2D32</b> 1-Up, 2-Down T8: 32 Watt, 2 Ballasts <b>2D32</b> 2-Down T8: 32 Watt <b>2U1D32</b> 2-Up, 1-Down T8: 32 Watt, 2 Ballasts	<b>E</b> Electronic Instant Start (Std.)	<b>U</b> 120V-277V	<b>GCO</b> Grounded Convenience Outlet (120V only) <b>NL</b> Incandescent Night Light Socket*	
* Medium base lampholder for 15, 25, 40, or 60 Watt T10 lamp. Lamp not included. 120V only.						

### BED-LIGHT ILLUMINATION

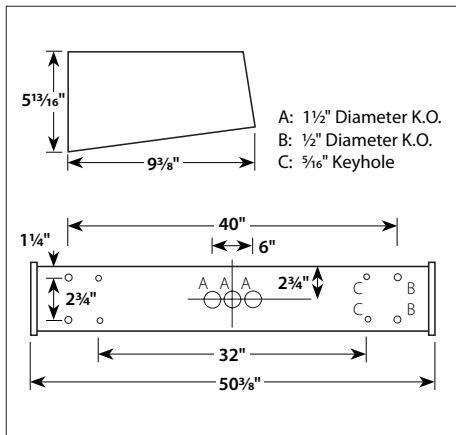
WM series is ideally suited for hospital room and bed-light illumination. Down lamps throw light out on reading material even when bed is in raised position. Available with optional Night Light and Grounded Convenience Outlet.

#### TEST DATA

Luminaire	WM4-2U1D40
Lamp	CW 3150 Lumens
Room Size	14' x 20'
Ceiling Height	9.5'
Reflectances	80-70-30



### DIMENSIONAL DATA



**NOTE:** All dimensions are in inches; dimensions and specifications are subject to change without notice. Please consult factory or check sample for verification.

### REMOVABLE ELECTRICAL SYSTEM

- Turn lighting switch to "off" position. Downlight door frame is unlatched, removed and set aside.
- Spring-loaded bullet-type hinge pins at back corners of electrical system, are retracted and entire electrical tray hinges forward. Let it hang, it is securely suspended.
- Reach in back of hanging electrical tray to the center of fixture on back wall and unplug the electrical system. This single direction power plug is the wiring connector for all electrical circuits in the fixture.
- Lift slightly on one end of the electrical tray, disengaging one fixed hinge pin from its cradle, guide it through the aperture slot provided, and remove the one-piece electrical system complete with lamps. A pre-serviced and pre-lamped tray may be replaced immediately by reversing the previous steps, and the defective tray removed elsewhere for maintenance.