

FEATURES

- Ideal for today's computer intensive electronic offices
- Wide light distribution provides uniform illumination
- Unique optical system eliminates glare
- Optional 15-cell louver meets IES standard RP-1 glare control
- T8 two lamp version features lamps stacked over/under
- Low iridescent anodized aluminum louver and reflector
- White powder coat finish painted after fabrication
- Surface and pendant mount available
- Asymmetric distribution and double wall wash companions available

PROJECT INFORMATION

Project Name _____

Type _____

Catalog No. _____

Date _____

CONSTRUCTION

Luminaire housing and end caps are die formed code gauge cold rolled steel. Louver and upper reflector surfaces are formed from low brightness iridescent suppressive specular anodized aluminum. Aluminum louver is secured in open or closed position by four torsion spring latches.

FINISH

Painted parts are treated with a five stage phosphate bonding process and finished with a high reflectance baked white enamel. Inner end caps finished black.

AIR HANDLING

Standard luminaire is static. Air extract option available to remove room air and cool lamps.

INSTALLATION

An access plate is furnished with each luminaire for fast wiring access from the plenum. No need to open fixture.

ELECTRICAL

Standard class "P", thermally protected, auto-resetting HPF ballast, sound rated A. All ballast leads extend a minimum of 6" through access

location. NEC/CEC-compliant ballast disconnect is standard.

CEILING COMPATIBILITY

Luminaire is available to fit most standard ceiling types. NEC-compliant T-bar clips supplied with all grid trim fixtures. See ceiling details on reverse. For continuous row mounting in hard ceilings use F trim and either EOR (end of row) or INT (intermediate mount) options. Contact your Columbia representative for compatibility information for specific ceiling types.

SURFACE OR PENDANT MOUNT

Companion surface or pendant mount version (SM ceiling type) matches performance and aesthetics of recessed versions.

CERTIFICATION

All luminaires are built to UL 1598 standards and bear appropriate UL and cUL or CSA labels. Damp location labeling is standard. Emergency-equipped fixtures labeled UL 924.

ORDERING INFORMATION

EXAMPLE VHC94-132GT-LS113-S-EU

VHC	94	-	LS	1	-	-	-	-
MODEL VHC VDT Parabolic	NO. OF LAMPS 1 One 2 Two	CEILING TYPE GT Integral Cross Tee (Grid ends lay into standard T-bar, sides act as integral cross tee to support tile) F Overlap Flange G Lay-in (GT is typically recommended) SM Surface Mount (Static only)	NO. CELLS CROSSWISE 1 One	NO. CELLS LENGTHWISE 13 Thirteen 15 Fifteen (132 versions meet IES RP-1 on room side)	AIR FUNCTIONS S Static H Heat Extract Only (No dampers)	VOLTAGE U 120V-277V 347 347V	DISTRIBUTION OPTIONS Blank Symmetric	OPTIONS F0735 35K 75 CRI T8 Lamps Installed F0835 35K 80 CRI T8 Lamps Installed F5835 35K 80 CRI T5 Lamps Installed GLR Fast Blow Fuse GMF Slow Blow Fuse EL Emergency Battery Pack MSEE Master/Satellite End-to-End
SIZE 94 9" x 4'	LAMP TYPE 28 4', T5: 28 Watt 32 4', T8: 32, 30, 28 or 25 Watt 54 4', T5HO: 54 or 51 Watt T8 only uses over/under lamp position	LOUVER FINISH LS Low Iridescent Specular	BALLAST E Electronic T8, Instant Start (Std.) EP Electronic T5, Programmed Start (std. T5/T5HO, optional T8) For other specific ballast vendor show as option.					

PHOTOMETRIC DATA

Test 10535 Test Date 6/10/03

LUMINAIRE DATA

Luminaire	VHC94-132G-LS113-EB8 VHC Parabolic 9" x 48" 1-Lamp with 1 x 13 Cell Specular Louver
Ballast	B2321120
Ballast Factor	0.95
Lamp	FO32/741
Lumens per Lamp	2850
Watts	35
Shielding Angle	N/A

ZONAL LUMEN SUMMARY

Zone	Lumens	% Lamp	% Fixt.
0-30	725	25.4	37.8
0-40	1259	44.2	65.7
0-60	1910	67.0	99.6
0-90	1917	67.3	100.0
0-180	1917	67.3	100.0

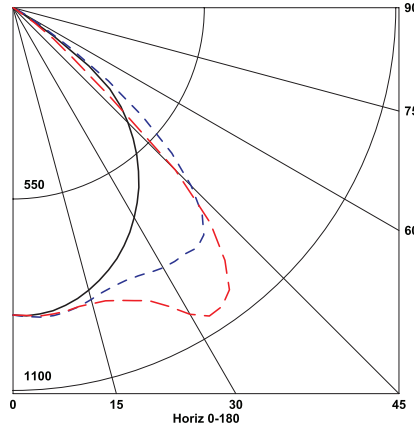
ENERGY DATA

Total Luminaire Efficiency	67.3%
Luminaire Efficacy Rating (LER)	52
ANSI/IESNA RP-1-2004 Compliance	Yes - Maximum
Comparative Yearly Lighting Energy Cost per 1000 Lumens	\$4.62 based on 3000 hrs. and \$0.08 per KWH

COEFFICIENTS OF UTILIZATION (%)

RCR	RC	80			70			50			0		
		RW	70	50	30	10	70	50	30	10	50	30	10
1	75	73	71	69	74	72	70	68	69	67	66	61	
2	70	66	63	60	69	65	62	59	63	60	58	54	
3	66	60	56	52	64	59	55	52	57	54	51	48	
4	61	54	50	46	60	54	49	46	52	48	45	43	
5	57	49	44	41	55	49	44	41	47	43	40	38	
6	53	45	40	36	52	44	40	36	43	39	36	34	
7	49	41	36	32	48	41	36	32	40	35	32	31	
8	46	38	33	29	45	37	33	29	37	32	29	28	
9	43	35	30	26	42	34	30	26	34	29	26	25	
10	40	32	27	24	39	32	27	24	31	27	24	23	

INDOOR CANDELA PLOT



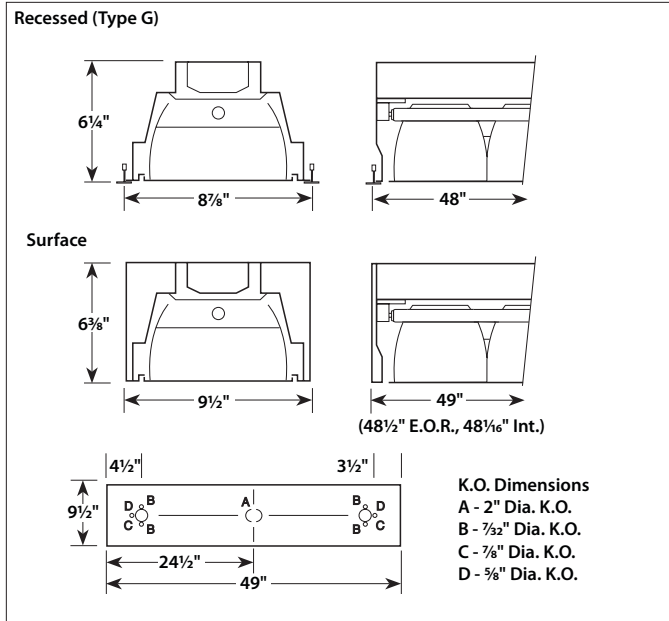
AVG. LUMINANCE (Candela/Sq. M.)

Average Luminance Angle	0.0	22.5	45.0	67.5	90.0
0	4309	4309	4309	4309	4309
30	3922	4147	4863	5606	5730
40	3523	4064	5427	6217	6032
45	3223	3982	4996	5100	4555
50	2756	3644	3689	2460	1685
55	1225	2323	1676	1157	638
60	78	283	498	98	29
65	23	35	58	35	23
70	14	14	14	14	14
75	19	19	19	0	0
80	0	0	0	0	0
85	0	0	0	0	0

RCR = Room Cavity Ratio

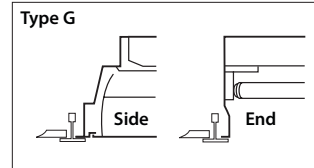
RC = Effective Ceiling Cavity Reflectance RW = Wall Reflectance

DIMENSIONAL DATA

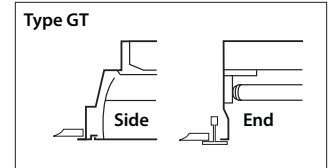


NOTE: All dimensions are in inches; dimensions and specifications are subject to change without notice. Please consult factory or check sample for verification.

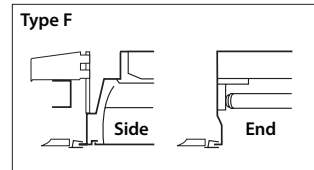
CEILING COMPATIBILITY



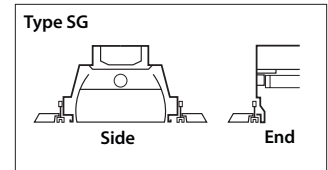
For lay-in installation in exposed grid ceilings. Maximum tee widths of 1" and maximum tee heights of 1 1/2" allowed.



For lay-in installation in grid ceilings. Fixture mounts on exposed tees at ends of fixture. Self flange attached to side supports tile, eliminating need for intermediary tees. Designed for end tees of 1" width.



For tile, plaster or plasterboard type ceilings. Overlapping extruded aluminum trim conceals edges of ceiling opening. Wing hanger suspension system included. For row mounting, row information is required.



For 5/8" slot grid type ceilings. Louver will be level with the ceiling plane. Slot grid tees must be field installed all around the fixture. For availability of side flanges, contact the factory.

Flange kit rough in dimensions for single unit only: 9 7/8" x 48 1/8"