

## FEATURES

- Optional 15 cell louver meets IES standard RP-1 glare control on room side
- Ideal for today's computer intensive electronic offices
- Wide light distribution provides uniform illumination
- Unique optical system eliminates glare
- T8 Two lamp version features lamps stacked over/under
- Low iridescent anodized aluminum louver and reflector
- White powder coat finish painted after fabrication
- Surface and pendant mount available
- Symmetric and double wall wash distribution companions available

## PROJECT INFORMATION

Project Name \_\_\_\_\_

Type \_\_\_\_\_

Catalog No. \_\_\_\_\_

Date \_\_\_\_\_

## CONSTRUCTION

Luminaire housing and end caps are die formed code gauge cold rolled steel. Louver and upper reflector surfaces are formed from low brightness iridescent suppressive specular anodized aluminum. Aluminum louver is secured in open or closed position by four torsion spring latches.

## FINISH

White painted parts are treated with a five stage phosphate bonding process and finished after fabrication with a minimum 90% reflective gloss baked enamel.

## AIR HANDLING

Standard luminaire is static. Air extract option available to remove room air and cool lamps.

## INSTALLATION

An access plate is furnished with each luminaire for fast wiring access from the plenum. No need to open fixture.

## ELECTRICAL

Standard class "P", thermally protected, auto-resetting HPF ballast, sound rated A. All ballast leads extend a minimum of 6" through access

location. NEC/CEC-compliant ballast disconnect is standard.

## CEILING COMPATIBILITY

Luminaire is available to fit most standard ceiling types. NEC-compliant T-bar clips supplied with all grid trim fixtures. See ceiling details on reverse. For continuous row mounting in hard ceilings use F trim and either EOR (end of row) or INT (intermediate mount) options. Contact your Columbia representative for compatibility information for specific ceiling types.

## SURFACE OR PENDANT MOUNT

Companion surface or pendant mount version (SM ceiling type) matches performance and aesthetics of recessed versions.

## CERTIFICATION

All luminaires are built to UL 1598 standards and bear appropriate UL and cUL or CSA labels. Damp location labeling is standard. Emergency-equipped fixtures labeled UL 924.

## ORDERING INFORMATION

## EXAMPLE VHC94-132GT-LS113-S-EU-1WW

VHC 94 -		- LS 1		- -		- 1WW -	
MODEL	NO. OF LAMPS	CEILING TYPE	NO. CELLS CROSSWISE	AIR FUNCTIONS	VOLTAGE	OPTIONS	
VHC VDT Parabolic	1 One 2 Two	GT Integral Cross Tee (Grid ends lay into standard T-bar, sides act as integral cross tee to support tile) F Overlap Flange G Lay-in (GT is typically recommended) SM Surface Mount (Static only)	1 One	S Static H Heat Extract Only (No dampers)	U 120V-277V 347 347V	F0735 35K 75 CRI T8 Lamps Installed F0835 35K 80 CRI T8 Lamps Installed F5835 35K 80 CRI T5 Lamps Installed GLR Fast Blow Fuse GMF Slow Blow Fuse EL Emergency Battery Pack MSEE Master/Satellite End-to-End	
SIZE	LAMP TYPE	LOUVER FINISH	NO. CELLS LENGTHWISE	BALLAST	DISTRIBUTION OPTIONS		
94 9" x 4'	28 4', T5: 28 Watt 32 4', T8: 32, 30, 28 or 25 Watt 54 4', T5HO: 54 or 51 Watt T8 only uses over/under lamp position	LS Low Iridescent Specular	13 Thirteen 15 Fifteen (132 versions meet IES RP-1 on room side)	E Electronic T8, Instant Start (Std.) EP Electronic T5, Programmed Start (std. T5/T5HO, optional T8) ED Electronic dimming For dimming and other specific ballast vendor show as option	1WW Asymmetric Wall Wash		

## PHOTOMETRIC DATA

Test 10538 Test Date 6/10/03

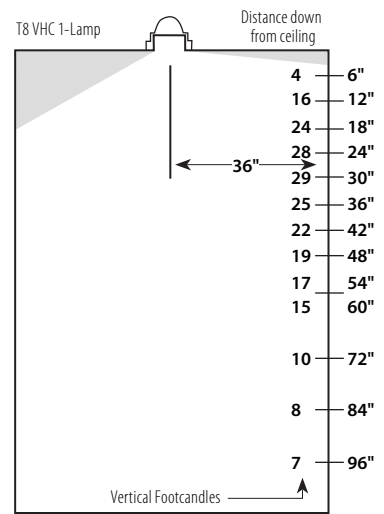
### LUMINAIRE DATA

Luminaire	VHC94-132G-LS113-EB8-1WW VHC Parabolic 9" x 48" 1-Lamp with 1 x 13 Cell Specular Asymmetric Louver
Ballast	B2321120
Ballast Factor	1.15
Lamp	FO32/741
Lumens per Lamp	2850
Watts	35
Shielding Angle	N/A

### ZONAL LUMEN SUMMARY

Zone	Lumens	% Lamp	% Fixt.
0-30	622	21.8	33.7
0-40	1087	38.2	59.0
0-60	1746	61.3	94.7
0-90	1845	64.7	100.0
0-180	1845	64.7	100.0

### WALL ILLUMINANCE

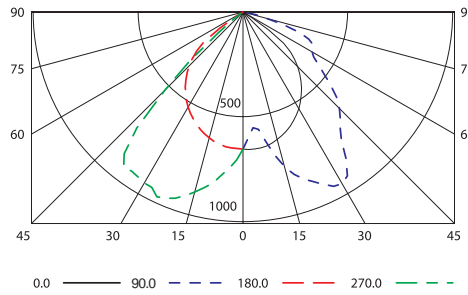


Footcandle levels shown are initial for a single fixture. For data on specific room sizes, mounting distances and floor reflectance contact your Columbia representative. Recommended mounting distance from the wall is 36". A uniform wash will be provided if the mounting distance from the wall is between 12" and 48".

### CANDELA VALUES (Candela/Sq. M.)

Average Luminance Angle	0.0	22.5	45.0	67.5	90.0
0	653	653	653	653	653
5	655	610	580	557	554
10	648	565	557	609	627
15	629	534	633	738	763
20	604	535	720	823	846
25	571	563	771	874	906
30	532	588	792	913	944
35	484	599	791	887	858
40	430	580	750	760	721
45	368	534	643	687	649
50	295	463	511	595	549
55	152	335	398	463	440
60	8	46	250	363	380
65	3	6	96	289	368
70	2	3	67	208	287
75	1	1	14	83	114
80	1	1	2	12	22
85	0	0	1	1	1
90	0	0	0	0	0

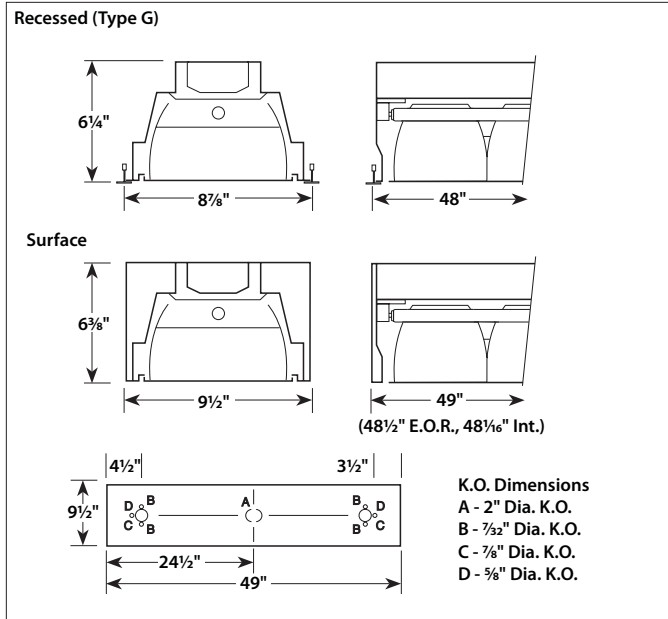
### INDOOR CANDELA PLOT



### ENERGY DATA

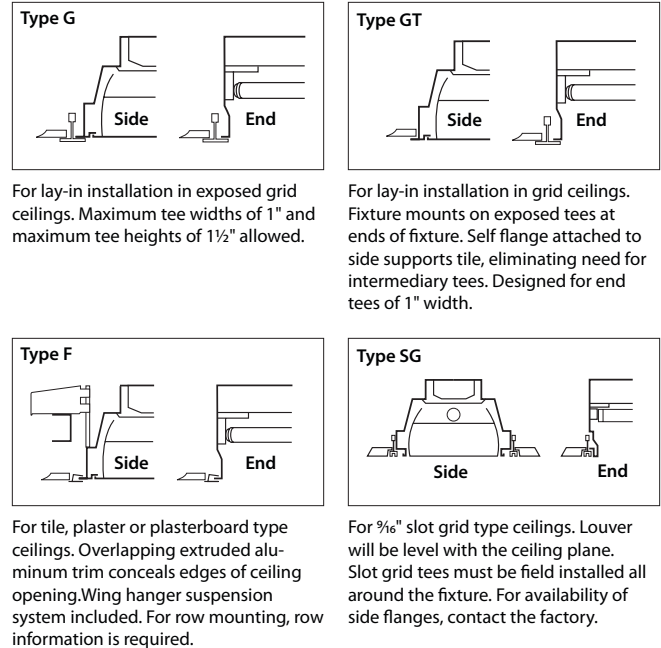
Total Luminaire Efficiency	64.7%
Luminaire Efficacy Rating (LER)	61
IESNA RP-1-1993 Compliance	Non-compliant
Comparative Yearly Lighting Energy Cost per 1000 Lumens	\$3.93 based on 3000 hrs. and \$0.08 per KWH

### DIMENSIONAL DATA



**NOTE:** All dimensions are in inches; dimensions and specifications are subject to change without notice. Please consult factory or check sample for verification.

### CEILING COMPATIBILITY



Flange kit rough in dimensions for single unit only: 9 7/8" x 48 1/8"