

**FEATURES**

- Precision optical system produces an efficient luminaire without sacrificing high visual comfort
- Completely recessed, provides a clean ceiling while providing soft, uniform indirect illumination in rooms with ceilings as low as 8 feet
- Available for use with T8, T5, or T5HO linear fluorescent lamps
- White powder coat finish, painted after fabrication
- Ease of installation and maintenance
- Companion louvered (STRL), center basket (STR), and pendant (STP) models available

**PROJECT INFORMATION**

Project Name \_\_\_\_\_

Type \_\_\_\_\_

Catalog No. \_\_\_\_\_

Date \_\_\_\_\_

**CONSTRUCTION**

Luminaire housing and end caps are die formed code gauge cold rolled steel. The aluminum reflector is profiled to a precision curve and finished with matte white paint for a soft, uniform indirect illumination. Matte white perforated light basket backed by opal acrylic overlay snaps securely into place and hinges down for ease of lamp replacement. Thermoplastic light traps snap into the housing at both ends of the basket to prevent light leaks.

**FINISH**

Custom formulated soft non-glare white powder coat finish on the light basket and reflector. Gloss white finish on housing.

**SHIELDING**

A perforated metal light basket (46% opening) with an opal acrylic overlay is standard. See STRL and STP models for other shielding options.

**INSTALLATION**

An access plate is furnished with each luminaire for fast wiring access from the plenum. No need to open fixture.

**ELECTRICAL**

Standard class "P", thermally protected, auto-resetting HPF ballast, sound rated A. All ballast leads extend a minimum of 6" through access location. NEC/CEC-compliant ballast disconnect is standard.

**CEILING COMPATIBILITY**

Luminaire is available to fit most standard ceiling types. NEC-compliant T-Bar clips supplied with all grid trim fixtures. G trim fixtures used in SG ceilings require T-Bar clip accessory. See ceiling details on reverse. For hard ceilings order G trim and FK flange accessory. Assemble then support FK accessory at ceiling plane using tie wires (by others). Contact your Columbia representative for compatibility information for specific ceiling types or for continuous row applications in hard ceilings.

**SURFACE OR PENDANT MOUNT**

Attractive surface mount units available to match performance and aesthetics of recessed models.

**CERTIFICATION**

All luminaires are built to UL 1598 standards and bear appropriate UL and cUL or CSA labels. Damp location labeling is standard. Emergency-equipped fixtures labeled UL 924.

**ORDERING INFORMATION**

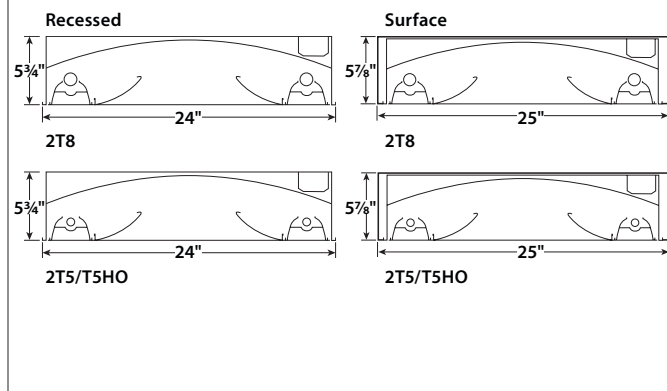
**EXAMPLE STSL24-232G-LSMPO-EU**

<b>MODEL</b> STSL Stratus Side Basket with Louver	<b>NO. OF LAMPS IN CROSS SECTION</b> 2 Two 4 Four	<b>CEILING TYPE</b> G Grid Lay-in SG Slot Grid SM Surface Mount	<b>SHIELDING</b> MPO Metal Perf w/Overlay	<b>AIR FUNCTION</b> Blank Static A Air Handling	<b>VOLTAGE</b> U 120V-277V 347 347V	<b>OPTIONS</b> GLR Fast Blow Fuse GMF Slow Blow Fuse EL Emergency Battery Pack NYCU NYC Compliant, Union Made
<b>SIZE</b> 24 2' x 4'	<b>LAMP TYPE</b> 28 4', T5: 28 Watt 32 4', T8: 32, 30, 28 or 25 Watt 54 4', T5HO: 54 or 51 Watt	<b>LOUVER FINISH</b> LS Low Iridescent Specular Parabolic Louver MA Matte Anodized Low Iridescent Semi-Specular Aluminum M4R 95% Reflective Specular Aluminum GW Gloss White Enamel	<b>BALLAST</b> E Electronic T8, Instant Start ED Electronic Dimming T8 and T5 EP Electronic T5, T5HO, or T8, Programmed Start	<b>ACCESSORIES (ORDER SEPARATELY)</b> FK24 2' x 4' Single Flange Kit		

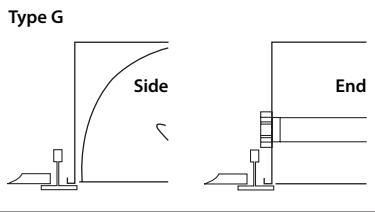
**PHOTOMETRIC DATA - CONTACT FACTORY**

**DIMENSIONAL DATA**

2' x 4', 2-lamp, lay-in



**CEILING COMPATIBILITY**

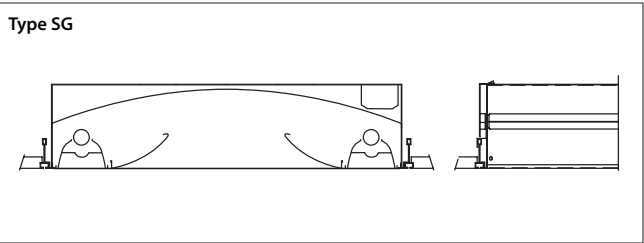
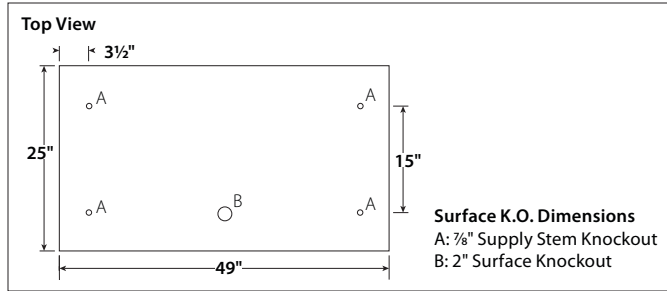


For lay-in installation in exposed grid ceilings. Maximum tee widths of 1" and maximum tee heights of 1 1/2" allowed.



For hard ceiling applications, order FK24 flange kit. Flange kit wires directly into concealed ceiling opening for a clean, finished appearance.

**Flange kit cut out dimension for single unit only: 24" x 48 7/8"**  
For row configurations contact your local Columbia Lighting representative.



For 3/16" slot grid type ceilings. Luminaire will be level with the ceiling plane. Slot grid tees must be field installed all around the fixture.

**NOTE:** All dimensions are in inches; dimensions and specifications are subject to change without notice. Please consult factory or check sample for verification.