

FEATURES

- Precision optical system produces an efficient luminaire without sacrificing high visual comfort
- Completely recessed, provides a clean ceiling while providing soft, uniform indirect illumination in rooms with ceilings as low as 8 feet
- Tandem-mounted twin tube lamps provide efficient high lumen package for high mounting
- Light basket and reflectors are finished with a matte white powder coat
- Ease of installation and maintenance
- Choice of parabolic or straight bladed louvers in variety of finishes and shielding angles
- Companion perforated basket (STR), side basket (STS, STSL) and pendant STP models also available

PROJECT INFORMATION

Project Name _____

Type _____

Catalog No. _____

Date _____

CONSTRUCTION

Luminaire housing and end caps are die formed code gauge cold rolled steel. The aluminum reflector is profiled to a precision curve and finished with matte white paint for soft, uniform indirect illumination. Choice of aluminum parabolic or steel straight blade baffle insets in perforated basket backed by opal acrylic overlay. Thermoplastic light traps snap into the housing at both ends of the basket to prevent light leaks.

CEILING COMPATIBILITY

Luminaire is available to fit most standard ceiling types. NEC-compliant T-Bar clips supplied with all grid trim fixtures. G trim fixtures used in SG ceilings require T-Bar clip accessory. See ceiling details on reverse. For hard ceilings order G trim and FK flange accessory. Assemble then support FK accessory at ceiling plane using tie wires (by others). Contact your Columbia representative for compatibility information for specific ceiling types or for continuous row applications in hard ceilings.

INSTALLATION

An access plate is furnished with each luminaire for fast wiring access from the plenum. No need to open fixture.

CERTIFICATION

All luminaires are built to UL 1598 standards and bear appropriate UL and cUL or CSA labels. Damp location labeling is standard. Emergency-equipped fixtures labeled UL 924.

ELECTRICAL

Standard class "P," thermally protected, auto-resetting HPF ballast, sound rated A. All ballast leads extend a minimum of 6" through access location. NEC/CEC-compliant ballast disconnect is standard.

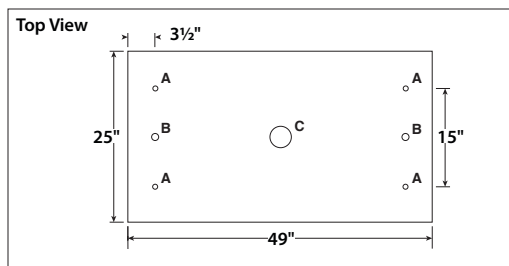
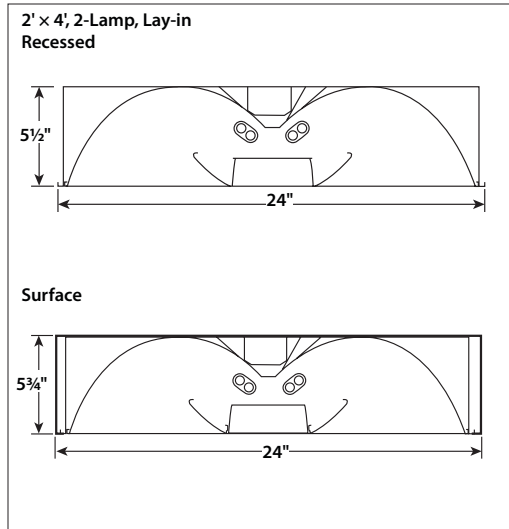
ORDERING INFORMATION

EXAMPLE STRL24-240TTG-WCBMPO-ETTU

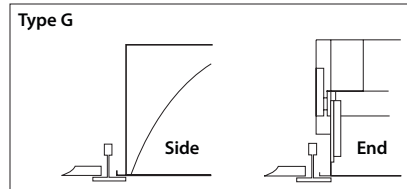
STRL		24	-	2	-	MPO	-	-	
MODEL		NO. OF LAMPS IN CROSS SECTION		CEILING TYPE		SHIELDING		VOLTAGE	
STRL Stratus Center Louver Recessed Indirect		2 Two		G Grid Lay-in SG Slot Grid SM Surface Mount		MPO Metal Perf w/Overlay		U 120V-277V 347 347V	
SIZE		LAMP TYPE		LOUVER TYPE		BALLAST		OPTIONS	
24 2' x 4'		40TT Twin Tube Compact, 2G11 Base: 40 Watt 50TT Twin Tube Compact, 2G11 Base: 50 Watt		High Efficiency (H) HLS Low Iridescent Specular Parabolic HMA Matte Anodized Low Iridescent Semi-Specular		ETT Electronic Twin Tube, Instant Start EPTT Electronic, Programmed Start		GLR Fast Blow Fuse GMF Slow Blow Fuse EL Emergency Battery Pack	
				White Steel Cross Baffle				ACCESSORIES (ORDER SEPARATELY)	
				WCB White Cross Baffle WPB White Perforated Cross Baffle				FK24 2' x 4' Single Flange Kit (Shipped separately)	

PHOTOMETRIC DATA – CONTACT FACTORY

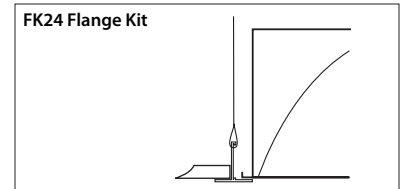
DIMENSIONAL DATA



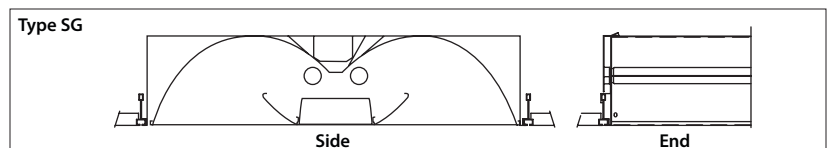
CEILING COMPATIBILITY



For lay-in installation in exposed grid ceilings. Maximum tee widths of 1" and maximum heights of 1 1/2" allowed.



For hard ceiling applications, fixtures must be ordered with a flange kit that wires directly into the concealed ceiling opening for a clean finished appearance. For row configurations contact your local Columbia Representative.



For 5/16" slot grid type ceilings. Luminaire will be level with the ceiling plane. Slot grid tees must be field installed all around the fixture.

Flange kit cut out dimension for single FK24 only: 24 3/8" x 48 3/8"

Surface K.O. Dimensions
A: 5/16" Mounting Knockout
B: 7/8" Supply Stem Knockout
C: 2" Surface K.O.

NOTE: All dimensions are in inches; dimensions and specifications are subject to change without notice. Please consult factory or check sample for verification.