

FEATURES

- t Precision optical system produces an efficient luminaire without sacrificing high visual comfort
- t Completely recessed, provides a clean ceiling while providing soft, uniform indirect illumination in rooms with ceilings as low as 8 feet
- t Available for use with T8, T5, or T5HO linear fluorescent lamps
- t Light basket and reflectors are finished with a matte white powder coat
- t Ease of installation and maintenance
- t Choice of parabolic or straight bladed louvers in variety of finishes and shielding angles
- t Companion perforated basket (STR), side basket (STS, STSL) and pendant STP models also available

PROJECT INFORMATION

Project Name _____

Type _____

Catalog No. _____

Date _____

CONSTRUCTION

Luminaire housing and end caps are die formed code gauge cold rolled steel. The aluminum reflector is profiled to a precision curve and finished with matte white paint for soft, uniform indirect illumination. Choice of aluminum parabolic or steel straight blade blade insets in perforated basket backed by opal acrylic overlay. Thermoplastic light traps snap into the housing at both ends of the basket to prevent light leaks.

CEILING COMPATIBILITY

Luminaire is available to fit most standard ceiling types. NEC-compliant T-Bar clips supplied with all grid trim fixtures. G trim fixtures used in SG ceilings require T-Bar clip accessory. See ceiling details on reverse. For hard ceilings order G trim and FK range accessory. Assemble then support FK accessory at ceiling plane using tie wires (by others). Contact your Columbia representative for compatibility information for specific ceiling types or for continuous row applications in hard ceilings.

INSTALLATION

An access plate is furnished with each luminaire for fast wiring access from the plenum. No need to open fixture.

CERTIFICATION

All luminaires are built to UL 1598 standards and bear appropriate UL and cUL or CSA labels. Damp location labeling is standard. Emergency-equipped fixtures labeled UL 924.

ELECTRICAL

Standard class P, thermally protected, auto-resetting HPF ballast, sound rated A. All ballast leads extend a minimum of 6" through access location. NEC/CEC-compliant ballast disconnect is standard.

ORDERING INFORMATION

EXAMPLE STRL24-232G-WCBMPO-EU

STRL		24	-	2	-	MPO	-	-			
MODEL		NO. OF LAMPS		CEILING TYPE		SHIELDING		VOLTAGE		OPTIONS	
STRL Stratus Center Louver Recessed Indirect		2 Two		G Grid Lay-in SG Slot Grid SM Surface Mount		MPO Metal Perf w/Overlay		U 120V-277V 347 347V		GLR Fast Blow Fuse GMF Slow Blow Fuse EL Emergency Battery Pack	
SIZE		LAMP TYPE		LOUVER TYPE		BALLAST		ACCESSORIES (ORDER SEPARATELY)			
24 2' x 4'		28 4', T5: 28 Watt 32 4', T8: 32, 30, 28 or 25 Watt 54 4', T5HO: 54 or 51 Watt		High Efficiency (H) HLS Low Iridescent Specular Parabolic HMA Matte Anodized Low Iridescent Semi-Specular		E Electronic T8, Instant Start ED Electronic Dimming T8 and T5 EP Electronic T5, T5HO, or T8, Programmed Start*		FK24 2' x 4' Single Flange Kit (Shipped separately)			
				White Steel Cross Baffle WCB White Cross Baffle WPB White Perforated Cross Baffle		*Contact factory for availability.					



Test 13433 Test Date 05/28/2003

PHOTOMETRIC DATA

LUMINAIRE DATA

Luminaire	STRL24-332G-WCBMPO-EB8 Stratus Specialty 2' x 4' 3-Lamp with White Cross Basket and Perforated Side Baskets
Ballast	REL3P32SC
Ballast Factor	0.87
Lamp	F32T8
Lumens per Lamp	2900
Watts	80
Mounting	Recessed
Shielding Angle	0° = 24 90° = 40
Spacing Criterion	0° = 1.18 90° = 1.17
Luminous Opening in Feet	Length: 3.92 Width: 1.89 Height: 0.00

ZONAL LUMEN SUMMARY

Zone	Lumens	% Lamp	% Fixt.
0-30	2011	23.1	30.2
0-40	3209	36.9	48.2
0-60	5338	61.4	80.3
0-90	6650	76.4	100.0
0-180	6650	76.4	100.0

ENERGY DATA

Total Luminaire Efficiency	76.4%
Luminaire Efficacy Rating (LER)	72
IESNA RP-1-1993 Compliance	Noncompliant
Comparative Yearly Lighting Energy Cost per 1000 Lumens	\$3.33 based on 3000 hrs. and \$0.08 per KWH

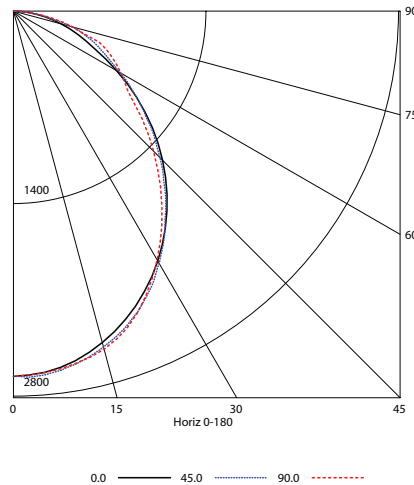
COEFFICIENTS OF UTILIZATION (%)

RCR	RW	80			70			50			0		
		70	50	30	10	70	50	30	10	50	30	10	0
1	83	80	77	74	81	78	75	72	75	72	70	64	
2	76	70	65	60	74	68	64	60	66	62	58	54	
3	69	62	55	51	68	60	55	50	58	53	49	46	
4	64	55	48	43	62	54	48	43	52	47	42	40	
5	59	49	42	37	57	48	42	37	47	41	37	34	
6	54	44	38	33	53	44	37	33	42	37	32	30	
7	51	40	34	29	49	40	34	29	39	33	29	27	
8	47	37	31	26	46	36	30	26	35	30	26	24	
9	44	34	28	24	43	34	28	24	33	27	23	22	
10	41	31	25	22	40	31	25	21	30	25	21	20	

RCR = Room Cavity Ratio

RC = Effective Ceiling Cavity Reflectance RW = Wall Reflectance

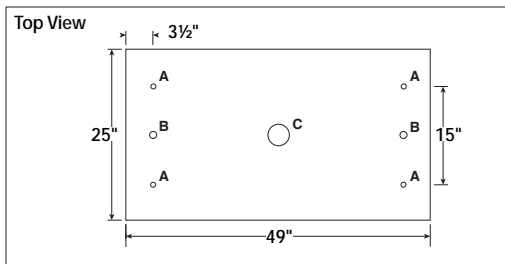
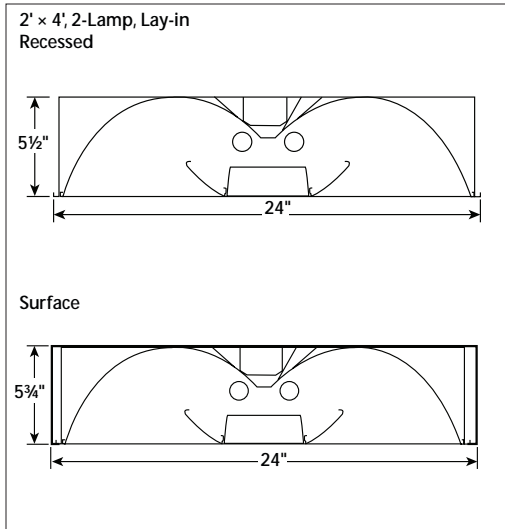
INDOOR CANDELA PLOT



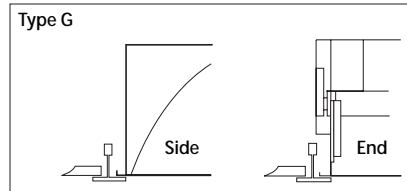
AVG. LUMINANCE (Candela/Sq. M.)

	0.0	22.5	45.0	67.5	90.0
0	3859	3859	3859	3859	3859
30	3520	3543	3555	3516	3505
40	3294	3319	3258	3181	3154
45	3150	3181	3096	3000	2959
50	2981	3026	2938	2823	2764
55	2766	2865	2774	2619	2571
60	2513	2711	2609	2586	2624
65	2255	2561	2510	2661	2716
70	2128	2413	2515	2748	2821
75	2021	2273	2504	2380	2464
80	1883	2134	2058	2326	2318
85	1684	1534	1867	2000	1850

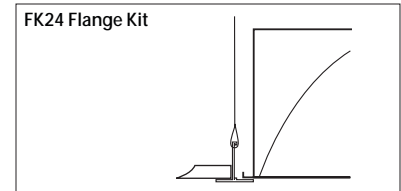
DIMENSIONAL DATA



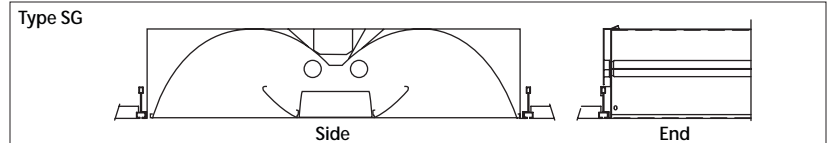
CEILING COMPATIBILITY



For lay-in installation in exposed grid ceilings. Maximum tee widths of 1" and maximum heights of 1 1/2" allowed.



For hard ceiling applications, fixtures must be ordered with a flange kit that wires directly into the concealed ceiling opening for a clean finished appearance. For row configurations contact your local Columbia Representative.



For 9/16" slot grid type ceilings. Luminaire will be level with the ceiling plane. Slot grid tees must be installed all around the fixture.

Flange kit cut out dimension for single FK24 only: 2438" x 4838"

Surface K.O. Dimensions
A: 5/16" Mounting Knockout
B: 7/8" Supply Stem Knockout
C: 2" Surface K.O.

NOTE: All dimensions are in inches; dimensions and specifications are subject to change without notice. Please consult factory or check sample for verification.