

FEATURES

- t Precision optical system produces an efficient luminaire without sacrificing high visual comfort
- t Completely recessed, provides a clean ceiling while providing soft, uniform indirect illumination in rooms with ceilings as low as 8 feet
- t Utilizes the popular and very efficient twin tube lamp
- t Light basket and reflectors are finished with a matte white powder coat
- t Ease of installation and maintenance
- t Choice of parabolic or straight bladed louvers in variety of finishes and shielding angles
- t Companion perforated basket (STR), side basket (STS, STSL) and pendant STP models also available.

CONSTRUCTION

Luminaire housing and end caps are die formed code gauge cold rolled steel. The aluminum reflector is profiled to a precision curve and finished with matte white paint for soft, uniform indirect illumination. Choice of aluminum parabolic or steel straight blade blade insets in perforated basket backed by opal acrylic overlay. Thermoplastic light traps snap into the housing at both ends of the basket to prevent light leaks.

INSTALLATION

An access plate is furnished with each luminaire for fast wiring access from the plenum. No need to open texture.

ELECTRICAL

Standard class P, thermally protected, auto-resetting HPF ballast, sound rated A. All ballast leads extend a minimum of 6" through access location. NEC/CEC-compliant ballast disconnect is standard.

CEILING COMPATIBILITY

Luminaire is available to fit most standard ceiling types. NEC-compliant T-Bar clips supplied with all grid trim textures. G trim textures used in SG ceilings require T-Bar clip accessory. See ceiling details on reverse. For hard ceilings order G trim and FK range accessory. Assemble then support FK accessory at ceiling plane using tie wires (by others). Contact your Columbia representative for compatibility information for specific ceiling types or for continuous row applications in hard ceilings.

CERTIFICATION

All luminaires are built to UL 1598 standards and bear appropriate UL and cUL or CSA labels. Damp location labeling is standard. Emergency-equipped textures labeled UL 924.

ORDERING INFORMATION

EXAMPLE STRL22-240TTG-WCBMPO-EPTTU

STRL	22	-	2	-	MPO	-	-	-
MODEL STRL Stratus	NO. OF LAMPS 2 Two							
	LAMP TYPE				BALLAST			
	40TT Twin Tube Compact, 2G11 Base: 40 Watt				ETT Electronic Twin Tube, Instant Start			
	50TT Twin Tube Compact, 2G11 Base: 50 Watt				EPTT Electronic, Programmed Start			

PHOTOMETRIC DATA

Test 13165 Test Date 06/03/2002

LUMINAIRE DATA

Luminaire	STRL22-240TTG-HLSMPO-EBTT Stratus Recessed Indirect 2' x 2' 2-Lamp with 1 x 7 Cell Specular Louver and MPO Baskets
Ballast	RCN2TTP40SC
Ballast Factor	0.85
Lamp	F40BX
Lumens per Lamp	3150
Watts	73
Mounting	Recessed
Shielding Angle	0°= 31 90°= 43
Spacing Criterion	0°= 1.22 90°= 1.13
Luminous Opening in Feet	Length: 1.92 Width: 1.88 Height: 0.00

ZONAL LUMEN SUMMARY

Zone	Lumens	% Lamp	% Fixt.
0-30	1529	24.3	34.2
0-40	2420	38.4	54.1
0-60	3906	62.0	87.3
0-90	4472	71.0	100.0
0-180	4472	71.0	100.0

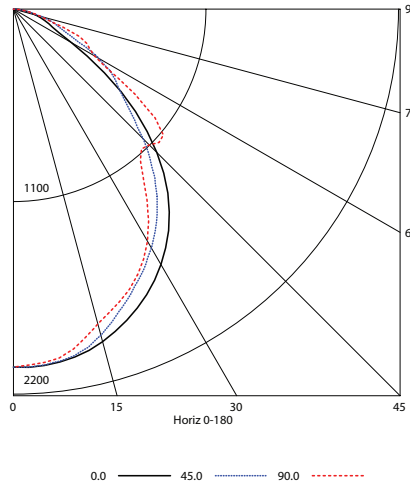
ENERGY DATA

Total Luminaire Efficiency	71.0%
Luminaire Efficacy Rating (LER)	52
IESNA RP-1-1993 Compliance	Noncompliant
Comparative Yearly Lighting Energy Cost per 1000 Lumens	\$4.62 based on 3000 hrs. and \$0.08 per KWH

COEFFICIENTS OF UTILIZATION (%)

RCR	RW	80			70			50			0		
		70	50	30	70	50	30	70	50	30	70	50	30
1	78	75	73	70	76	74	71	69	71	69	67	62	
2	72	67	62	59	70	65	62	58	63	60	57	53	
3	66	59	54	50	65	58	54	50	56	52	49	46	
4	61	53	48	43	60	52	47	43	51	46	42	40	
5	56	48	42	38	55	47	42	38	46	41	37	35	
6	52	44	38	33	51	43	37	33	42	37	33	31	
7	49	40	34	30	48	39	34	30	38	33	29	28	
8	46	36	31	27	44	36	31	27	35	30	27	25	
9	43	34	28	24	42	33	28	24	32	28	24	23	
10	40	31	26	22	39	31	26	22	30	25	22	21	

INDOOR CANDELA PLOT



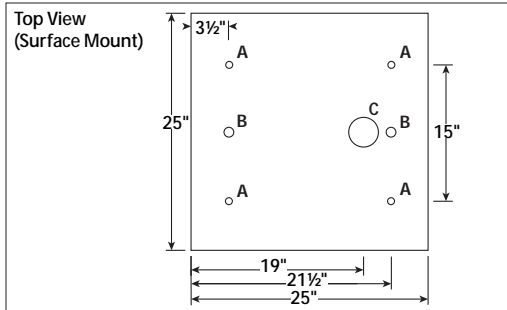
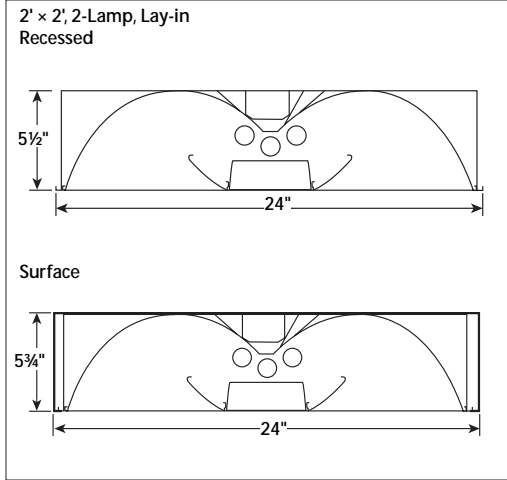
AVG. LUMINANCE (Candela/Sq. M.)

Average Luminance Angle	0.0	22.5	45.0	67.5	90.0
0	6098	6098	6098	6098	6098
30	5802	5602	5427	5344	5272
40	5341	5053	4893	4547	4391
45	4884	4635	4424	4335	4626
50	4222	4059	3915	4704	5187
55	3296	3364	3707	4450	4404
60	2272	2529	3370	3227	3191
65	1743	1962	2547	2914	3253
70	1657	1866	2249	2590	2616
75	1544	1740	1982	1797	1843
80	1374	1443	1477	1546	1563
85	1061	1026	1129	1129	1129

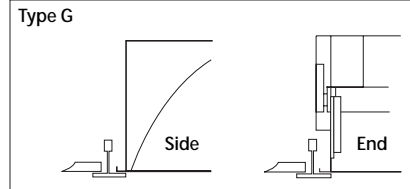
RCR = Room Cavity Ratio

RC = Effective Ceiling Cavity Reflectance RW = Wall Reflectance

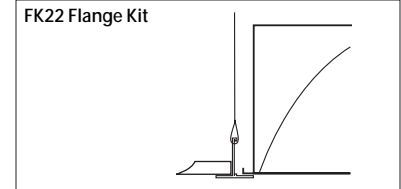
DIMENSIONAL DATA



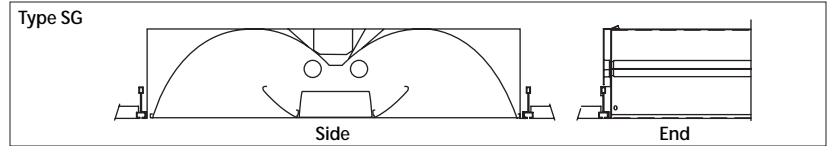
CEILING COMPATIBILITY



For lay-in installation in exposed grid ceilings. Maximum tee widths of 1" and maximum heights of 1 1/2" allowed.



For hard ceiling applications, fixtures must be ordered with a flange kit that wires directly into the concealed ceiling opening for a clean finished appearance. For row configurations contact your local Columbia Representative.



For 9/16" slot grid type ceilings. Luminaire will be level with the ceiling plane. Slot grid tees must be installed all around the fixture.

Flange kit cut out dimension for single FK22 only: 243/8" x 243/8"

Surface K.O. Dimensions
 A: 5/16" Mounting Knockout
 B: 7/8" Supply Stem Knockout
 C: 2" Surface K.O.

NOTE: All dimensions are in inches; dimensions and specifications are subject to change without notice. Please consult factory or check sample for verification.