

FEATURES

- t Precision optical system produces an efficient luminaire without sacrificing high visual comfort
- t Completely recessed, provides a clean ceiling while providing soft, uniform indirect illumination in rooms with ceilings as low as 8 feet
- t Available for use with T8, T5, or T5HO linear fluorescent lamps
- t Light basket and reflectors are finished with a matte white powder coat
- t Ease of installation and maintenance
- t Choice of parabolic or straight bladed louvers in variety of finishes and shielding angles
- t Companion perforated basket (STR), side basket (STS, STSL) and pendant STP models also available

CONSTRUCTION

Luminaire housing and end caps are die formed code gauge cold rolled steel. The aluminum reflector is profiled to a precision curve and finished with matte white paint for soft, uniform indirect illumination. Choice of aluminum parabolic or steel straight blade baffle insets in perforated basket backed by opal acrylic overlay. Thermoplastic light traps snap into the housing at both ends of the basket to prevent light leaks.

INSTALLATION

An access plate is furnished with each luminaire for fast wiring access from the plenum. No need to open structure.

ELECTRICAL

Standard class P, thermally protected, auto-resetting HPF ballast, sound rated A. All ballast leads extend a minimum of 6" through access location. NEC/CEC-compliant ballast disconnect is standard.

CEILING COMPATIBILITY

Luminaire is available to fit most standard ceiling types. NEC-compliant T-Bar clips supplied with all grid trim structures. G trim structures used in SG ceilings require T-Bar clip accessory. See ceiling details on reverse. For hard ceilings order G trim and FK flange accessory. Assemble then support FK accessory at ceiling plane using tie wires (by others). Contact your Columbia representative for compatibility information for specific ceiling types or for continuous row applications in hard ceilings.

CERTIFICATION

All luminaires are built to UL 1598 standards and bear appropriate UL and cUL or CSA labels. Damp location labeling is standard. Emergency-equipped structures labeled UL 924.

ORDERING INFORMATION

EXAMPLE STRL22-217G-WCBMPO-EU

STRL		22	-	2	-	MPO	-	-			
MODEL		NO. OF LAMPS		CEILING TYPE		SHIELDING		VOLTAGE		OPTIONS	
STRL Stratus Center Louver Recessed Indirect		2 Two		G Grid Lay-in SG Slot Grid SM Surface Mount		MPO Metal Perf w/Overlay		U 120V-277V 347 347V		GLR Fast Blow Fuse GMF Slow Blow Fuse EL Emergency Battery Pack	
SIZE		LAMP TYPE		LOUVER TYPE		BALLAST		ACCESSORIES (ORDER SEPARATELY)			
22' 2' x 2'		17 2', T8: 17 Watt 14 2', T5: 14 Watt 24 2', T5HO: 24 Watt		High Efficiency (H) HLS Low Iridescent Specular Parabolic HMA Matte Anodized Low Iridescent Semi-Specular White Steel Cross Baffle WCB White Cross Baffle WPB White Perforated Cross Baffle		E Electronic T8, Instant Start ED Electronic Dimming T8 and T5 EP Electronic T5, T5HO, or T8, Programmed Start* *Contact factory for availability.		FK22 2' x 2' Single Flange Kit (Shipped separately)			

Test 13153 Test Date 05/21/2002

PHOTOMETRIC DATA

LUMINAIRE DATA

Luminaire	STRL22-217G-LSMPO-E Stratus Recessed Indirect 2' x 2' 2-Lamp with 1 x 7 Cell Specular Louver and Perforated Side Baskets with Overlay
Ballast	REL2P32SC
Ballast Factor	0.87
Lamp	F17T8
Lumens per Lamp	1400
Watts	34
Mounting	Recessed
Shielding Angle	0°= 90 90°= 90
Spacing Criterion	0°= 1.21 90°= 1.04
Luminous Opening in Feet	Length: 1.92 Width: 1.88 Height: 0.00

ZONAL LUMEN SUMMARY

Zone	Lumens	% Lamp	% Fixt.
0-30	648	23.1	32.7
0-40	1033	36.9	52.1
0-60	1709	61.1	86.2
0-90	1984	70.9	100.0
0-180	1984	70.9	100.0

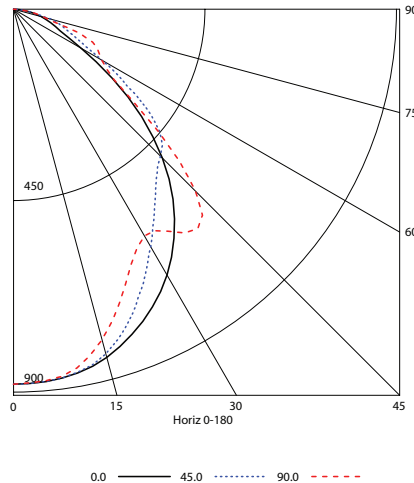
ENERGY DATA

Total Luminaire Efficiency	70.9%
Luminaire Efficacy Rating (LER)	51
ANSI/IESNA RP-1-2004 Compliance	Yes-VDT Normal Use
Comparative Yearly Lighting Energy Cost per 1000 Lumens	\$4.71 based on 3000 hrs. and \$0.08 per KWH

COEFFICIENTS OF UTILIZATION (%)

RCR	RC	80				70				50				0
		RW	70	50	30	10	70	50	30	10	50	30	10	0
1	78	75	72	70	76	73	71	69	70	68	67	61	0	
2	72	66	62	58	70	65	61	58	63	59	56	52	0	
3	66	59	54	49	64	58	53	49	56	52	48	45	0	
4	61	53	47	43	59	52	46	42	50	45	42	39	0	
5	56	47	41	37	55	47	41	37	45	40	36	34	0	
6	52	43	37	33	51	42	37	33	41	36	32	30	0	
7	48	39	33	29	47	39	33	29	38	32	29	27	0	
8	45	36	30	26	44	35	30	26	34	29	26	24	0	
9	42	33	27	24	41	33	27	24	32	27	23	22	0	
10	40	31	25	22	39	30	25	22	29	25	21	20	0	

INDOOR CANDELA PLOT



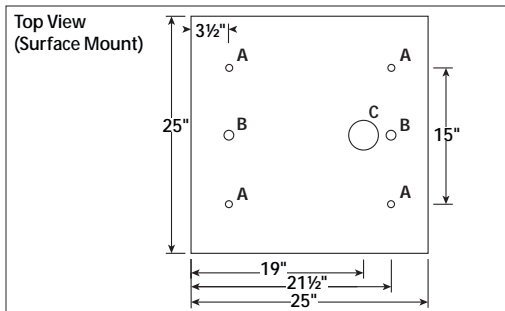
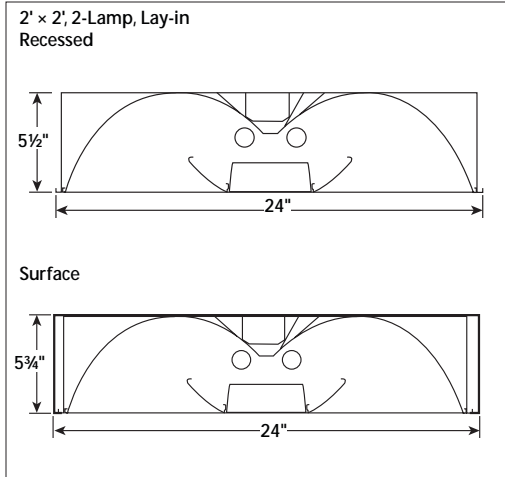
AVG. LUMINANCE (Candela/Sq. M.)

Average Luminance Angle	0.0	22.5	45.0	67.5	90.0
0	2627	2627	2627	2627	2627
30	2483	2410	2218	2128	2118
40	2269	2118	2032	2421	2620
45	2083	1931	2058	2488	2547
50	1823	1707	2078	2148	2032
55	1471	1471	1825	1612	1497
60	1091	1205	1419	1384	1425
65	854	974	1157	1369	1531
70	811	915	1090	1378	1430
75	772	864	1106	864	876
80	704	738	738	773	773
85	582	547	582	616	582

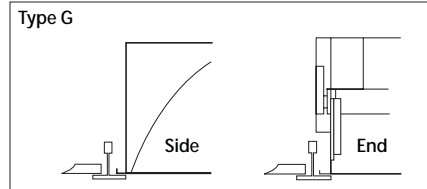
RCR = Room Cavity Ratio

RC = Effective Ceiling Cavity Reflectance RW = Wall Reflectance

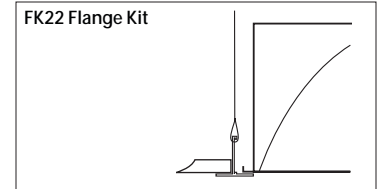
DIMENSIONAL DATA



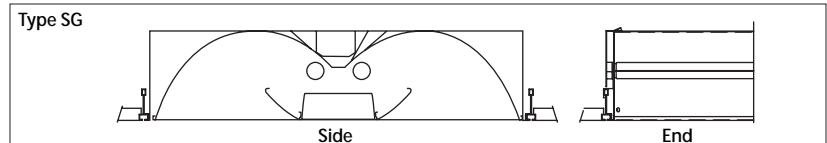
CEILING COMPATIBILITY



For lay-in installation in exposed grid ceilings. Maximum tee widths of 1" and maximum heights of 1/2" allowed.



For hard ceiling applications, fixtures must be ordered with a flange kit that wires directly into the concealed ceiling opening for a clean finished appearance. For row configurations contact your local Columbia Representative.



For 9/16" slot grid type ceilings. Luminaire will be level with the ceiling plane. Slot grid tees must be field installed all around the fixture.

Flange kit cut out dimension for single FK22 only: 243/8" x 243/8"

Surface K.O. Dimensions
 A: 5/16" Mounting Knockout
 B: 7/8" Supply Stem Knockout
 C: 2" Surface K.O.

NOTE: All dimensions are in inches; dimensions and specifications are subject to change without notice. Please consult factory or check sample for verification.