

**PROJECT INFORMATION**

Project Name \_\_\_\_\_

Type \_\_\_\_\_

Catalog No. \_\_\_\_\_

Date \_\_\_\_\_

**FEATURES**

- Optical performance designed for T8 and T5 lamp technology
- 2½" minimum spacing from bottom of lamp to bottom of lens
- Mechanical light seal
- Mitered corners on door present a clean uninterrupted appearance
- Spring loaded latches optional
- Rolled fixture edges reduce risk of injury during fixture handling and installation
- Integral T-Bar clips quickly to secure fixture to grid system without the need for time-consuming loose parts
- Snap-in ballast covers can be removed with lamps installed
- Corner hinging for easy insertion and removal of door frame from either side
- Optional flush or regressed aluminum shielding frames available with positive action or spring loaded latches
- Housing ends secured by unique corner interlock and screws

**HOUSING**

Heavy gauge steel. Die formed for extra rigidity. Grid housings are designed for installation in standard 1½" T-Bar ceilings. Integral T-Bar clips are located at the end of the housing. Flanged housings for hard ceilings feature overlap flange trim and wing hangers.

**SHIELDING**

100% clear prismatic acrylic, extruded and roll-embossed, diagonally oriented female prisms, unless otherwise specified.

**BALLASTS**

Energy efficient, thermally protected, automatic resetting, Class P, high power factor, sound rated A, magnetic or electronic ballasts.

**CERTIFICATION**

All luminaires are built to UL 1598 standards and bear appropriate UL and cUL or CSA labels. Damp location labeling is standard. Emergency-equipped fixtures labeled UL 924.

**FINISH**

All parts pre-painted with high gloss baked white enamel, minimum reflectance 86%, applied over iron phosphate pretreatment for maximum adhesion and rust resistance.

**ORDERING INFORMATION**

**EXAMPLE ST824-432G-FSA12-4EU-F0741-C388**

ST8		24 - 4							
MODEL	NO. OF LAMPS	CEILING TYPE	DOOR STYLE	VOLTAGE	OPTIONS	SIZE	LAMP TYPE	SHIELDING	BALLAST
ST8 Shallow Specification Troffer	4 Four	G Inverted T-Bar F Overlap Flange	FS Flush Steel FA Flush Aluminum RA Regressed Aluminum PS Premium Steel	U 120V-277V 347 347V	F0730 T8, 70CRI, 3000K Lamps, Furn/Inst. F0735 T8, 70CRI, 3500K Lamps, Furn/Inst. F0741 T8, 70CRI, 4100K Lamps, Furn/Inst. GLR Fast Blow Fuse EL Emergency Battery Pack PAF Paint After Fabrication SLL Spring Loaded Latches C388 ¾" Flex with 3 No. 18 Wires C384 ¾" Flex with 3 No. 14 Wires C488 ¾" Flex with 4 No. 18 Wires C424 ½" Flex with 4 No. 14 Wires M4R Miro®-4 Aluminum Reflector SAR Low Iridescent Specular Alum Reflector NYC NYC Compliant NYCU NYC Compliant, Union Label	24 2' x 4'	28 4', T5: 28 Watt 32 4', T8: 32, 30, 28 or 25 Watt 54 4', T5HO: 54 or 51 Watt	A12 Pattern 12 Acrylic 0.100" Nominal (Std.) A12.125 Pattern 12 Acrylic 0.125" Nominal A19 Pattern 19 Acrylic 0.15" Male Prism PC1 Silver Parabolic Louver ½" x ½" x ½" PC2 Silver Parabolic Louver 1½" x ½" x 1" For complete list of lenses and louvers, see Options and Accessories.	E Electronic T8, Instant Start 4E 4-Lamp Electronic T8, Instant Start EP Electronic T5 or T8, Programmed Start 4EP 4-Lamp Electronic T5HO (N/A 347V) or T8, Programmed Start For specific ballast vendor, show as option.

For a complete set of options, see Options and Accessories.

### PHOTOMETRIC DATA

Test 12582 Test Date 1/08/03

#### LUMINAIRE DATA

Luminaire	ST824-432G-FSA12-4E-PAF ST8 Lensed Troffer 2' x 4' 4-Lamp with A12 Lens
Ballast	B432120RH
Ballast Factor	0.88
Lamp	F32T8
Lumens per Lamp	2900
Total Input Watts	110
Shielding Angle	N/A
Spacing Criterion	0° = 1.22 90° = 1.30

#### ZONAL LUMEN SUMMARY

Zone	Lumens	%Lamp	%Fixt.
0-30	3127	27.0	32.4
0-40	5071	43.7	52.5
0-60	8253	71.1	85.4
0-90	9663	83.3	100.0
0-180	9663	83.3	100.0

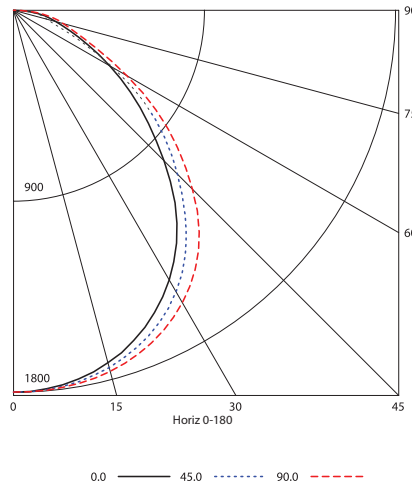
#### ENERGY DATA

Total Luminaire Efficiency	83.3%
Luminaire Efficacy Rating (LER)	77
IESNA RP-1-1993 Compliance	Noncompliant
Comparative Yearly Lighting Energy Cost per 1000 Lumens	\$3.12 based on 3000 hrs. and \$0.08 per KWH

#### COEFFICIENTS OF UTILIZATION (%)

RC	RW	80				70				50				0				
		70	50	30	10	70	50	30	10	50	30	10	0	70	50	30	10	
1	91	88	84	81	89	86	83	80	82	80	78	71						
2	84	77	72	68	82	76	71	67	73	69	66	61						
3	77	69	63	58	75	68	62	57	65	60	56	52						
4	71	62	55	49	69	60	54	49	58	53	48	46						
5	66	55	48	43	64	55	48	43	53	47	42	40						
6	61	50	43	38	59	49	43	38	48	42	38	35						
7	56	46	39	34	55	45	38	34	44	38	34	31						
8	53	42	35	30	51	41	35	30	40	34	30	28						
9	49	39	32	27	48	38	32	27	37	31	27	26						
10	46	36	29	25	45	35	29	25	34	29	25	23						

#### INDOOR CANDELA PLOT



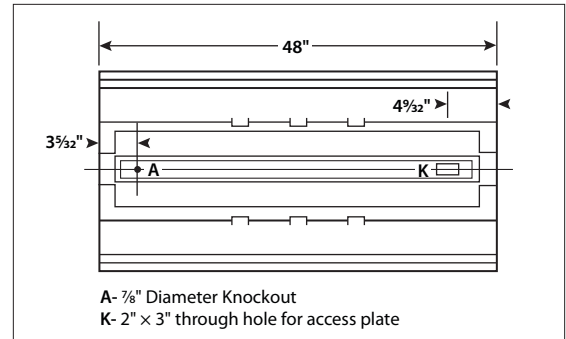
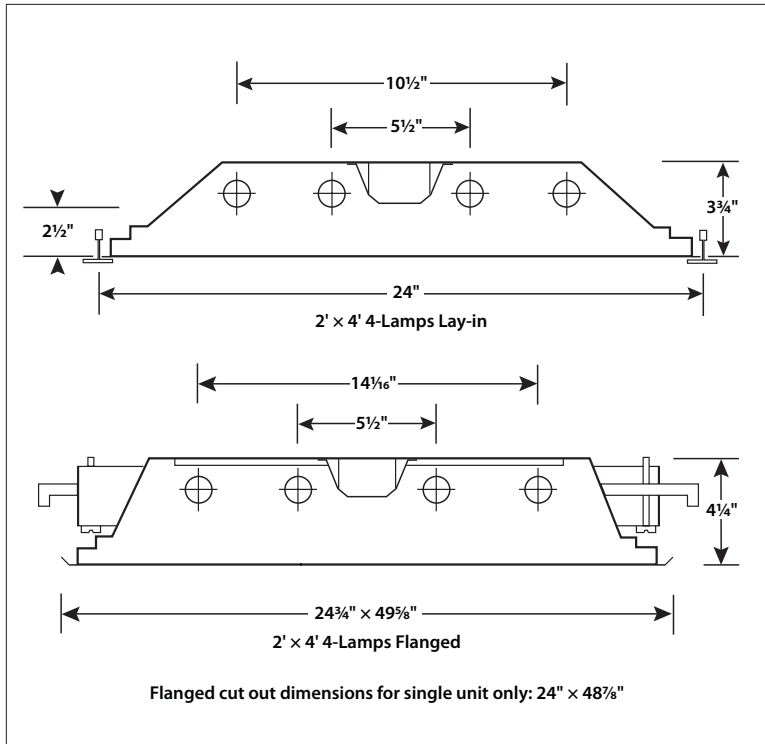
#### AVG. LUMINANCE (Candela/Sq. M.)

Average Luminance Angle	0.0	22.5	45.0	67.5	90.0
0	6124	6124	6124	6124	6124
30	5815	5920	6095	6239	6276
40	5237	5360	5547	5767	5832
45	4761	4953	5176	5372	5379
50	4351	4502	4747	4867	4884
55	3949	3979	4124	4221	4340
60	3462	3348	3292	3459	3697
65	3018	2755	2481	2813	3168
70	2871	2465	2023	2515	2944
75	3025	2470	2231	2536	3049
80	3104	2695	2561	2677	3246
85	3278	3012	2640	2924	3296

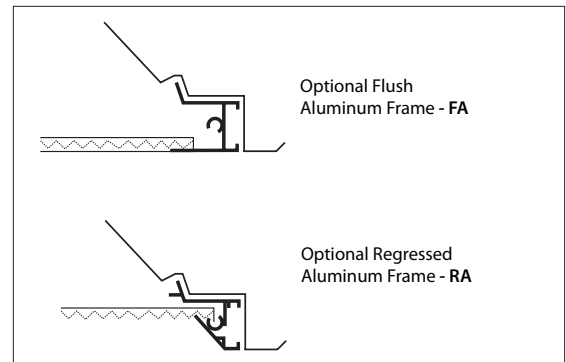
RCR = Room Cavity Ratio

RC = Effective Ceiling Cavity Reflectance RW = Wall Reflectance

#### DIMENSIONAL DATA



#### DOOR FRAMES



**NOTE:** All dimensions are in inches; dimensions and specifications are subject to change without notice. Please consult factory or check sample for verification.