

FEATURES

- Sturdy staggered striplight of quality construction
- Heavy die formed steel channel
- Available in nominal lengths from 2' to 8'
- Optional adjustable fixture features flexible length for easy installation, more even corner illumination
- Offset channel ends easily accept adjoining fixtures, provide even illumination without shadows
- Three inch overlapping, adjacent lamps provide continuous uniform illumination without shadows
- Available with one or two lamps in cross section
- Optional quick connect plugs allow easy in-row wiring

PROJECT INFORMATION

Project Name _____

Type _____

Catalog No. _____

Date _____

CONSTRUCTION

Heavy gauge cold rolled steel housings fully assembled. Channel cover provides room-side access to ballast. Channel ends offset 3".

FINISH

White painted parts are treated with a five stage Phosphate bonding process and finished with a baked white enamel.

INSTALLATION

Continuous row connectors included. See reference sheet "Rowlength Selector" for assistance in creating a fixture bill of material by row length.

BALLASTS

Energy efficient, thermally protected, automatic resetting, Class P, high power factor, sound rated A, unless otherwise specified. CEE NEMA Premium compliant.

ELECTRICAL

Standard class "P", thermally protected, auto-resetting HPF ballast, sound rated A. CEE NEMA Premium compliant. All ballast leads extend a minimum of 6" through access location. NEC/CEC-compliant ballast disconnect is standard.

CERTIFICATION

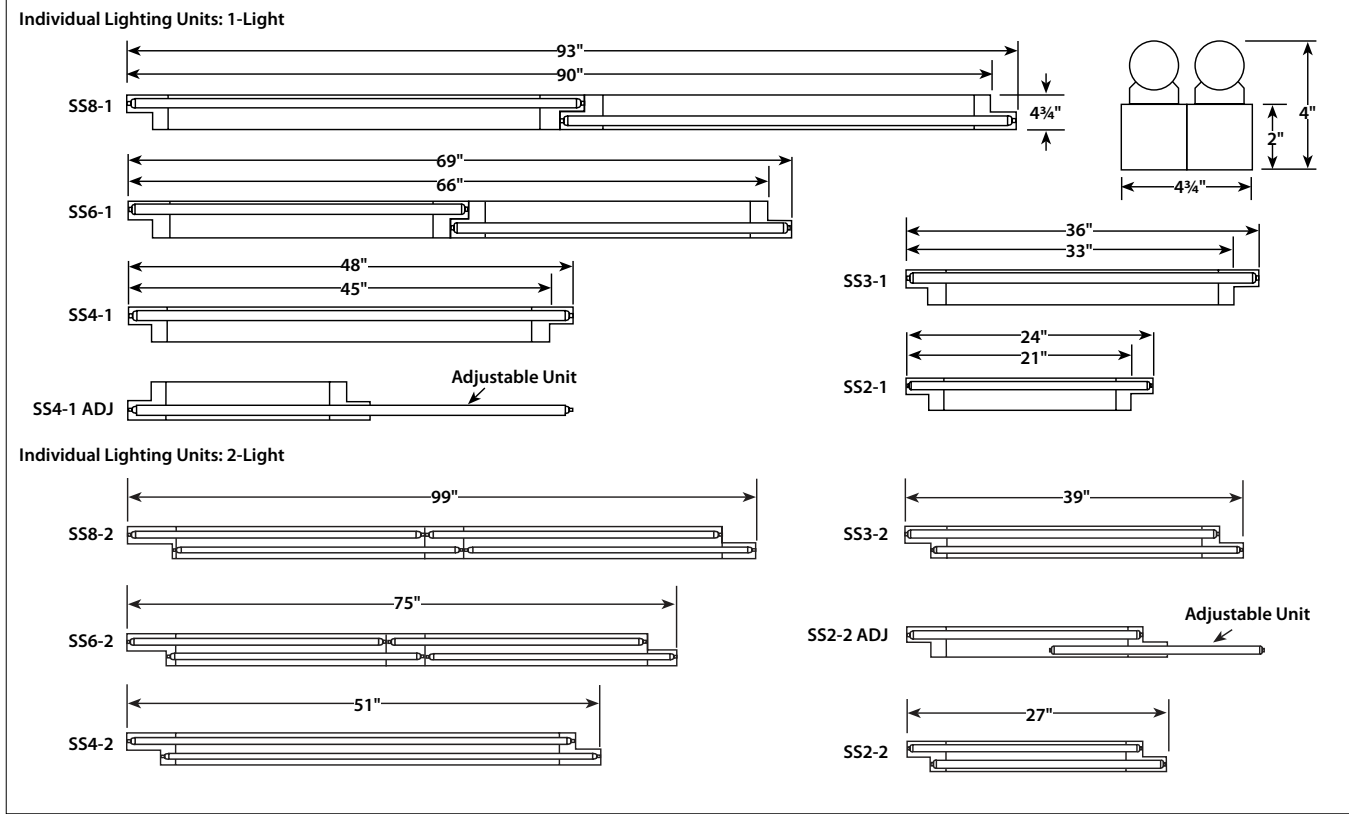
All luminaires are built to UL 1598 standards and bear appropriate UL and cUL or CSA labels. Damp location labeling is standard. Emergency-equipped fixtures labeled UL 924.

ORDERING INFORMATION

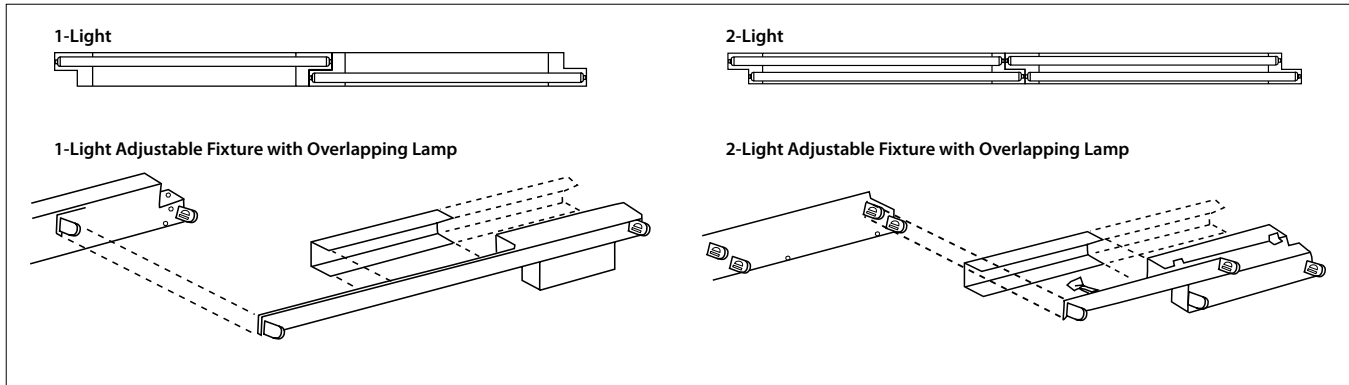
EXAMPLE SS4-132SYM-EU-SSR

SS		-		-		-					
MODEL		NO. OF LAMPS IN CROSS SECTION		REFLECTOR		VOLTAGE		OPTIONS		REFLECTOR OPTIONS	
SS Staggered Strip (Individual Units)		1 One 2 Two		Blank No Reflector SYM Symmetric Reflector ASYM Asymmetric Reflector		U 120V-277V 347 347V		BC1 Branch Circuit Wiring, Single Circuit, with Ground GLR Fast Blow Fuse LR Left/Right Switching ADJ Adjustable 1-Lamp 4' or 2-Lamp 2' Only PAF Paint After Fabrication IRW In-row Wiring		SSR Symmetric Reflector (2 pieces) SSRA Asymmetric Reflector (1 piece) SSRAK Asymmetric Kicker Reflector (1 piece) SSRD Symmetric Deep Reflector (2 pieces) SSRDA Asymmetric Deep Reflector (1 piece) NYC NYC Compliant NYCU NYC Compliant, Union Label 4' reflectors provided with adjustable housings for field adjustment.	
SIZE		LAMP TYPE		BALLAST							
1-Lamp Length	2-Lamp Length	17	2', T8: 17 Watt	E	Electronic Instant Start (std.)						
2 24"	2 27"	25	3', T8: 25 Watt	EP	Electronic Programmed Start						
3 36"	3 39"	32	4', T8: 32, 30, 28 or 25 Watt	4E	4-Lamp Electronic Instant Start						
4 48"	4 51"			4EP	4-Lamp Electronic Programmed Start						
6 69"	6 75"										
8 93"	8 99"										

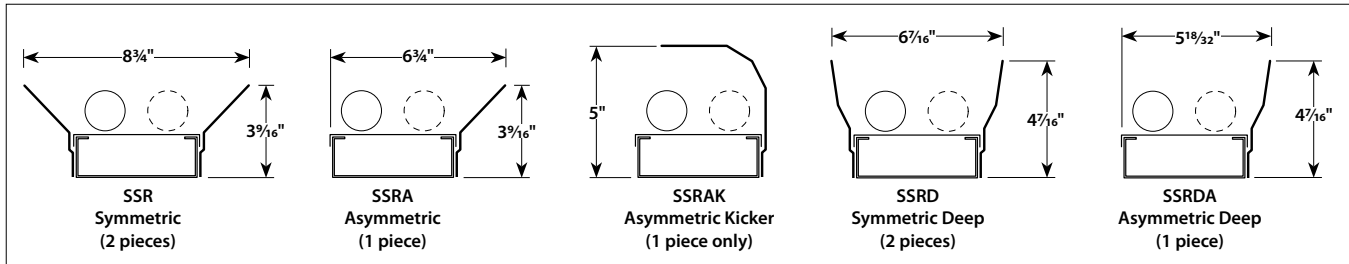
DIMENSIONAL DATA



INSTALLED VIEW



REFLECTORS



ORDERING GUIDE: Show reflector as option on strip catalog number (example: SSROW-1T8-EU-10.0-SSRA)

NOTE: Symmetric reflectors consist of two halves. Asymmetric reflectors consist of one half. 2' adjustable housings require 4' reflectors for field adjustment. All dimensions are in inches; dimensions and specifications are subject to change without notice. Please consult factory or check sample for verification.