

FEATURES

- Asymmetric reflector provides outstanding distribution for a crisp clean appearance
- 360° aiming provides illumination for signage, eye-catching highlights to facilitate flow of foot traffic or grazing angles for added definition to architectural features
- Extruded aluminum reflector available in white or anodized gray finish
- Easy to aim with adjustable nut, stays in place with die cast ends, that interlock with cast socket housing
- UL damp location listed standard. See companion SLA façade luminaire using T8 or T12 lamps for UL wet location listing for outdoor use

PROJECT INFORMATION

Project Name _____

Type _____

Catalog No. _____

Date _____

CONSTRUCTION

Socket housings are constructed of die-cast aluminum and permit easy access to the socket and ample splicing room. Full socket housings on unit must be used. Reflector is constructed of extruded aluminum and is optically designed to provide maximum illumination. Reflector ends are precision die cast with a keyed shoulder which securely locks the reflector to the socket housing. A simple nut adjustment gives the reflector 360° aiming.

FINISH

Exterior finish is gloss white polyester powder coat. Anodized diffuse aluminum finish is available. Internal reflector is high reflectance polyester powder coat.

INSTALLATION

The SLA may be mounted singly or in continuous rows. Specify continuous row requirements. See page 2 for a typical layout.

BALLASTS

Energy efficient, thermally protected, automatic resetting, Class P, high power factor, sound rated A, unless otherwise specified. CEE NEMA Premium compliant.

ELECTRICAL

All conduit, condulets and extension wiring are furnished by the installing contractor. Standard class "P," thermally protected, auto-resetting HPF ballast, sound rated A. CEE NEMA Premium compliant. All ballast leads extend a minimum of 6" through access location. NEC/CEC-compliant ballast disconnect is standard.

CERTIFICATION

All luminaires are built to UL 1598 standards and bear appropriate UL and cUL or CSA labels. Damp location labeling is standard.

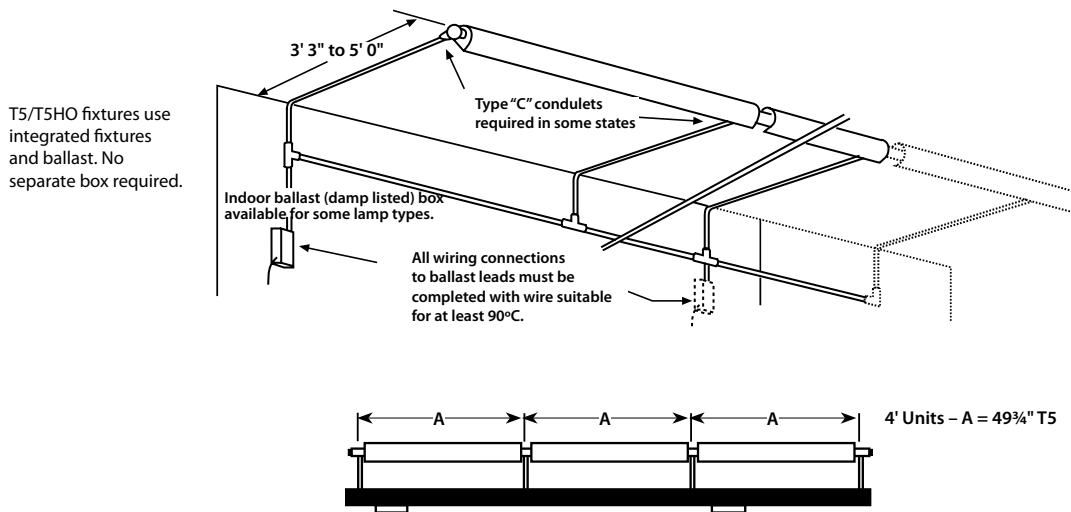
ORDERING INFORMATION

EXAMPLE SLA4-154-EPU

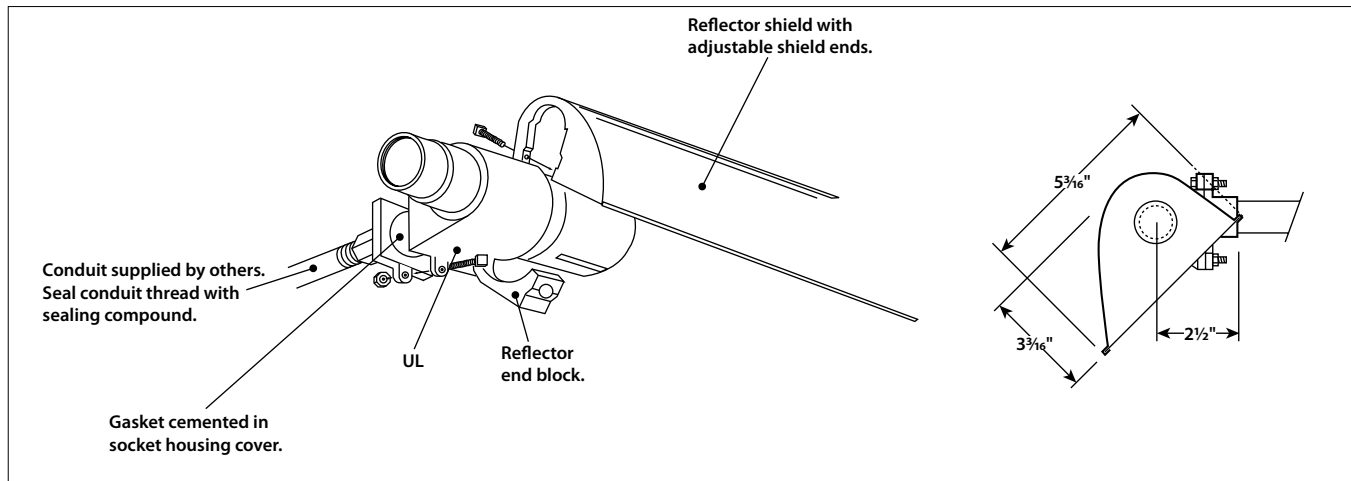
SLA	4	-	1	-	-	EP		
MODEL	SIZE	NO. OF LAMPS IN CROSS SECTION	LAMP TYPE	OPTIONS	BALLAST	VOLTAGE	OPTIONS	
SLA Sign Light Asymmetric	4 4' SIZES SHOWN ARE BASED ON NOMINAL HOUSING LENGTHS. WHERE UNITS WILL BE MOUNTED IN ROWS, PLEASE PROVIDE ROW INFORMATION. E.G. ONE 16' ROW CONSISTING OF (4) SLA4-154-EPU.	1 One	28 4', T5: 28 Watt (Indoor only) 54 4', T5HO: 54 or 51 Watt (Indoor only)	Blank Gloss White ANO Anodized Diffuse Exterior (Gray)	EP Electronic, Programmed Start Electronic ballast remote mounting lead lengths vary. Contact factory.	U 120V-277V 347 347V	NYC NYC Compliant NYCU NYC Compliant, Union Label	

DIMENSIONAL DATA

Typical Outdoor Installation of wet location versions shown. Exterior ballast boxes not used for T5/T5HO Damp Location applications.



GENERAL ASSEMBLY



NOTE: All dimensions are in inches; dimensions and specifications are subject to change without notice. Please consult factory or check sample for verification.