

FEATURES

- Wet location sign light can be mounted in any direction and still operate properly and retain its wet location approval
- Asymmetric reflector provides outstanding distribution for a crisp clean appearance
- Choice of lamps allows maximum flexibility for any application
- Outdoor ballast box is standard, indoor box available for 32 Watt T8 lamps
- UL approval for uplighting even in outdoor applications
- See companion T5/T5HO product for damp location applications

PROJECT INFORMATION

Project Name _____

Type _____

Catalog No. _____

Date _____

CONSTRUCTION

Socket housings are constructed of die-cast aluminum and permit easy access to the socket and ample splicing room. Full socket housings on unit must be used. Neoprene sleeves around sockets provide weathertight enclosure. Reflector is constructed of extruded aluminum and is optically designed to provide maximum illumination. Reflector ends are precision die cast with a keyed shoulder which securely locks the reflector to the socket housing. A simple nut adjustment gives the reflector 360° aiming. One inch diameter holes are provided at each end of the reflector for drainage.

SHIELDING

A "DR" acrylic shield with outstanding impact resistance is recommended for areas with temperatures 35°F or lower. The shield is optional and protects the lamp from wind, ensuring proper lamp operating temperature. The shield must be specified as shown in the ordering guide.

FINISH

Exterior finish is gloss white polyester powder coat. Anodized diffuse aluminum finish is available. Internal reflector is high reflectance polyester powder coat.

INSTALLATION

The SLA may be mounted singly or in continuous rows.

Specify continuous row requirements. See page 2 for a typical layout.

BALLASTS

Energy Efficient, thermally protected, automatic resetting, Class P, high power factor, sound rate A, magnetic or electronic ballasts. CEE NEMA Premium compliant.

ELECTRICAL

The SLA unit requires a remote mounted ballast. Indoor or outdoor ballasts and ballast boxes are available from the factory. For electronic ballast lead lengths, consult factory. Units are wired with leads in socket housings only. All conduit, condulets and extension wiring are furnished by the installing contractor. Standard class "P", thermally protected, auto-resetting HPF ballast, sound rated A. CEE NEMA Premium compliant. All ballast leads extend a minimum of 6" through access location. NEC/CEC-compliant ballast disconnect is standard.

CERTIFICATION

All luminaires are built to UL 1598 standards and bear appropriate UL and cUL or CSA labels. The SLA is UL approved as being raintight or weatherproof in normal outdoor use. UL approved for uplighting or downlighting and bears appropriate UL labels.

ORDERING INFORMATION

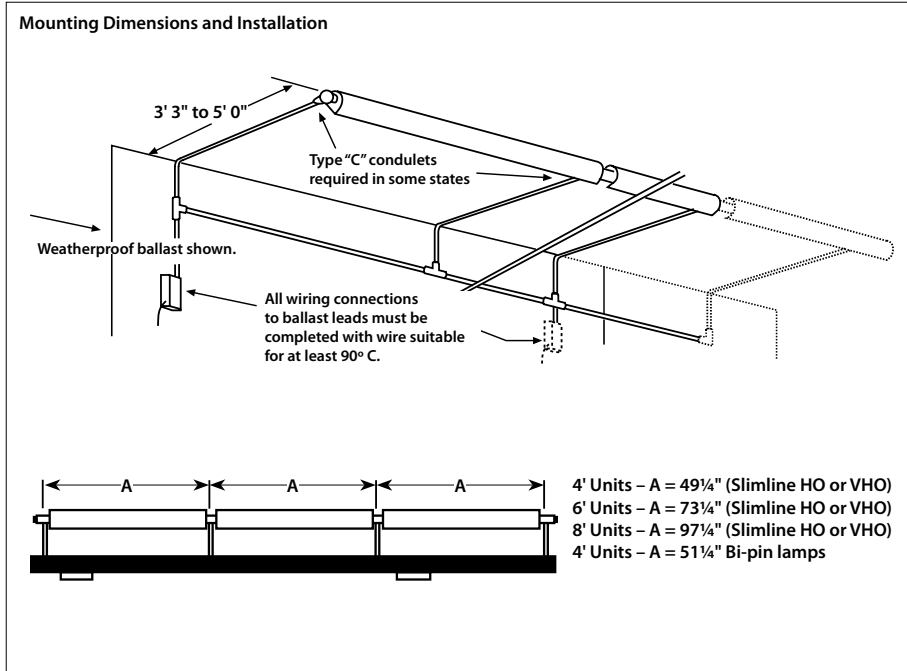
EXAMPLE SLA4-132 (Housing) / SLBB-132-EU (Ballast Box)

SLA		HOUSING	
MODEL	NO. OF LAMPS IN CROSS SECTION	OPTIONS	
SLA Outdoor Sign and Façade Luminaire	1 One	DR High Impact Lens	ANO Anodized Diffuse Exterior (Gray)
SIZE	LAMP TYPE		
4 4'	32 4', T8: 32, 30, 28 or 25 Watt		
6 6'	48 4', T12: Slimline		
8 8'	48HO 4', T12: High Output		
SIZES shown are based on nominal housing lengths. Where units will be mounted in rows, please provide row information. e.g. One 16' row consisting of (2) SLA8-196HO.			
	72 6', T12: Slimline		
	72HO 6', T12: High Output		
	96 8', T12: Slimline		
	96T8 8', T8: 59 Watt		
	96HO 8', T12: 110 or 95 Watt		
	96T8HO 8', T8: 86 Watt		

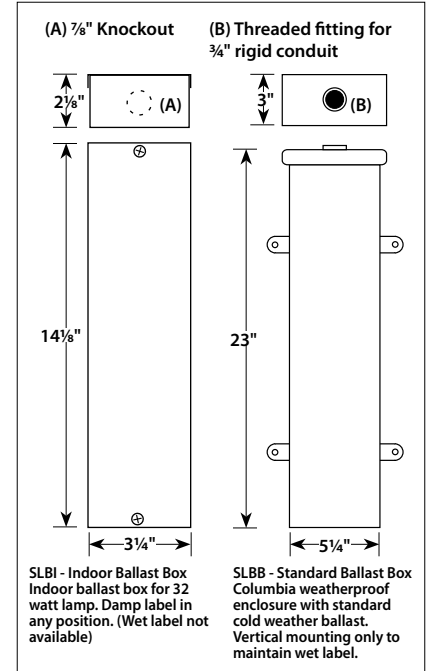
MODEL		LAMP TYPE	VOLTAGE	OPTIONS
SLBB Standard Ballast Box (Outdoor vertical mount)	SLBI Indoor Ballast Box T8	See housing Lamp Type.	U 120V-277V (Electronic T8 & T12HO only. Others specify voltage.) 347 347V	GRAY Gray Ballast Box (Std. White) NYC NYC Compliant NYCU NYC Compliant, Union Label
NO. OF LAMPS OPERATED	BALLAST			
1 One	E Electronic T8, Instant Start (N/A in HO)			
2 Two	EP Electronic, Programmed Start			
	LE Energy Saving Magnetic T12 (96 only)			
Electronic ballast remote mounting lead lengths vary. Contact factory.				

NOTE: Housing and Ballast Box must be ordered separately. Row information must be provided with order. Ballast minimum start temperatures vary. Please confirm ballast is suitable for application.

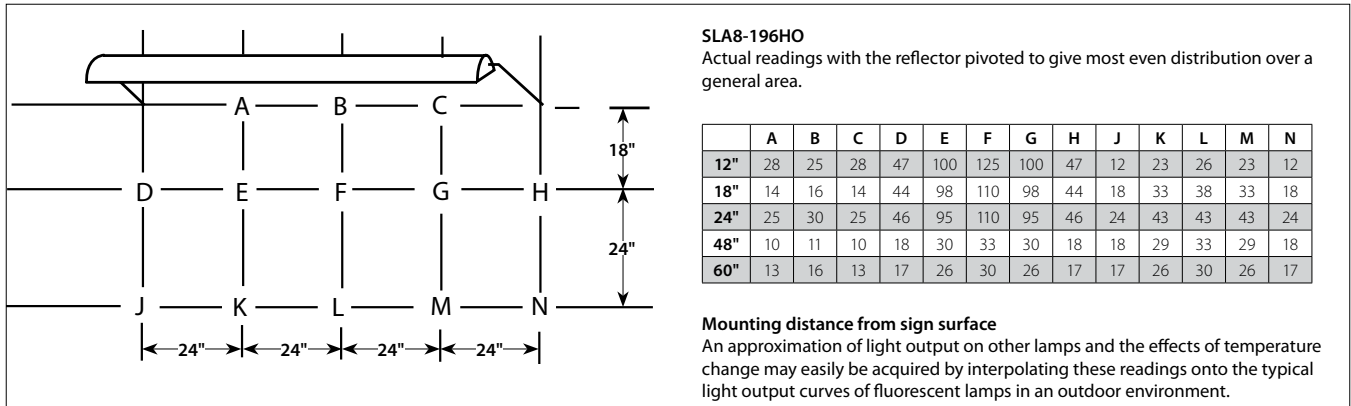
DIMENSIONAL DATA



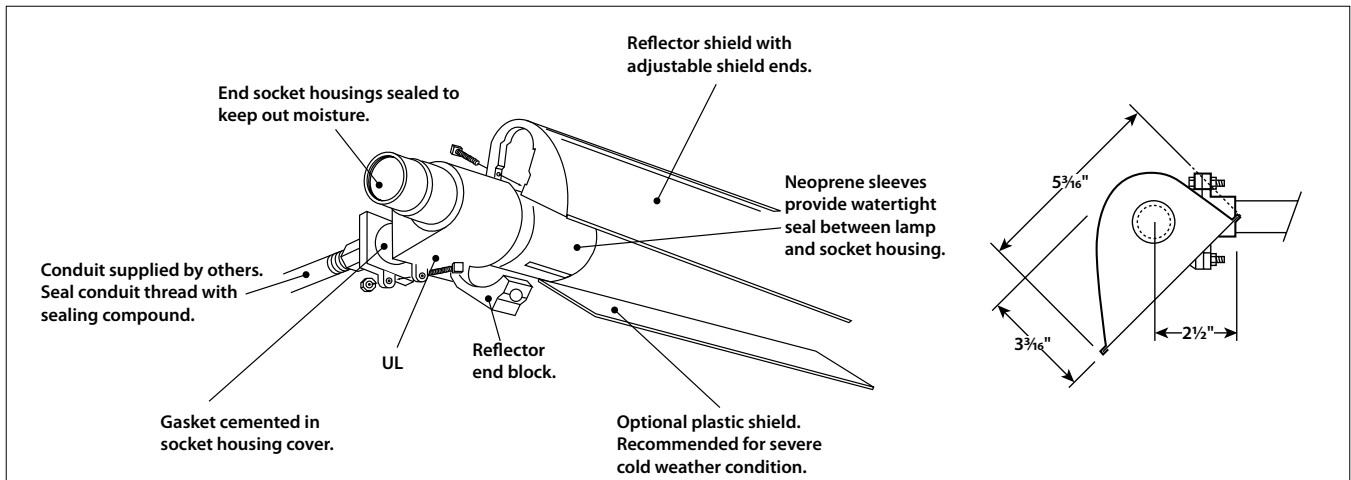
BALLAST TYPES



INSTALLATION DATA



GENERAL ASSEMBLY



NOTE: All dimensions are in inches; dimensions and specifications are subject to change without notice. Please consult factory or check sample for verification.