

**FEATURES**

- Designed for uplight, downlight and frontlight
- One piece shielding assembly easily removable for cleaning
- No hardware
- Heavy gauge steel housing
- Rotary lock lampholders for positive lamp contact
- A grounded convenience outlet and an on/off push-button switch are standard equipment (120V fixtures only)
- An optional pull chain switch is available
- SAM models have metal baffle to separate uplight from downlight and two 1-Lamp ballasts for separate up/down switching

**PROJECT INFORMATION**

Project Name \_\_\_\_\_

Type \_\_\_\_\_

Catalog No. \_\_\_\_\_

Date \_\_\_\_\_

**BALLASTS**

Energy efficient, thermally protected, automatic resetting, Class P, high power factor, sound rated A, magnetic or electronic ballasts. CEE NEMA Premium compliant.

**SHIELDING**

A one piece clear prismatic acrylic diffuser with white injection molded ends solvent welded to form a rigid enclosure. Removes easily from the front with no hardware.

**ELECTRICAL**

Standard class "P", thermally protected, autoresetting HPF ballast, sound rated A. CEE NEMA Premium compliant. All ballast leads extend a minimum of 6" through access location. NEC/CEC-compliant ballast disconnect is standard.

**CERTIFICATION**

All luminaires are built to UL 1598 standards and bear appropriate UL and cUL or CSA labels. Damp location labeling is standard. Emergency-equipped fixtures labeled UL 924.

**FINISH**

White painted parts are treated with a five stage phosphate bonding process and finished after fabrication with a minimum 90% reflective gloss baked enamel.

**ORDERING INFORMATION**

**EXAMPLE SA4-232-E120-PAF**

MODEL	SIZE	NO. OF LAMPS	LAMP TYPE	BALLAST	VOLTAGE	OPTIONS
<b>SA</b> Wall Mount Light	<b>2</b> 2' (SA only)	<b>2</b> Two	<b>17</b> 2', T8: 17 Watt	<b>E</b> Electronic Instant Start (Std.)	<b>120</b> 120V	<b>GLR</b> Fast Blow Fuse <b>GMF</b> Slow Blow Fuse <b>NL</b> Candelabra base lampholder for 7C7 lamp (not included) 120V only <b>EL</b> Emergency Battery Pack <b>PAF</b> Paint After Fabrication <b>LSW</b> Less Switch <b>LCO</b> Less Grounded Convenience Outlet <b>OPF</b> Low Brightness Opal Front Panel
	<b>3</b> 3'		<b>25</b> 3', T8: 25 Watt		<b>277</b> 277V	
	<b>4</b> 4'		<b>32</b> 4', T8: 32 Watt		<b>347</b> 347V	
<b>SAM</b> Wall Mount Light (Includes baffle for directional light)						

Note: SA fixture includes push-button switch (120V only)

**PHOTOMETRIC DATA**

**LUMINAIRE DATA**

Luminaire	SA4-240-LE SA/SAM Surface Mounted 2-Lamp Direct/Indirect Wall Mount Luminaire with Wraparound Plastic Lens
Ballast	(2) R-140
Ballast Factor	0.95
Lamp	F40/CW
Lumens per Lamp	3150
Watts	92
Shielding Angle	N/A
Spacing Criterion	0° = N/A 90° = N/A
Luminous Opening in Feet	Length: 3.94 Width: 0.42 Height: 0.33

**AVG. LUMINANCE (Candela/Sq. M.)**

	0.0	90.0	180.0	270.0	360.0
0	4781	4781	4781	4781	4781
30	4499	4139	4949	5251	4499
40	4332	4851	4978	6530	4332
45	4261	5064	5010	9230	4261
50	4048	5085	4913	24178	4048
55	3596	5269	4534	0	3596
60	2999	5262	3972	0	2999
65	2544	5325	3508	0	2544
70	2087	5371	3088	0	2087
75	1493	5496	2669	0	1493
80	940	5520	2283	0	940
85	458	5354	19292	0	458

**ZONAL LUMEN SUMMARY**

Zone	Lumens	Lamp	Fixt.
0-30	568	9.0	11.7
0-40	928	14.7	19.2
0-60	1707	27.1	35.2
0-90	2490	39.5	51.4
90-120	665	10.6	13.7
90-130	1021	16.2	21.1
90-150	1758	27.9	36.3
90-180	2353	37.3	48.6
0-180	4843	76.9	100.0

**COEFFICIENTS OF UTILIZATION (%)**

RC	80					70					50					0
	RW	70	50	30	10	70	50	30	10	50	30	10	0			
1	74	70	67	64	68	65	62	59	55	53	50	31				
2	67	61	55	51	62	56	51	48	47	44	41	25				
3	61	53	47	42	56	49	43	39	41	37	34	20				
4	55	47	40	35	51	43	37	33	36	32	28	17				
5	51	41	35	30	47	38	32	28	32	28	24	15				
6	47	37	30	26	43	34	28	24	29	25	21	13				
7	43	33	27	22	40	31	25	21	26	22	18	11				
8	40	30	24	20	37	28	22	19	24	19	16	10				
9	37	27	21	17	34	26	20	16	22	18	14	9				
10	35	25	19	16	32	23	18	15	20	16	13	8				

RCR = Room Cavity Ratio

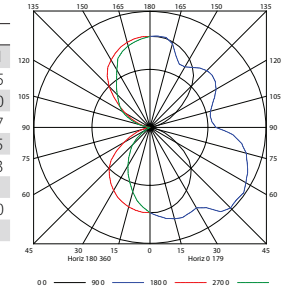
RC = Effective Ceiling Cavity Reflectance RW = Wall Reflectance

**ENERGY DATA**

Total Luminaire Efficiency	76.9%
Luminaire Efficacy Rating (LER)	50
IESNA RP-1-2004 Compliance	Non-Compliant
Comparative Yearly Lighting Energy Cost per 1000 Lumens	\$4.80 based on 3000 hrs. and \$0.08 per KWH

Test 8278 Test Date 1/8/03

**INDOOR CANDELA PLOT**



**LUMINAIRE DATA**

Luminaire	SAM4-240-LE SA/SAM Surface Mounted 2-Lamp Wall Mount w/Baffle between Lamps, Clear Wraparound Plastic Lens
Ballast	(2) R-140
Ballast Factor	0.95
Lamp	F40/CW
Lumens per Lamp	3150
Watts	90
Shielding Angle	N/A
Spacing Criterion	0° = N/A 90° = N/A
Luminous Opening in Feet	Length: 3.94 Width: 0.42 Height: 0.33

**AVG. LUMINANCE (Candela/Sq. M.)**

	0.0	90.0	180.0	270.0	360.0
0	2413	2413	2413	2413	2413
30	2291	3170	2291	2028	2291
40	2199	4798	2199	1758	2199
45	2171	5354	2171	1601	2171
50	2095	5748	2095	1376	2095
55	1871	6589	1871	998	1871
60	1574	7506	1574	481	1574
65	1385	8727	1385	139	1385
70	1236	10460	1236	0	1236
75	930	13320	930	0	930
80	674	18842	674	0	674
85	448	34332	448	0	448

**ZONAL LUMEN SUMMARY**

Zone	Lumens	Lamp	Fixt.
0-30	293	4.7	7.9
0-40	494	7.8	13.3
0-60	963	15.3	25.8
0-90	1449	23.0	38.9
90-120	572	9.1	15.3
90-130	910	14.4	24.4
90-150	1650	26.2	44.3
90-180	2277	36.1	61.1
0-180	3727	59.2	100.0

**COEFFICIENTS OF UTILIZATION (%)**

RC	80					70					50					0
	RW	70	50	30	10	70	50	30	10	50	30	10	0			
1	56	53	50	48	50	48	46	44	39	37	36	18				
2	50	45	42	38	45	41	38	35	33	31	29	14				
3	46	40	35	31	41	36	32	29	29	26	24	11				
4	41	35	30	26	37	32	27	24	26	22	20	10				
5	38	31	26	22	34	28	24	20	23	19	17	8				
6	35	27	23	19	31	25	21	18	20	17	15	7				
7	32	25	20	16	29	22	18	15	18	15	13	6				
8	30	22	18	14	27	20	16	13	17	13	11	5				
9	28	20	16	13	25	18	14	12	15	12	10	5				
10	26	18	14	11	23	17	13	10	14	11	9	4				

RCR = Room Cavity Ratio

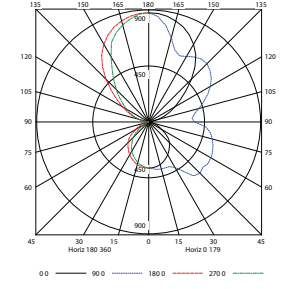
RC = Effective Ceiling Cavity Reflectance RW = Wall Reflectance

**ENERGY DATA**

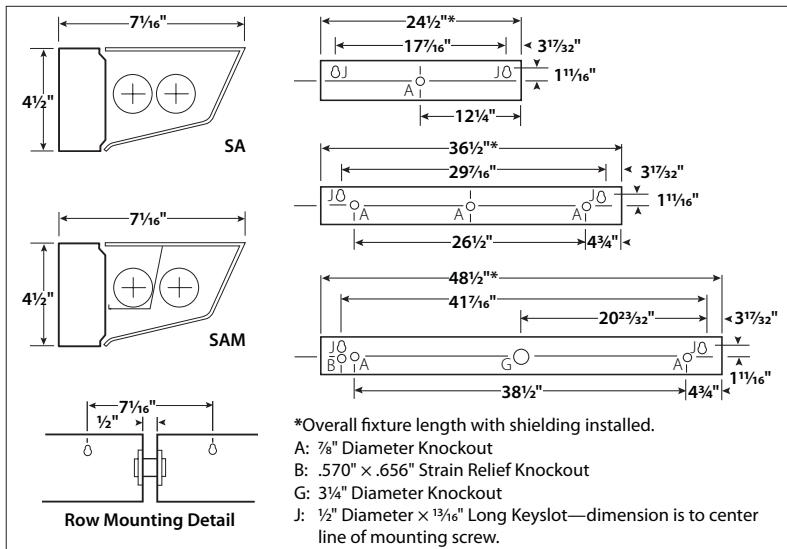
Total Luminaire Efficiency	59.2%
Luminaire Efficacy Rating (LER)	39
IESNA RP-1-2004 Compliance	Non-Compliant
Comparative Yearly Lighting Energy Cost per 1000 Lumens	\$6.15 based on 3000 hrs. and \$0.08 per KWH

Test 8280 Test Date 1/8/03

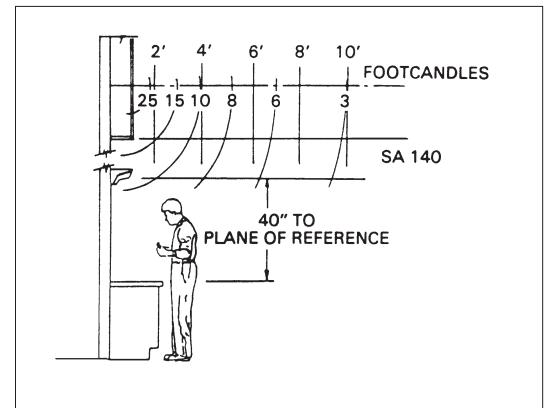
**INDOOR CANDELA PLOT**



**DIMENSIONAL DATA**



**FOOTCANDLES**



**NOTE:** All dimensions are in inches; dimensions and specifications are subject to change without notice. Please consult factory or check sample for verification.