

### FEATURES

- Internal retrofit package to convert outdated fixtures to high efficiency lighting using the latest linear fluorescent lighting technologies
- Retains existing housing and shielding
- Kits are available to retrofit 2' x 2' or 2' x 4' fixtures with T8 lamps
- Installs with simple hand tools
- Standard kits include: reflector, pre-wired ballast and sockets, socket brackets, and optional bulk lamps
- Optional reflector materials available: 91% reflective gloss white or 95% reflective specular
- Reflector extends the width and length of the fixture interior to maximize light output
- Energy savings up to 58% compared to 3-lamp or 4-lamp T12 magnetic systems, while maintaining existing light levels.
- Hi-Lo controls obtained with optional step dimming ballasts or multiple ballasts, order with GTS device to use existing single switch wiring to obtain bi-level switching

### PROJECT INFORMATION

Project Name \_\_\_\_\_

Type \_\_\_\_\_

Catalog No. \_\_\_\_\_

Date \_\_\_\_\_

### REFLECTORS

White reflectors have 91% total reflectance and are pre-painted white aluminum. Specular aluminum reflectors have 95% total reflectance.

### CERTIFICATION

UL 1598B Listed as luminaire conversion, retrofit.

### SOCKET BRACKETS

White pre-painted die formed 22 gauge steel socket brackets are universal fit in most troffers. Socket Brackets are mounted to top of existing fixture.

### ELECTRICAL

Ballasts are energy efficient, thermally protected, automatic resetting, Class P, high power factor, sound rated A, electronic ballasts. Lamps are secured with rotary locking lamp sockets for ease of relamping and to reduce lamps disconnecting due to vibration or incidental contact. Ballast disconnect standard on all ballast supplied kits.

## ORDERING INFORMATION

EXAMPLE RKT24-232-GW-EU

RKT		-		-		U		-	
MODEL		NO. OF LAMPS IN CROSS SECTION		REFLECTOR TYPE		VOLTAGE		OPTIONS	
RKT	Retrofit Kit Lens Troffer	2	Two	GW	Gloss White, 91% Reflective	U	120V-277V	GTS	Hi-Lo Control, Single Circuit Toggle Switch (used for Step Dimming Ballast)
		3	Three	M4R	Enhanced Specular Aluminum, 95% Reflective			<b>(Required when no ballast is supplied)</b>	
								IS8	Instant Start T8 Sockets
								PS8	Programmed Start T8 Sockets
SIZE		LAMP TYPE		BALLAST					
22	2' x 2'	17	2', T8: 17 Watt	ELW	Electronic T8, Instant Start, 0.77 Ballast Factor				
24	2' x 4'	32	4', T8: 32, 30, 28, 25 Watt	E	Electronic T8, Instant Start, 0.88 Ballast Factor				
				E104	Electronic T8, Instant Start, 1.04 Ballast Factor				
				EHL	Electronic T8, Instant Start, 1.18 Ballast Factor				
				ESD	Electronic T8, Step Dimming, Programmed Start, 0.88 Ballast Factor				
				EP	Electronic T8, Programmed Start, 0.88 Ballast Factor				
				3ELW	3-Lamp Electronic T8, Instant Start, 0.77 Ballast Factor				
				3E	3-Lamp Electronic T8, Instant Start, 0.88 Ballast Factor				
				3EHL	3-Lamp Electronic T8, Instant Start, 1.04 Ballast Factor				
				3EP	3-Lamp Electronic T8, Programmed Start, 0.88 Ballast Factor				
				Blank	No Ballast supplied (Please specify socket type under options)				
ACCESSORIES (ORDER SEPARATELY)									
RKF32T8830	T8 32 Watt Lamps, F0830, 85CRI, 3000K, order in case quantity only (25)								
RKF32T8835	T8 32 Watt Lamps, F0835, 85CRI, 3500K, order in case quantity only (25)								
RKF32T8841	T8 32 Watt Lamps, F0841, 85CRI, 4100K, order in case quantity only (25)								
RKF54T5835	T5HO 54 Watt Lamps, F5835, 85CRI, 3500K, order in case quantity only (40)								
RKF54T5841	T5HO 54 Watt Lamps, F5841, 85CRI, 4100K, order in case quantity only (40)								

**ENERGY AND OPTICAL PERFORMANCE DATA**

2' x 4' Existing System									
Existing Lamp/ Ballast System	Lamp Type	Quantity	Mean Lumens Per Lamp	Typical Fixture Efficiency	Ballast Factor	Delivered Lumens Per Fixture	Input Watts	Delivered Lumens Per Watt	Annual Cost*
4L40-T12 Mag	F40/T12/WM	4	2280	62.0%	0.88	4,976	144	35	\$72.00
4L32-T8 Elec	F32T8/741	4	2660	79.0%	0.88	7,397	110	67	\$55.00
3L40-T12 Mag	F40/T12/WM	3	2280	67.0%	0.88	4,033	115	35	\$57.50
3L32-T8 Elec	F32T8/741	3	2660	80.6%	0.88	5,660	85	67	\$42.50

2' x 4' Retrofit Options									
Proposed Lamp/Ballast System	Lamp Type	Quantity	Mean Lumens Per Lamp	Typical Fixture Efficiency	Ballast Factor	Delivered Lumens Per Fixture	Input Watts	Delivered Lumens Per Watt	Annual Cost*
3L32-T8 EU	F32T8/841	3	2800	87.6%	0.88	6,475	85	76	\$42.50
2L32-T8 ELWU	F32T8/841	2	2800	88.5%	0.77	3,816	48	80	\$24.00
2L32-T8 EU	F32T8/841	2	2800	88.5%	0.88	4,361	53	82	\$26.50
2L32-T8 E104U	F32T8/841	2	2800	88.5%	1.04	5,154	64	81	\$32.00
2L32-T8 EHLU	F32T8/841	2	2800	88.5%	1.18	5,848	73	80	\$36.50

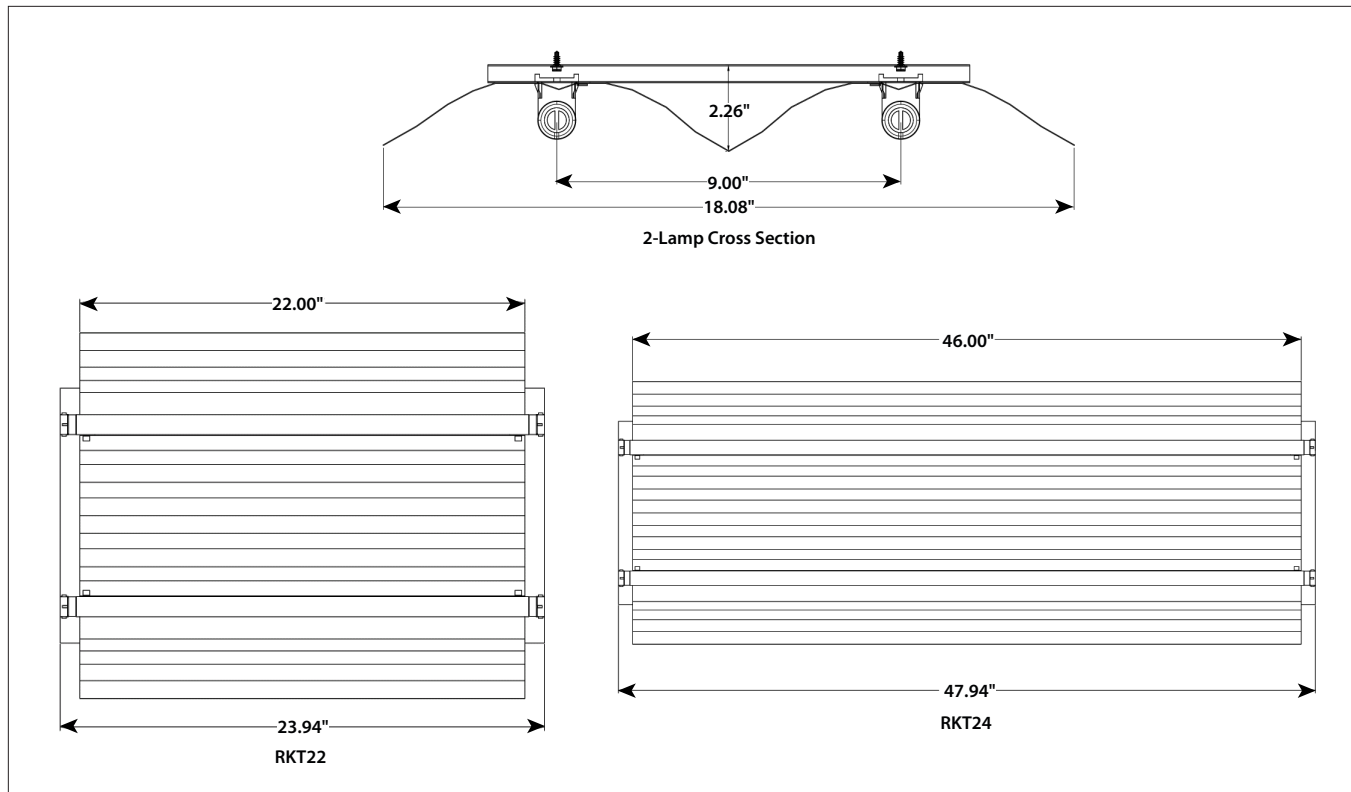
2' x 2' Existing System									
Existing Lamp/ Ballast System	Lamp Type	Quantity	Mean Lumens Per Lamp	Typical Fixture Efficiency	Ballast Factor	Delivered Lumens Per Fixture	Input Watts	Delivered Lumens Per Watt	Annual Cost*
2L40-T12-U6 Mag	F40/T12/U6/WM	2	2280	62.5%	0.88	2,508	86	29	\$43.00
2L32T8/U6 Elec	FB032/741/6	2	2750	68.0%	0.88	3,291	58	57	\$29.00

2' x 2' Retrofit Options									
Proposed Lamp/Ballast System	Lamp Type	Quantity	Mean Lumens Per Lamp	Typical Fixture Efficiency	Ballast Factor	Delivered Lumens Per Fixture	Input Watts	Delivered Lumens Per Watt	Annual Cost*
3L17-T8 EU	F17T8/841	3	1300	75.6%	0.9	2,654	45	59	\$22.50
2L17-T8 ELWU	F17T8/841	2	1300	86.5%	0.8	1,799	27	67	\$13.50
2L17-T8 EU	F17T8/841	2	1300	86.5%	0.9	2,024	31	65	\$15.50
2L17-T8 EHLU	F17T8/841	2	1300	86.5%	1.23	2,766	41	67	\$20.50

\*Based on \$0.10/KWH and 5,000 operating hours per year

**DIMENSIONAL DATA**



**NOTE:** All dimensions are in inches; dimensions and specifications are subject to change without notice. Please consult factory or check sample for verification.