

FEATURES

- Wall washing makes an environment appear larger and brighter
- Effective wall wash with cross lamp shielding
- Wide light distribution provides uniform illumination at up to 8' spacings
- Models available with unique kicker reflector for wall wash directs majority of light with highest angle distribution
- Used at ends and sides of parabolic rows to reduce contrast ratios
- Anodized low iridescent aluminum internal reflector
- Ideal for office, retail, or video conferencing
- White powder coat finish painted after fabrication

PROJECT INFORMATION

Project Name _____

Type _____

Catalog No. _____

Date _____

CONSTRUCTION

Luminaire housing and end caps are die formed code gauge cold rolled steel. Internal reflectors constructed of low iridescent diffuse silver anodized aluminum provide smooth wall wash distribution. Gray enamel aluminum baffle assembly provides shielding along the lamps. Baffle assembly hinges from the room side and fastens with two trigger latches hidden in upper front reflector.

FINISH

White painted parts are treated with a five stage phosphate bonding process and finished after fabrication with a minimum 90% reflective gloss baked enamel.

INSTALLATION

An access plate is furnished with each luminaire for fast wiring access from the plenum. No need to open fixture. For optimum beam spread position fixture 2 1/2'-4' from target wall.

BALLASTS

Energy efficient, thermally protected, automatic resetting, Class P, high power factor, sound rated A, magnetic or electronic ballasts. CEE NEMA Premium compliant.

ELECTRICAL

Standard class "P", thermally protected, autoresetting HPF ballast, sound rated A. CEE NEMA Premium compliant. All ballast leads extend a minimum of 6" through access location. NEC/CEC-compliant ballast disconnect is standard.

CEILING COMPATIBILITY

Luminaire is available to fit most standard ceiling types. NEC-compliant T-bar clips supplied with all grid trim fixtures. See ceiling details on reverse. For hard ceilings order G trim and FK flange accessory. Assemble then support FK accessory at ceiling plane using tie wires (by others). Contact your Columbia representative for compatibility information for specific ceiling types.

CERTIFICATION

All luminaires are built to UL 1598 standards and bear appropriate UL and cUL or CSA labels. Damp location labeling is standard. Emergency-equipped fixtures labeled UL 924.

ORDERING INFORMATION

EXAMPLE PW84-232G-LDB-EU

PW	84	-	-	LD	B	-	-
MODEL	NO. OF LAMPS	CEILING TYPE	APERTURE	VOLTAGE	OPTIONS		
PW Parawash Recessed Wall Wash	1 One 2 Two Twin Tube Lamps Mounted end-to-end	G Grid SG Slot Grid SM Surface Mount For hard ceiling, use flange kit.	B Cross Baffle	U 120V-277V 347 347V	GMF Slow Blow Fuse GLR Fast Blow Fuse EL Emergency Battery Pack MS9 Master/Satellite Pair w/9' Harness NYC NYC Compliant NYCU NYC Compliant, Union Label		
SIZE	LAMP TYPE	REFLECTOR FINISH	BALLAST	ACCESSORIES (ORDER SEPARATELY)			
84 8" x 4'	28 4', T5: 28 Watt 32 4', T8: 32, 30, 28 or 25 Watt 54 4', T5HO: 54 or 51 Watt 40TT 2' Twin Tube Compact, 2G11 Base: 40 Watt	LD Low Iridescence Semi-Specular	E Electronic T8, Instant Start EP Electronic T8 or T5, Programmed Start EPTT Electronic Twin Tube, Programmed Start For a specific ballast vendor, show as option.	FK84 Flange Kit, 4' Single Unit			

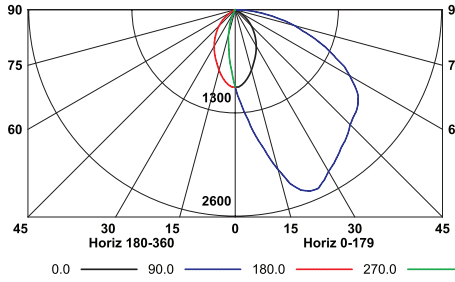
PHOTOMETRIC DATA

Test 11284 Test Date 1/8/03

LUMINAIRE DATA

Luminaire	PW84-240TTG-LDB-EBTT PW Parabolic 8" x 48" 2-Lamp Linear Wall Wash with 1 x 18 Cell Louver
Ballast	B240I120HP
Ballast Factor	0.88
Lamp	F40BX
Lumens per Lamp	3150
Watts	64
Shielding Angle	N/A
Spacing Criterion	N/A

INDOOR CANDELA PLOT



ENERGY DATA

Total Luminaire Efficiency	40.7%
Luminaire Efficacy Rating (LER)	35
IESNA RP-1-1993 Compliance	Noncompliant
Comparative Yearly Lighting Energy Cost per 1000 Lumens	\$6.86 based on 3000 hrs. and \$0.08 per KWH

4' CROSS BAFFLE, TWO F40 BIAIX LAMPS

Fixture Mtg. 2½' from wall to Ctr.	Single Unit Distance from Center				Multiple Units on 8' Center				Multiple Units on 10' Center				Multiple Units on Continuous Rows
	0'	2'	4'	6'	8'	0'	4'	0'	0'	5'	0'	0'	
3"	10	6	2	1	1	12	4	12	10	4	10	14	
6"	34	18	2	1	1	37	4	37	34	4	34	38	
1'	70	36	2	1	1	73	4	73	70	4	70	74	
2'	88	51	8	2	1	94	16	94	92	6	92	104	
3'	58	38	11	3	1	61	22	61	58	8	58	80	
4'	36	26	10	3	2	39	20	39	36	10	36	56	
5'	24	19	10	3	1	27	20	27	24	12	24	44	
6'	16	12	6	2	1	19	12	19	16	12	16	28	
7'	10	9	6	2	1	12	12	12	10	8	10	22	
8'	8	7	5	2	1	11	10	11	8	6	8	18	

Vertical Footcandle Distribution on Wall Surface

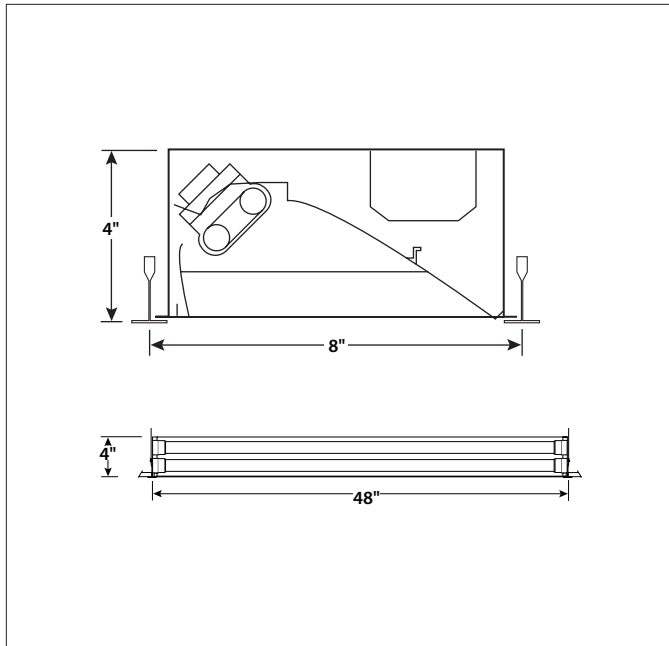
ZONAL LUMEN SUMMARY

Zone	Lumens	%Lamp	%Fixt.
0-30	801	12.7	31.3
0-40	1297	20.6	50.6
0-60	2183	34.7	85.2
0-90	2562	40.7	100.0
0-180	2562	40.7	100.0

AVG. LUMINANCE (Candela/Sq. M.)

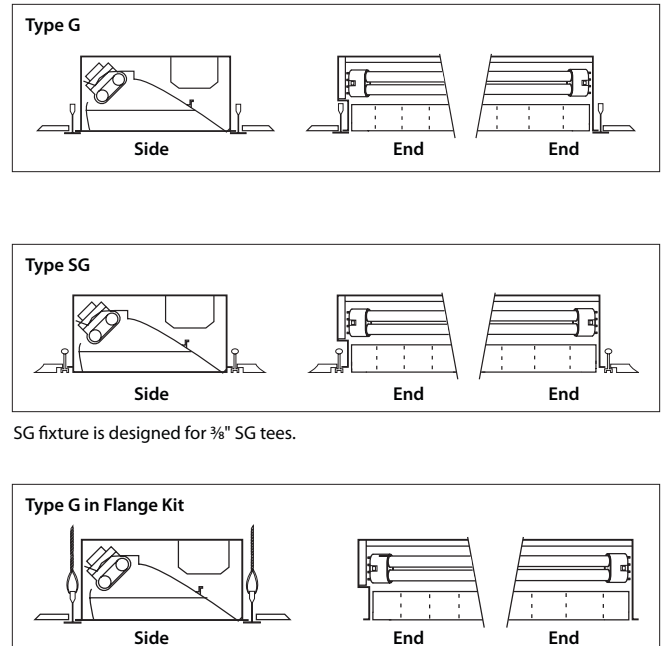
	90.0	135.0	180.0	225.0	270.0
0	1021	1021	1021	1021	1021
30	11893	8848	1071	185	114
40	14575	11944	1082	122	81
45	15709	13064	1084	110	73
50	16684	14331	1088	97	73
55	16991	15329	1066	90	45
60	16154	16258	1026	73	52
65	14625	16109	956	61	49
70	14921	14830	863	76	61
75	15894	13872	781	100	80
80	16261	14739	716	119	119
85	15753	13970	832	238	238

DIMENSIONAL DATA



NOTE: All dimensions are in inches; dimensions and specifications are subject to change without notice. Please consult factory or check sample for verification.

CEILING COMPATIBILITY



SG fixture is designed for ¾" SG tees.

For hard ceiling applications, "G" fixtures are provided with a Flange Kit that wires directly into the concealed ceiling opening for a clean finished appearance. For flange fixtures in row configurations contact your local Columbia representative.

Flange kit cut out dimensions for single unit only:
PWFK1: (1') - 8¾" x 12¾", PWFK2: (2') - 8¾" x 48¾"