

FEATURES

- Wall washing makes an environment appear larger and brighter
- Effective wall wash with cross lamp shielding
- Wide light distribution provides uniform illumination at up to 8' spacings
- Models available with unique kicker reflector for wall wash directs majority of light with highest angle distribution
- Used at ends and sides of parabolic rows to reduce contrast ratios
- Anodized low iridescent aluminum internal reflector
- Ideal for office, retail, or video conferencing
- White powder coat finish painted after fabrication

PROJECT INFORMATION

Project Name _____

Type _____

Catalog No. _____

Date _____

CONSTRUCTION

Luminaire housing and end caps are die formed code gauge cold rolled steel. Internal reflectors constructed of low iridescent diffuse silver anodized aluminum provide smooth wall wash distribution. Gray enamel aluminum baffle assembly provides shielding along the lamps. Baffle assembly hinges from the room side and fastens with two trigger latches hidden in upper front reflector.

FINISH

White painted parts are treated with a five stage phosphate bonding process and finished after fabrication with a minimum 90% reflective gloss baked enamel.

INSTALLATION

An access plate is furnished with each luminaire for fast wiring access from the plenum. No need to open fixture. For optimum beam spread position fixture 2½'-4' from target wall.

BALLASTS

Energy efficient, thermally protected, automatic resetting, Class P, high power factor, sound rated A, magnetic or electronic ballasts. CEE NEMA Premium compliant.

ELECTRICAL

Standard class "P", thermally protected, autoresetting HPF ballast, sound rated A. CEE NEMA Premium compliant. All ballast leads extend a minimum of 6" through access location. NEC/CEC-compliant ballast disconnect is standard.

CEILING COMPATIBILITY

Luminaire is available to fit most standard ceiling types. NEC-compliant T-bar clips supplied with all grid trim fixtures. See ceiling details on reverse. For hard ceilings order G trim and FK flange accessory. Assemble then support FK accessory at ceiling plane using tie wires (by others). Contact your Columbia representative for compatibility information for specific ceiling types.

CERTIFICATION

All luminaires are built to UL 1598 standards and bear appropriate UL and cUL or CSA labels. Damp location labeling is standard. Emergency-equipped fixtures labeled UL 924.

ORDERING INFORMATION

EXAMPLE PW82-117G-LDK-EU

PW		-		1		-		LD		K		-		-	
MODEL		NO. OF LAMPS		CEILING TYPE		APERTURE		VOLTAGE		OPTIONS					
PW Parawash Recessed Wall Wash		1 One		G Grid SG Slot Grid SM Surface Mount* <small>For hard ceiling, use "G" fixture and flange kit.</small>		K Kicker (Linear Baffle)		U 120V-277V 347 347V		Lens Spread Lens (Twin Tube only) GMF Slow Blow Fuse GLR Fast Blow Fuse EL Emergency Battery Pack MS9 Master/Satellite Pair w/9' Harness MC Mitered Corner (Kicker) NYC NYC Compliant NYCU NYC Compliant, Union Label					
SIZE		LAMP TYPE		REFLECTOR FINISH		BALLAST		ACCESSORIES (ORDER SEPARATELY)							
81 8" x 1' 82 8" x 2'		18TT 1' Twin Tube Compact, 18 Watt 40TT 2' Twin Tube Compact, 2G11 Base: 40 Watt 17 2', T8: 17 Watt 14 2', T5: 14 Watt 24 2', T5HO: 24 Watt		LD Low Iridescence Semi-Specular		E Electronic T8, Instant Start EPTT Electronic Twin Tube (Specify voltage) <small>For a specific ballast vendor, show as option.</small>		FK81 Flange Kit, 1' Single Unit FK82 Flange Kit, 2' Single Unit							

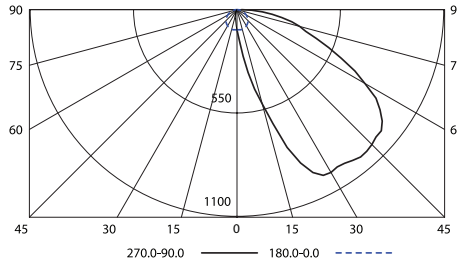
PHOTOMETRIC DATA

Test 9729 Test Date 1/8/03

LUMINAIRE DATA

Luminaire	PW82-140TTG-LDK-TT PW Parabolic 6" x 23" 1-Lamp Linear Wall Wash
Ballast	8G3375W
Ballast Factor	0.95
Lamp	F40BX
Lumens per Lamp	3150
Watts	47
Shielding Angle	N/A
Spacing Criterion	N/A

INDOOR CANDELA PLOT



ENERGY DATA

Total Luminaire Efficiency	45.8%
Luminaire Efficacy Rating (LER)	29
IESNA RP-1-1993 Compliance	Non-compliant
Comparative Yearly Lighting Energy Cost per 1000 Lumens	\$8.28 based on 3000 hrs. and \$0.08 per KWH

2' LINEAR BAFFLE, LWV - ONE F40BX LAMP

Distance from Ceiling	Fixture Mtg. 2 1/2" from wall to Ctr.	Single Unit Distance from Center				Multiple Units on 8' Center				Multiple Units on 10' Center				Multiple Units on Continuous Rows
		0'	2'	4'	6'	8'	0'	4'	0'	0'	5'	0'	0'	
3"	5	3	1	1	1	7	4	7	7	2	7	15		
6"	40	18	4	1	1	42	16	42	42	8	42	86		
1'	72	35	7	2	1	76	32	76	74	14	74	160		
2'	71	39	11	4	2	79	46	79	75	22	75	179		
3'	38	26	10	4	3	46	34	46	44	20	44	118		
4'	23	17	8	4	2	31	24	31	27	16	27	84		
5'	14	11	6	3	2	20	18	20	18	12	18	56		
6'	8	7	4	3	1	14	12	14	10	8	10	38		
7'	5	4	3	2	1	9	8	9	7	6	7	25		
8'	3	3	2	2	1	7	6	7	5	4	5	19		

Vertical Footcandle Distribution on Wall Surface

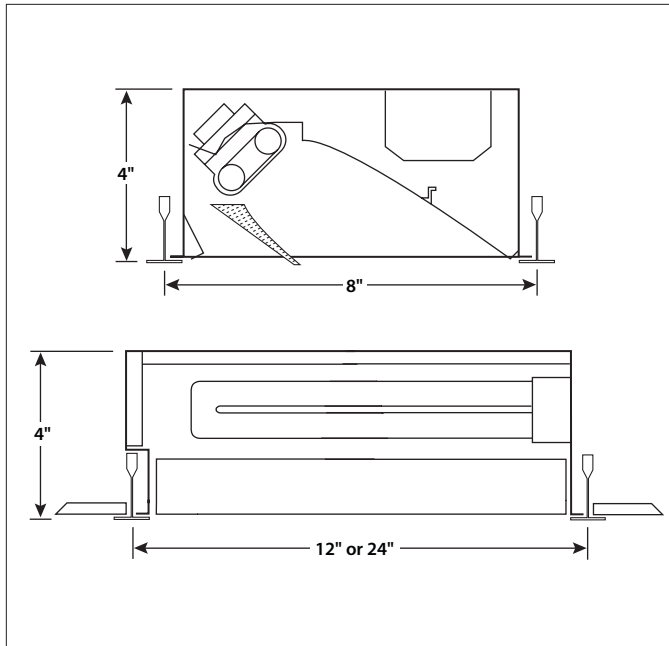
ZONAL LUMEN SUMMARY

Zone	Lumens	% Lamp	% Fixt.
0-30	435	13.8	30.2
0-40	1009	32.0	69.9
0-60	1444	45.8	100.0
0-90	1444	45.8	100.0
0-180	4305	68.3	100.0

AVG. LUMINANCE (Candela/Sq. M.)

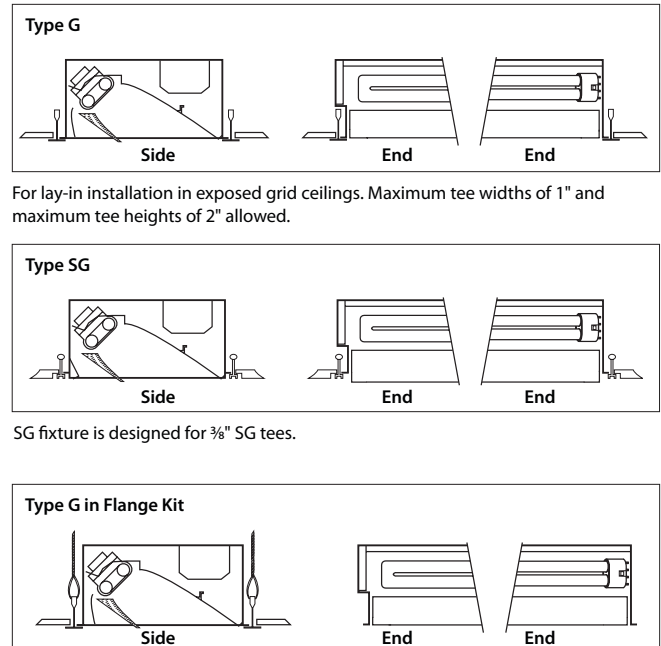
	90.0	135.0	180.0	225.0	270.0
0	1142	1142	1142	1142	1142
30	12214	9307	1221	232	110
40	14126	11185	1243	110	55
45	15184	11653	1242	75	45
50	16489	12572	1234	66	49
55	17132	13352	1199	55	37
60	16628	14386	1185	42	42
65	15318	14767	1151	50	25
70	13886	13639	1082	62	31
75	14100	11484	1063	41	41
80	14742	11269	1036	61	61
85	16385	12623	1456	121	121

DIMENSIONAL DATA



NOTE: All dimensions are in inches; dimensions and specifications are subject to change without notice. Please consult factory or check sample for verification.

CEILING COMPATIBILITY



For lay-in installation in exposed grid ceilings. Maximum tee widths of 1" and maximum tee heights of 2" allowed.

SG fixture is designed for 3/8" SG tees.

For hard ceiling applications, "G" fixtures are provided with a Flange Kit that wires directly into the concealed ceiling opening for a clean finished appearance. For flange fixtures in row configurations contact your local Columbia representative.

Flange kit cut out dimensions for single unit only:
PWFK1: (1') - 8 3/8" x 12 3/8", PWFK2: (2') - 8 3/8" x 24 3/8"