

**FEATURES**

- Wall washing makes an environment appear larger and brighter
- Effective wall wash with cross lamp shielding
- Wide light distribution provides uniform illumination at up to 8' spacings
- Models available with unique kicker reflector for wall wash directs majority of light with highest angle distribution
- Used at ends and sides of parabolic rows to reduce contrast ratios
- Anodized low iridescent aluminum internal reflector
- Ideal for office, retail, or video conferencing
- White powder coat finish painted after fabrication

**PROJECT INFORMATION**

Project Name \_\_\_\_\_

Type \_\_\_\_\_

Catalog No. \_\_\_\_\_

Date \_\_\_\_\_

**CONSTRUCTION**

Luminaire housing and end caps are die formed code gauge cold rolled steel. Internal reflectors constructed of low iridescent diffuse silver anodized aluminum provide smooth wall wash distribution. Gray enamel aluminum baffle assembly provides shielding along the lamps. Baffle assembly hinges from the room side and fastens with two trigger latches hidden in upper front reflector.

**FINISH**

White painted parts are treated with a five stage phosphate bonding process and finished after fabrication with a minimum 90% reflective gloss baked enamel.

**INSTALLATION**

An access plate is furnished with each luminaire for fast wiring access from the plenum. No need to open fixture. For optimum beam spread position fixture 2 1/2'-4' from target wall.

**BALLASTS**

Energy efficient, thermally protected, automatic resetting, Class P, high power factor, sound rated A, magnetic or electronic ballasts. CEE NEMA Premium compliant.

**ELECTRICAL**

Standard class "P", thermally protected, autoresetting HPF ballast, sound rated A. CEE NEMA Premium compliant. All ballast leads extend a minimum of 6" through access location. NEC/CEC-compliant ballast disconnect is standard.

**CEILING COMPATIBILITY**

Luminaire is available to fit most standard ceiling types. NEC-compliant T-bar clips supplied with all grid trim fixtures. See ceiling details on reverse. For hard ceilings order G trim and FK flange accessory. Assemble then support FK accessory at ceiling plane using tie wires (by others). Contact your Columbia representative for compatibility information for specific ceiling types.

**CERTIFICATION**

All luminaires are built to UL 1598 standards and bear appropriate UL and cUL or CSA labels. Damp location labeling is standard. Emergency-equipped fixtures labeled UL 924.

**ORDERING INFORMATION**

**EXAMPLE PW82-117G-LDB-EU**

<b>PW</b>	<b>-</b>	<b>1</b>	<b>-</b>	<b>LD</b>	<b>B</b>	<b>-</b>	<b>-</b>
<b>MODEL</b>	<b>NO. OF LAMPS</b>	<b>CEILING TYPE</b>	<b>APERTURE</b>	<b>VOLTAGE</b>	<b>OPTIONS</b>	<b>SIZE</b>	<b>LAMP TYPE</b>
<b>PW</b> Parawash Recessed Wall Wash	<b>1</b> One	<b>G</b> Grid <b>SG</b> Slot Grid <b>SM</b> Surface Mount* <small>* N/A in PW81 For hard ceiling, use "G" fixture and flange kit.</small>	<b>B</b> Cross Baffle	<b>U</b> 120V-277V <b>347</b> 347V	<b>GMF</b> Slow Blow Fuse <b>GLR</b> Fast Blow Fuse <b>EL</b> Emergency Battery Pack <b>MS9</b> Master/Satellite Pair w/9' Harness <b>NYC</b> NYC Compliant <b>NYCU</b> NYC Compliant, Union Label	<b>81</b> 8" x 1' <b>82</b> 8" x 2'	<b>18TT</b> 1' Twin Tube Compact, 18 Watt <b>40TT</b> 2' Twin Tube Compact, 2G11 Base: 40 Watt <b>17</b> 2', T8: 17 Watt <b>14</b> 2', T5: 14 Watt <b>24</b> 2', T5HO: 24 Watt
		<b>REFLECTOR FINISH</b>	<b>BALLAST</b>	<b>ACCESSORIES (ORDER SEPARATELY)</b>			
		<b>LD</b> Low Iridescence Semi-Specular	<b>E</b> Electronic T8, Instant Start <b>EPTT</b> Electronic Twin Tube (Specify voltage) <small>For a specific ballast vendor, show as option.</small>	<b>FK81</b> Flange Kit, 1' Single Unit <b>FK82</b> Flange Kit, 2' Single Unit			

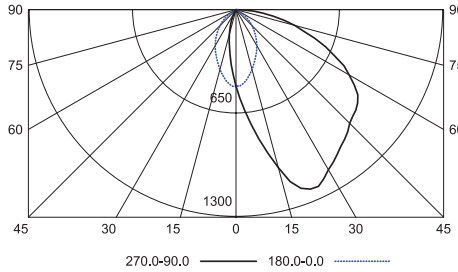
**PHOTOMETRIC DATA**

Test 11273 Test Date 1/8/03

**LUMINAIRE DATA**

Luminaire	PW82-140TTG-LDB-EBTT PW Parabolic 8" x 24" 1-Lamp Linear Wall Wash with 1 x 9 Cell Louver
Ballast	B240I120HP
Ballast Factor	1.00
Lamp	F40BX
Lumens per Lamp	3150
Watts	41
Shielding Angle	N/A
Spacing Criterion	0° = N/A 90° = N/A

**INDOOR CANDELA PLOT**



**ENERGY DATA**

Total Luminaire Efficiency	41.5%
Luminaire Efficacy Rating (LER)	32
IESNA RP-1-1993 Compliance	Non-compliant
Comparative Yearly Lighting Energy Cost per 1000 Lumens	\$7.50 based on 3000 hrs. and \$0.08 per KWH

**2' CROSS BAFFLE, ONE 40W BIAIX LAMP**

Fixture Mtg. 2½' from wall to Ctr.	Single Unit Distance from Center	Multiple Units on 8' Center				Multiple Units on 10' Center				Multiple Units on Continuous Rows		
		0'	2'	4'	6'	0'	2'	4'	6'			
3"	10	1	1	1	1	11	2	11	11	2	11	16
6"	31	3	1	1	1	32	6	32	32	2	32	41
1'	60	8	1	1	1	61	16	61	61	2	61	80
2'	58	20	2	1	1	60	40	60	59	14	59	104
3'	36	18	3	1	1	39	36	39	37	18	37	98
4'	23	13	4	2	1	27	26	27	24	16	24	69
5'	14	9	4	2	1	18	18	18	16	14	16	44
6'	9	6	4	2	1	13	12	13	11	8	11	33
7'	6	4	3	2	1	9	8	9	7	8	7	22
8'	4	3	2	2	1	6	6	6	5	6	5	16

Vertical Footcandle Distribution on Wall Surface

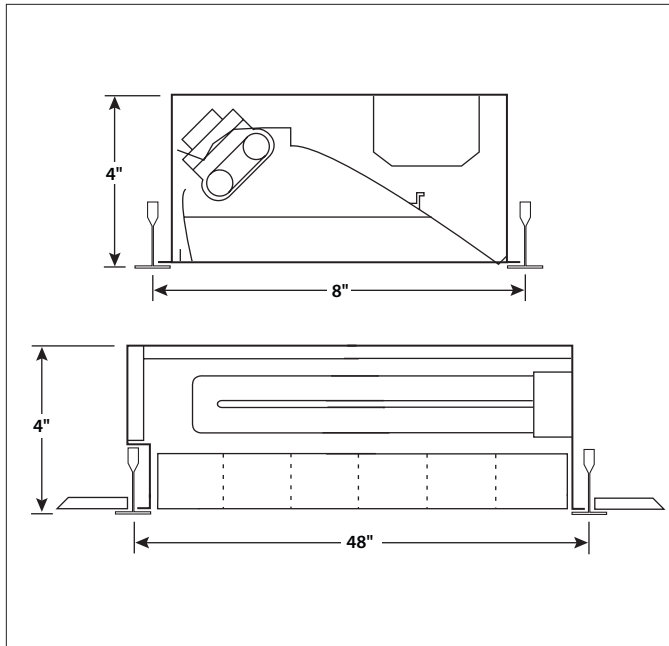
**ZONAL LUMEN SUMMARY**

Zone	Lumens	% Lamp	% Fixt.
0-30	402	12.8	30.8
0-40	654	20.8	50.1
0-60	1109	35.2	84.9
0-90	1306	41.5	100.0
0-180	1306	41.5	100.0

**AVG. LUMINANCE (Candela/Sq. M.)**

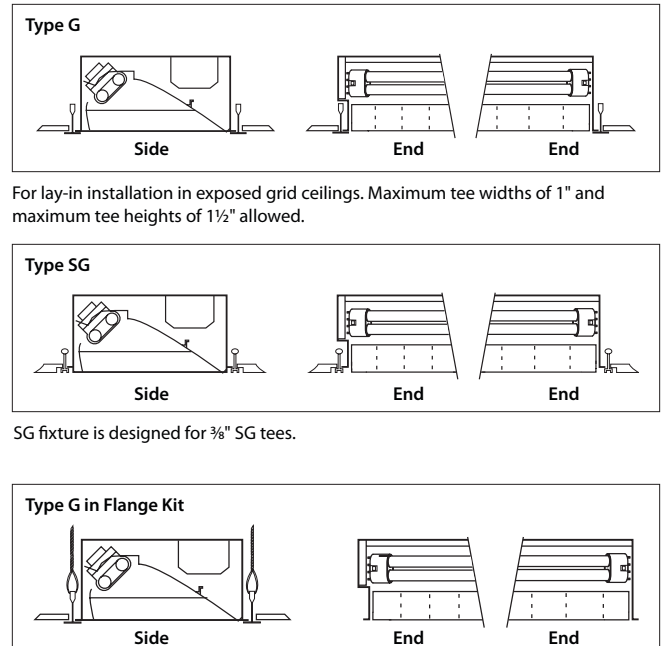
	90.0	135.0	180.0	225.0	270.0
0	5620	5620	5620	5620	5620
30	15678	11833	3535	796	175
40	16214	10799	2761	183	76
45	16706	10047	2346	182	83
50	17869	9253	1872	164	91
55	19047	8271	1324	163	102
60	19210	6987	631	164	117
65	18773	4617	387	166	55
70	18004	1606	307	171	34
75	17201	1264	226	135	45
80	15948	1077	202	135	67
85	15418	939	134	134	0

**DIMENSIONAL DATA**



**NOTE:** All dimensions are in inches; dimensions and specifications are subject to change without notice. Please consult factory or check sample for verification.

**CEILING COMPATIBILITY**



**Flange kit cut out dimensions for single unit only:**  
PWFK1: (1') - 8¾" x 12¾", PWFK2: (2') - 8¾" x 24¾"