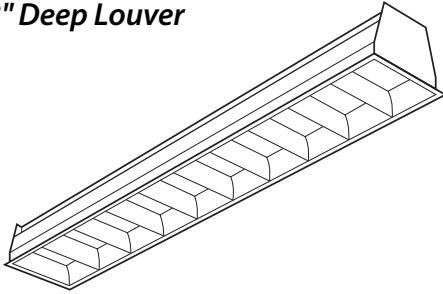


3" Deep Louver



FEATURES

- 3" deep cell louver combined with maximum luminous opening, ideal for retail environments
- Meets IES standard RP-1 glare control
- Ideal for today's electronic office
- Wide light distribution provides uniform illumination
- Utilizes the entire opening of the module to maximize light output
- Anodized aluminum louver, low iridescent available for tri-phosphor lamps
- Surface and pendant mount available

PROJECT INFORMATION

Project Name _____

Type _____

Catalog No. _____

Date _____

CONSTRUCTION

Luminaire housing and end caps are die formed code gauge cold rolled steel. Reflecting surfaces of body and reflector/wireway covers create parabolic contour for precise distribution control. Louver is formed from low iridescent anodized aluminum and is secured by die-formed spring steel hinges. Louver hinges from either side. Mechanical light trap prevents light leaks. Latches are finger-tip actuated, positive feed type.

FINISH

Painted parts are treated with a five stage phosphate bonding process and finished with a high reflectance baked white enamel.

AIR HANDLING

Standard luminaire is static. Air extract option available with or without dampers to remove room air and cool lamps.

INSTALLATION

An access plate is furnished with each luminaire for fast wiring access from the plenum. No need to open fixture. Product ships standard with mylar dust cover to eliminate job site contamination.

BALLASTS

Energy efficient, thermally protected, automatic resetting, Class P, high power factor, sound rated A, magnetic or electronic ballasts. CEE NEMA Premium compliant.

ELECTRICAL

Standard class "P", thermally protected, autoresetting HPF ballast, sound rated A. CEE NEMA Premium compliant. All ballast leads extend a minimum of 6" through access location. NEC/CEC-compliant ballast disconnect is standard.

CEILING COMPATIBILITY

Luminaire is available to fit most standard ceiling types. NEC-compliant T-bar clips supplied with all grid trim fixtures. See ceiling details on reverse. Contact your Columbia representative for compatibility information for specific ceiling types.

SURFACE OR PENDANT MOUNT

Companion surface or pendant mount version (SM ceiling type) matches performance and aesthetics of recessed versions.

CERTIFICATION

All luminaires are built to UL 1598 standards and bear appropriate UL and cUL or CSA labels. Damp location labeling is standard. Emergency-equipped fixtures labeled UL 924.

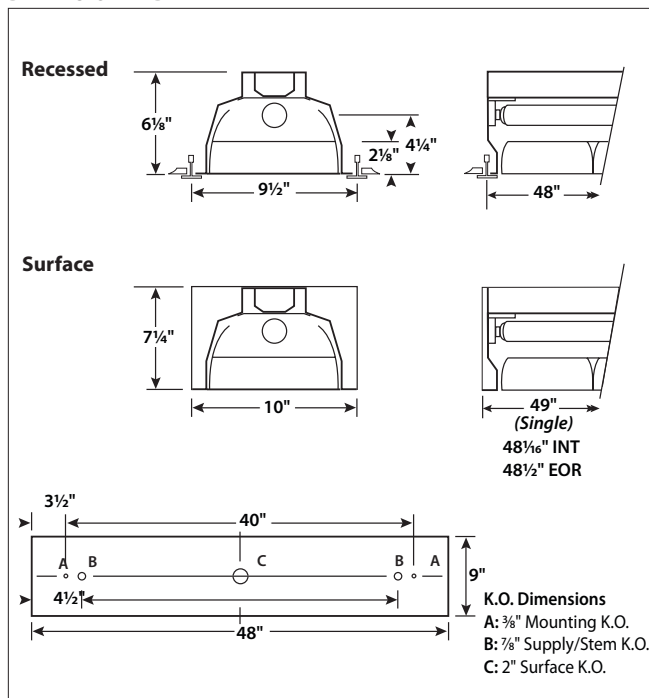
ORDERING INFORMATION

EXAMPLE P294-154G-LD110-S-EPU

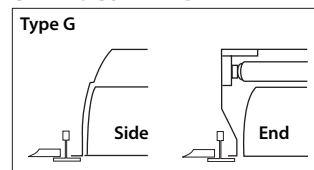
P2	94			1	10		
MODEL	NO. OF LAMPS	CEILING TYPE	NO. CELLS CROSSWISE	NO. CELLS LENGTHWISE	BALLAST	OPTIONS	
P2 High Efficiency Static Parabolic	1 One 2 Two	G Grid F Overlap Flange M Modular Fit-in Trim SM Surface Mount (Static only)	1 One	10 Ten	E Electronic T8, Instant Start EP Electronic T5, T5HO or T8, Programmed Start For a specific ballast vendor, show as option.	F0735 35K 75 CRI T8 Lamps Installed F0835 35K 80 CRI T8 Lamps Installed F5835 35K 80 CRI T5 Lamps Installed GLR Fast Blow Fuse GMF Slow Blow Fuse EL Emergency Battery Pack MS9 Master/Satellite w/9' Harness	
SIZE	LAMP TYPE	LOUVER FINISH	AIR FUNCTIONS		VOLTAGE		
94 9" x 4'	28 4', T5: 28 Watt 32 4', T8: 32, 30, 28 or 25 Watt 54 4', T5HO: 54 or 51 Watt	LD Low Iridescent Semi-Specular (Std.) LS Low Iridescent Specular MA Matte Anodized Low Iridescent Semi-Specular Aluminum	S Static H Heat Extract HD Heat Extract w/Dampers		U 120V-277V 347 347V		

PHOTOMETRIC DATA - CONTACT FACTORY

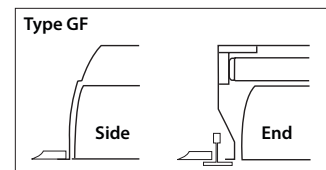
DIMENSIONAL DATA



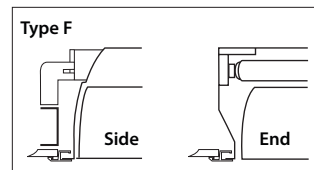
CEILING COMPATIBILITY



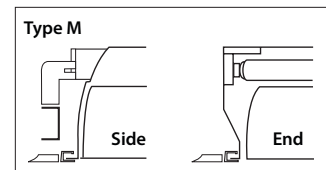
For lay-in installation in exposed grid ceilings. Maximum tee widths of 1" and maximum tee heights of 2" allowed.



For lay-in installation in grid ceiling. Fixture mounts on exposed tees at end of fixture. Self flange attached to side supports tile eliminating need for intermediary tees.



For tile, plaster or plasterboard type ceilings. Overlapping extruded aluminum trim conceals edges of ceiling opening. Wing hanger suspension system included. For row mounting, row information is required.



For metal pan ceilings "fit-in" style extruded trim aligns with modular tile joints. Fixture is supported with concealed suspension and includes all adjustable wing hangers.

Flange kit rough in dimensions for single unit only: 9" x 48"

NOTE: All dimensions are in inches; dimensions and specifications are subject to change without notice. Please consult factory or check sample for verification.