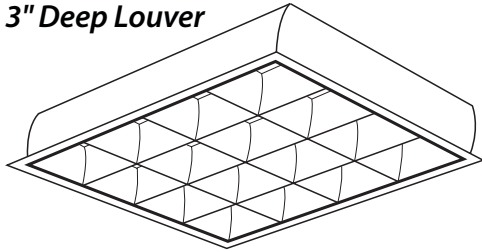


### 3" Deep Louver



Also available with 9 cells

### FEATURES

- 3" deep cell louver combined with maximum luminous opening, ideal for retail environments
- Meets IES standard RP-1 glare control
- Ideal for today's electronic office
- Wide light distribution provides uniform illumination
- Utilizes the entire opening of the module to maximize light output
- Anodized aluminum louver, low iridescent available for tri-phosphor lamps
- Surface and pendant mount available

### PROJECT INFORMATION

Project Name \_\_\_\_\_

Type \_\_\_\_\_

Catalog No. \_\_\_\_\_

Date \_\_\_\_\_

### CONSTRUCTION

Luminaire housing and end caps are die formed code gauge cold rolled steel. Reflecting surfaces of body and reflector/wireway covers create parabolic contour for precise distribution control. Louver is formed from low iridescent anodized aluminum and is secured by die-formed spring steel hinges. Louver hinges from either side. Mechanical light trap prevents light leaks. Latches are finger-tip actuated, positive feed type.

### FINISH

Painted parts are treated with a five stage phosphate bonding process and finished with a high reflectance baked white enamel.

### AIR HANDLING

Standard luminaire is static. Air extract option available with or without dampers to remove room air and cool lamps.

### INSTALLATION

An access plate is furnished with each luminaire for fast wiring access from the plenum. No need to open fixture. Product ships standard with mylar dust cover to eliminate job site contamination.

### BALLASTS

Energy efficient, thermally protected, automatic resetting, Class P, high power factor, sound rated A, magnetic or electronic ballasts. CEE NEMA Premium compliant.

### ELECTRICAL

Standard class "P", thermally protected, autoresetting HPF ballast, sound rated A. CEE NEMA Premium compliant. All ballast leads extend a minimum of 6" through access location. NEC/CEC-compliant ballast disconnect is standard.

### CEILING COMPATIBILITY

Luminaire is available to fit most standard ceiling types. NEC-compliant T-bar clips supplied with all grid trim fixtures. See ceiling details on reverse. Contact your Columbia representative for compatibility information for specific ceiling types.

### SURFACE OR PENDANT MOUNT

Companion surface or pendant mount version (SM ceiling type) matches performance and aesthetics of recessed versions.

### CERTIFICATION

All luminaires are built to UL 1598 standards and bear appropriate UL and cUL or CSA labels. Damp location labeling is standard. Emergency-equipped fixtures labeled UL 924.

## ORDERING INFORMATION

## EXAMPLE P222-240TTG-LD44-S-EPTTU

MODEL	NO. OF LAMPS	CEILING TYPE	NO. CELLS CROSSWISE	NO. CELLS LENGTHWISE	BALLAST	OPTIONS <sup>1</sup>
P2 High Efficiency Static Parabolic	2 Two 3 Three	G Grid F Overlap Flange M Modular Fit-in Trim SM Surface Mount (Static only)	3 Three 4 Four	3 Three 4 Four	E Electronic T8, Instant Start EPTT Electronic Twin Tube, Programmed Start	GLR Fast Blow Fuse GMF Slow Blow Fuse EL Emergency Battery Pack MS9 Master/Satellite w/9' Harness 2BC Blank 2 <sup>nd</sup> Channel Cover (3-Lamp 33 and 34 louvers only)
SIZE	LAMP TYPE	LOUVER FINISH	AIR FUNCTIONS	VOLTAGE		
22 2' x 2'	32U6 U-Bent, 6" Leg Spacing T8: 32 Watt 31U1 U-Bent, 1 5/8" Leg Spacing T8: 31 Watt 40TT Twin Tube Compact, 2G11 Base: 40 Watt 17 2', T8: 17 Watt	LD Low Iridescent Semi-Specular (Std.) LS Low Iridescent Specular MA Matte Anodized Low Iridescent Semi-Specular Aluminum	S Static H Heat Extract HD Heat Extract w/Dampers	U 120V-277V 347 347V		

<sup>1</sup> EL or other options may increase fixture depth.

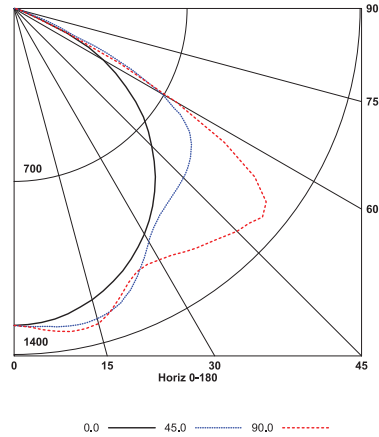
### PHOTOMETRIC DATA

Test 10070 Test Date 1/8/03

#### LUMINAIRE DATA

Luminaire	P222-231U1G-LD33-E P2 Parabolic 2 x 2 2-Lamp with 3 x 3 Cell Semi-Specular Louver
Ballast	B232I120
Ballast Factor	0.96
Lamp	FB031/31K
Lumens per Lamp	2800
Watts	58
Shielding Angle	N/A

#### INDOOR CANDELA PLOT



#### ENERGY DATA

Total Luminaire Efficiency	63.7%
Luminaire Efficacy Rating (LER)	59
ANSI/IESNA RP-1-2004 Compliance	Noncompliant
Comparative Yearly Lighting Energy Cost per 1000 Lumens	\$4.07 based on 3000 hrs. and \$0.08 per KWH

#### AVG. LUMINANCE (Candela/Sq. M.)

	0.0	22.5	45.0	67.5	90.0
0	3925	3925	3925	3925	3925
30	3726	3949	3850	4013	4151
40	3553	3709	3969	4620	4932
45	3408	3525	4196	5066	5521
50	3253	3377	4439	5583	6249
55	2947	3267	4617	5856	6347
60	2554	3068	4237	4648	4636
65	1717	2297	2601	2058	1789
70	457	645	806	466	430
75	248	296	272	260	260
80	159	194	194	194	176
85	105	141	141	141	105

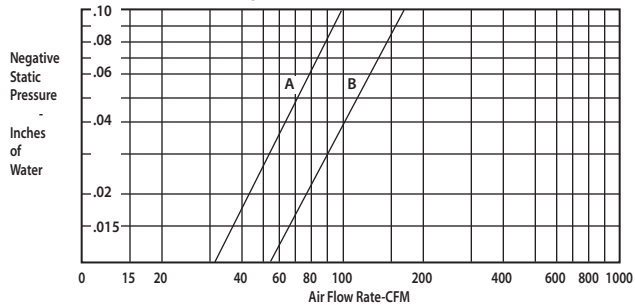
#### ZONAL LUMEN SUMMARY

Zone	Lumens	% Lamp	% Fixt.
0-30	1027	18.3	28.8
0-40	1700	30.4	47.7
0-60	3217	57.4	90.2
0-90	3565	63.7	100.0
0-180	3565	63.7	100.0

#### COEFFICIENTS OF UTILIZATION (%)

RCR	80				70				50				0
	RW	70	50	30	10	70	50	30	10	50	30	10	0
1	70	68	66	64	69	66	64	62	64	62	61	56	0
2	65	60	56	53	63	59	55	52	57	54	51	48	0
3	59	53	48	45	58	52	48	44	50	46	43	41	0
4	54	47	42	38	53	46	41	38	45	40	37	35	0
5	50	42	37	33	49	41	36	32	40	36	32	30	0
6	46	38	32	28	45	37	32	28	36	31	28	26	0
7	43	34	29	25	41	34	29	25	33	28	25	23	0
8	40	31	26	22	39	31	26	22	30	25	22	21	0
9	37	29	23	20	36	28	23	20	27	23	20	18	0
10	35	26	21	18	34	26	21	18	25	21	18	17	0

#### EXTRACT AIR DATA Report AL-437-1.1

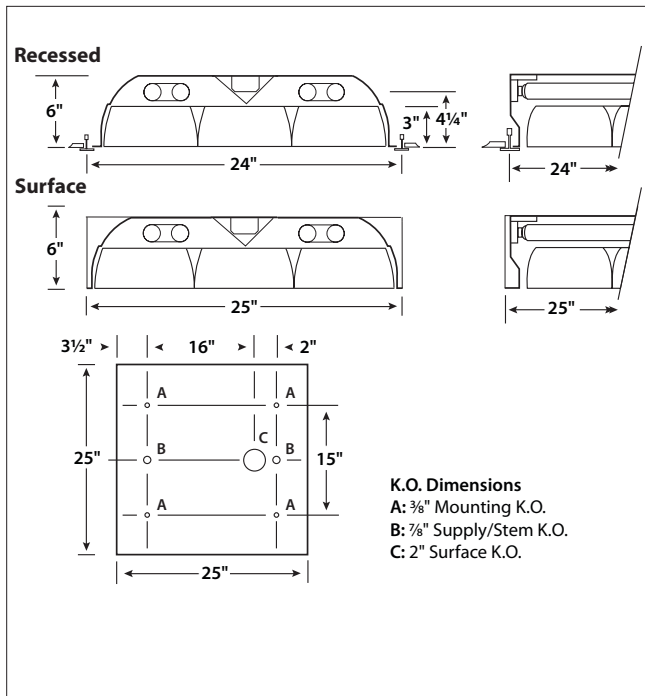


RCR = Room Cavity Ratio

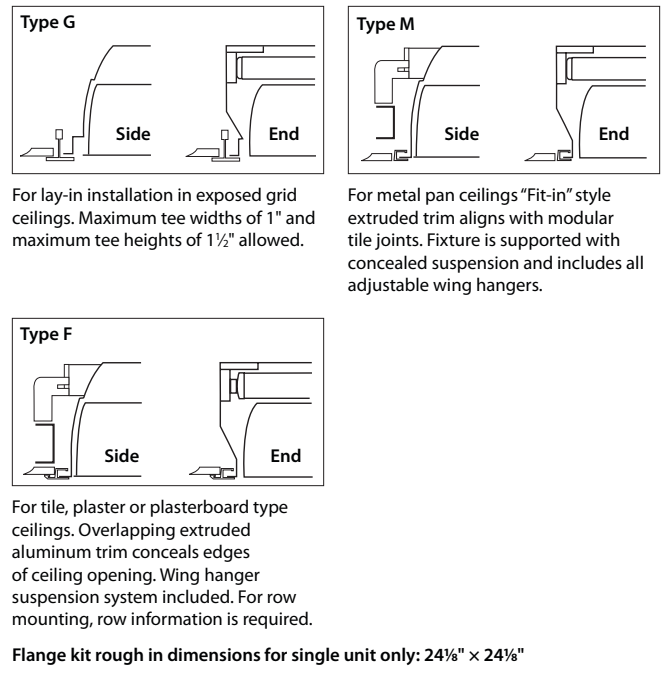
RC = Effective Ceiling Cavity Reflectance RW = Wall Reflectance

A - Extract Luminaire B - Exhaust Luminaire

#### DIMENSIONAL DATA



#### CEILING COMPATIBILITY



**NOTE:** All dimensions are in inches; dimensions and specifications are subject to change without notice. Please consult factory or check sample for verification.