

FEATURES

- Circular recessed fluorescent fixture is truly a distinctive light source that provides the highest quality illumination while meeting demanding architectural and aesthetic requirements
- 9" deep housing insures that there are no lamp images
- Choice of 2', 3', or 4' diameter fixtures
- Deep plaster flange accommodates a wide variety of thick ceilings
- 18 gauge steel plaster ring fits snug with the ceiling ensuring no light leaks around the fixture
- Steel lens hold down clip holds lens firmly in place
- Thick, arched acrylic diffuser conceals light source yet permits high transmission of diffused light
- Circular shape presents a bold design element
- Damp label standard

PROJECT INFORMATION

Project Name _____

Type _____

Catalog No. _____

Date _____

HOUSING

Fixture is constructed of code gauge steel. Plaster frame is constructed of 18 gauge steel. The fixture is designed for installation in NEMA type "F" ceilings (cannot be installed in NEMA type "G" ceilings). The spring loaded steel trim fits snug with the ceiling. The fixture housing is completely concealed when mounted. M46 fixture must be installed prior to ceiling installation.

SHIELDING

Standard lens is a color stabilized translucent white with a non-reflecting matte exterior surface. Lens is held firmly in place by steel lens hold down clips. A steel door frame retains the lens in the correct position. The door frame is retained by torsion springs constructed of spring steel.

ELECTRICAL

Standard class "P", thermally protected, auto-resetting HPF ballast, sound rated A. All ballast leads extend a minimum of 6" through access location. NEC/CEC-compliant ballast disconnect is standard.

CERTIFICATION

All luminaires are built to UL 1598 standards and bear appropriate UL and cUL or CSA labels. Damp location labeling is standard. Emergency-equipped fixtures labeled UL 924.

FINISH

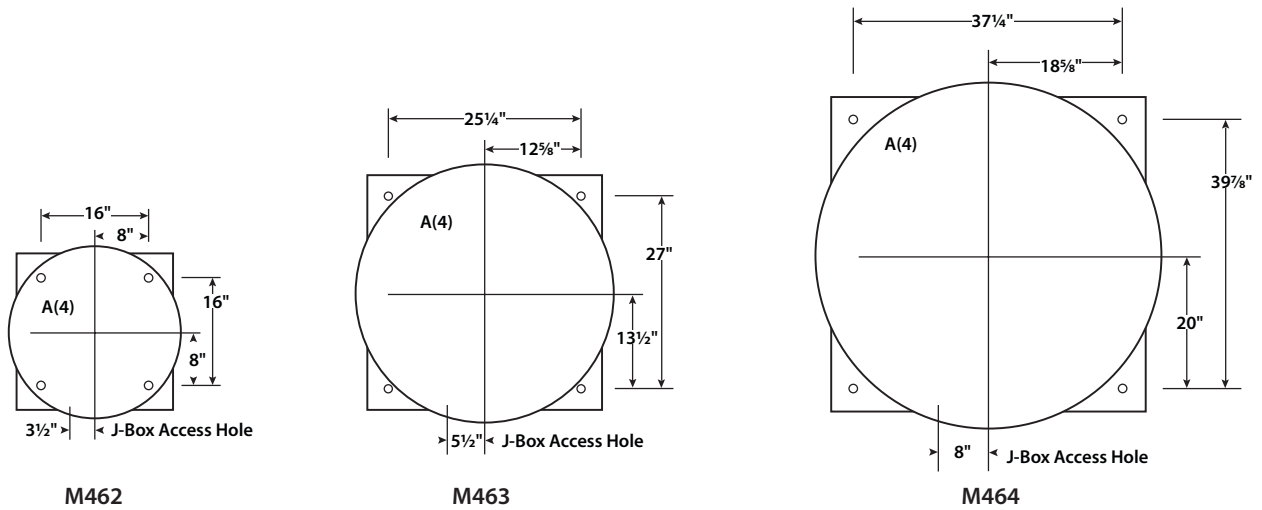
All metal parts processed with a multi-stage phosphate bonding treatment and finished with a high reflectance baked white enamel after fabrication.

ORDERING INFORMATION

EXAMPLE M464-832F-FSOP-4EU-GLR

| M46 - | | F - FS | | OP - | | | |
|---|--|-----------------------------|---|------------------------------|---|--|--|
| MODEL | NO. OF LAMPS | CEILING TYPE | SHIELDING | VOLTAGE | OPTIONS | | |
| M46 Specification Grade Circular Regressed Static Troffer | 2 Two 4 Four 6 Six 8 Eight | F Overlap Flange | OP Translucent White Lens | U 120V-277V 347 347V | GLR Fast Blow Fuse EL Emergency Battery Pack NYC NYC Compliant NYCU NYC Compliant, Union Label | | |
| SIZE | LAMP TYPE | DOOR STYLE | BALLAST | BASIC FIXTURE WEIGHTS | | | |
| 2 2' Diameter | 14 2', T5: 14 Watt | FS White Flush Steel (std.) | E Electronic T8, Instant Start | M462 - 240U6F 33 lbs. | | | |
| 3 3' Diameter | 17 2', T8: 17 Watt | | 3E 3-Lamp Electronic T8, Instant Start | M462 - 420F 37 lbs. | | | |
| 4 4' Diameter | 21 3', T5: 21 Watt | | 4E 4-Lamp Electronic T8, Instant Start | M462 - 620F 42 lbs. | | | |
| | 24 2', T5HO: 24 Watt | | 24E (1) 2-Lamp and (1) 4-Lamp Electronic T8, Instant Start | M463 - 430F 59 lbs. | | | |
| | 25 3', T8: 25 Watt | | EP Electronic T5 or T8, Programmed Start | M463 - 630F 63 lbs. | | | |
| | 28 4', T5: 28 Watt | | 3EP 3-Lamp Electronic T5 (HO only) or T8, Programmed Start | M464 - 440F 86 lbs. | | | |
| | 31U1 U-Bent, 1 7/8" Leg Spacing, T8: 31 Watt | | 4EP 4-Lamp Electronic T5 (HO only) (N/A 347V) or T8, Programmed Start | M464 - 640F 90 lbs. | | | |
| | 32 4', T8: 32, 30, 28 or 25 Watt | | | M464 - 840F 94 lbs. | | | |
| | 32U6 U-Bent, 6" Leg Spacing, T8: 32 Watt | | | | | | |
| | 39 3', T5HO: 39 Watt | | | | | | |
| | 40TT Twin Tube Compact, 2G11 Base: 40 Watt | | | | | | |
| | 54 4', T5HO: 54 or 51 Watt | | | | | | |

INSTALLATION DIMENSIONS



Legend

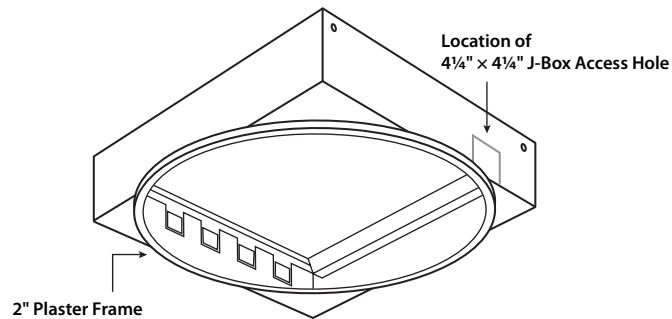
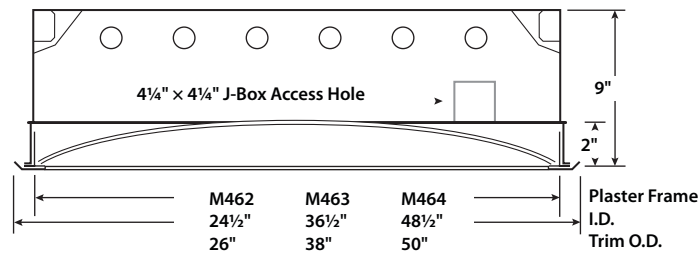
A: 1/2" Diameter rod mounting K.O.

Note: Fixture designed for Rod Hangers - by others.

M463 and M464 are furnished with four (4) each 7/8" wiring access K.O. on back pan.

M462 has two (2) each 7/8" wiring access K.O.'s on fixture ends only.

DIMENSIONAL DATA



Plaster frame is an integral part of fixture construction. It cannot be shipped separate from fixture.

NOTE: All dimensions are in inches; dimensions and specifications are subject to change without notice. Please consult factory or check sample for verification.