

FEATURES

- Non-metallic enclosure resists the destructive effects of most corrosive agents
- Smooth surfaces of housing and diffuser lens make cleaning easy. Housing and lens have no seams or crevices to trap dirt and dust
- Fixture housing has an inverted "U" slot which allows the diffuser to nest tightly, shedding water
- Neoprene gasketing is sandwiched between housing and diffuser forming an effective seal
- Diffuser lens is secured to the housing with captive, nonmetallic, snap-action cam latches
- Full steel liner for ballast heat dissipation and maximum reflectivity
- Ballast cover plates snap-lock without tools; eliminates loose hardware or fasteners
- UL listed 1958, cUL or CSA. Wet Location standard

PROJECT INFORMATION

Project Name _____

Type _____

Catalog No. _____

Date _____

ELECTRICAL

Standard class "P", thermally protected, auto-resetting HPF ballast, sound rated A. All ballast leads extend a minimum of 6" through access location. NEC/CEC-compliant ballast disconnect is standard.

HOUSING

One-piece, high-impact, molded polyester fiberglass with a cast waterproof hub (1/2" thread). Factory installed neoprene gasketing.

DIFFUSER

One-piece, impact-resistant 15% DR, molded acrylic. Smooth outside, prismatic pattern inside. Retained by molded ABS thermoplastic latches.

LINER

Heavy gauge die-formed steel.

FINISH

Housing - Cream tone fiberglass. Liner - Pre-painted high gloss baked white enamel, minimum 86% reflectance.

CERTIFICATION

All luminaires are built to UL 1598 standards and bear appropriate UL and cUL or CSA labels. Wet location labeling is standard. Emergency-equipped fixtures labeled UL 924.

ORDERING INFORMATION

EXAMPLE LUN8-296H0-EPU

LUN		-		-		-		-	
MODEL		NO. OF LAMPS IN CROSS SECTION		BALLAST		VOLTAGE		OPTIONS	
LUN	Enclosed and Gasketed Fiberglass Industrial	1	One	EP	Electronic, Programmed Start (std.)	U	120V-277V	GLR	Fast Blow Fuse
		2	Two	4EP	4-lamp Electronic, Programmed Start (only available on T5HO)	347	347V	PP	Prismatic Polycarbonate Lens
								DR	50% DR Acrylic Lens
								TP	Tamper Resistant Latches
								SSL	Stainless Steel Latches
								SSLTP	Tamper Resistant Stainless Steel Latches
								PAF	Paint After Fabrication
								EL	Emergency Battery Pack (Not available with Wet Location)
								NYC	NYC Compliant
								NYCU	NYC Compliant, Union Label

ACCESSORIES (ORDER SEPARATELY)

- HUBK** Stem Hanging Hubs
- LUNHK** Stainless Steel Hanging Kit For 1/2" Hubs, Chain Not Included
- PEBU** End Bracket Universal Surface Mount Kit
- PEBA** Adjustable Surface Mount Bracket Kit

PHOTOMETRIC DATA

LUMINAIRE DATA

Luminaire	LUN4-248T8HO LUN Industrial 8" x 50" 2-Lamp with Clear Stippled Acrylic Lens
Ballast	B286I120RH
Ballast Factor	0.85
Lamp	F48T8HO
Lumens per Lamp	4000
Watts	73
Mounting	Surface
Shielding Angle	0° = 90 90° = 90
Spacing Criterion	0° = 1.25 90° = 1.56
Luminous Opening in Feet	Length = 4.14 Width = 0.62 Height = 0.25

AVG. LUMINANCE (Candela/Sq. M.)

	0.0	22.5	45.0	67.5	90.0
0	5221	5221	5221	5221	5221
30	4908	4798	4947	5050	5130
40	4700	4635	4890	5018	5121
45	4547	4524	4806	4963	5101
50	4339	4367	4677	4903	5081
55	4059	4156	4507	4835	5043
60	3705	3874	4333	4773	5032
65	3303	3550	4195	4837	5188
70	2881	3242	4225	5135	5509
75	2473	3033	4554	5417	5725
80	2087	3030	4781	5338	5555
85	1708	3098	4470	4914	5190

ZONAL LUMEN SUMMARY

Zone	Lumens	Lamp	Fixt.
0-30	1036	13.0	17.4
0-40	1762	22.0	29.5
0-60	3358	42.0	56.2
0-90	5103	63.8	85.4
90-120	789	9.9	13.2
90-130	842	10.5	14.1
90-150	865	10.8	14.5
90-180	869	10.9	14.6
0-180	5972	74.7	100.0

COEFFICIENTS OF UTILIZATION (%)

RC	80					70					50					0
	RW	70	50	30	10	70	50	30	10	50	30	10	0			
1	76	72	68	64	73	69	65	62	64	61	58	49	0			
2	69	61	55	51	65	59	54	49	55	50	46	39	0			
3	62	53	46	41	59	51	45	40	47	42	38	32	0			
4	56	47	40	34	54	45	38	33	42	36	32	26	0			
5	52	41	34	29	49	40	33	28	37	31	27	22	0			
6	48	37	30	25	45	36	29	24	33	27	23	19	0			
7	44	33	26	22	42	32	26	21	30	24	20	17	0			
8	41	30	24	19	39	29	23	19	27	22	18	15	0			
9	38	28	21	17	36	27	21	17	25	20	16	13	0			
10	36	25	19	15	34	25	19	15	23	18	14	12	0			

RCR = Room Cavity Ratio

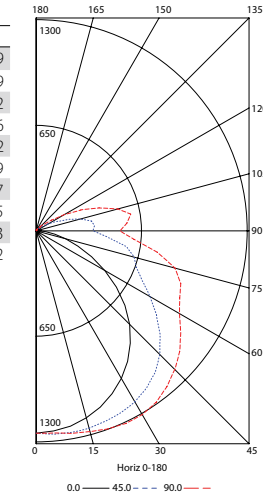
RC = Effective Ceiling Cavity Reflectance RW = Wall Reflectance

ENERGY DATA

Total Luminaire Efficiency	74.7%
Luminaire Efficacy Rating (LER)	70
IESNA RP-1-2004 Compliance	Non-Compliant
Comparative Yearly Lighting Energy Cost per 1000 Lumens	\$3.43 based on 3000 hrs. and \$0.08 per KWH

Test 13953 Test Date 5/19/05

INDOOR CANDELA PLOT



LUMINAIRE DATA

Luminaire	LUN8-296HO LUN Industrial 8" x 98" 2-Lamp Tandem with Clear Stippled Plastic Wrap Enclosure
Ballast	480-X-LH-TC-P
Ballast Factor	0.95
Lamp	F96T12HO
Lumens per Lamp	8800
Watts	230
Shielding Angle	N/A
Spacing Criterion	0° = 1.24 90° = 1.53
Luminous Opening in Feet	Length = 8.09 Width = 0.58 Height = 0.00

AVG. LUMINANCE (Candela/Sq. M.)

	0.0	22.5	45.0	67.5	90.0
0	5428	5428	5428	5428	5428
30	5179	5101	5222	5312	5350
40	4964	4932	5160	5345	5435
45	4800	4810	5100	5369	5483
50	4576	4631	5024	5373	5512
55	4296	4409	4925	5333	5483
60	3946	4146	4788	5246	5403
65	3567	3863	4654	5162	5317
70	3178	3581	4556	5091	5249
75	2775	3337	4492	5029	5201
80	2364	3123	4402	5020	5230
85	1950	2946	4443	5143	5369

ZONAL LUMEN SUMMARY

Zone	Lumens	Lamp	Fixt.
0-30	1955	11.1	17.8
0-40	3309	18.8	30.1
0-60	6282	35.7	57.1
0-90	9226	52.4	83.9
90-120	1567	8.9	14.2
90-130	1712	9.7	15.6
90-150	1770	10.1	16.1
90-180	1776	10.1	16.1
0-180	11002	62.5	100.0

COEFFICIENTS OF UTILIZATION (%)

RC	80					70					50					0
	RW	70	50	30	10	70	50	30	10	50	30	10	0			
1	64	61	57	54	61	58	55	53	54	51	49	41	0			
2	58	52	47	43	55	50	45	42	46	42	39	33	0			
3	52	45	39	35	50	43	38	34	40	36	32	27	0			
4	48	40	34	29	45	38	33	28	35	31	27	22	0			
5	44	35	29	25	41	34	28	24	31	27	23	19	0			
6	40	31	26	21	38	30	25	21	28	23	20	16	0			
7	37	28	23	19	35	27	22	18	25	21	17	14	0			
8	34	26	20	16	33	25	20	16	23	19	15	13	0			
9	32	23	18	15	31	23	18	14	21	17	14	11	0			
10	30	22	16	13	29	21	16	13	20	15	12	10	0			

RCR = Room Cavity Ratio

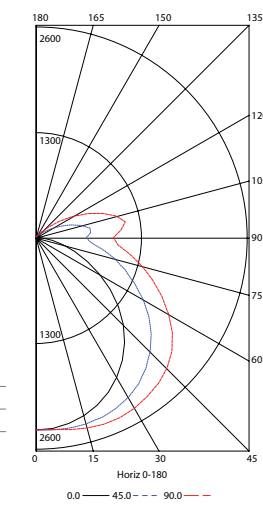
RC = Effective Ceiling Cavity Reflectance RW = Wall Reflectance

ENERGY DATA

Total Luminaire Efficiency	62.5%
Luminaire Efficacy Rating (LER)	45
IESNA RP-1-2004 Compliance	Non-Compliant
Comparative Yearly Lighting Energy Cost per 1000 Lumens	\$5.33 based on 3000 hrs. and \$0.08 per KWH

Test 11246 Test Date 1/8/03

INDOOR CANDELA PLOT



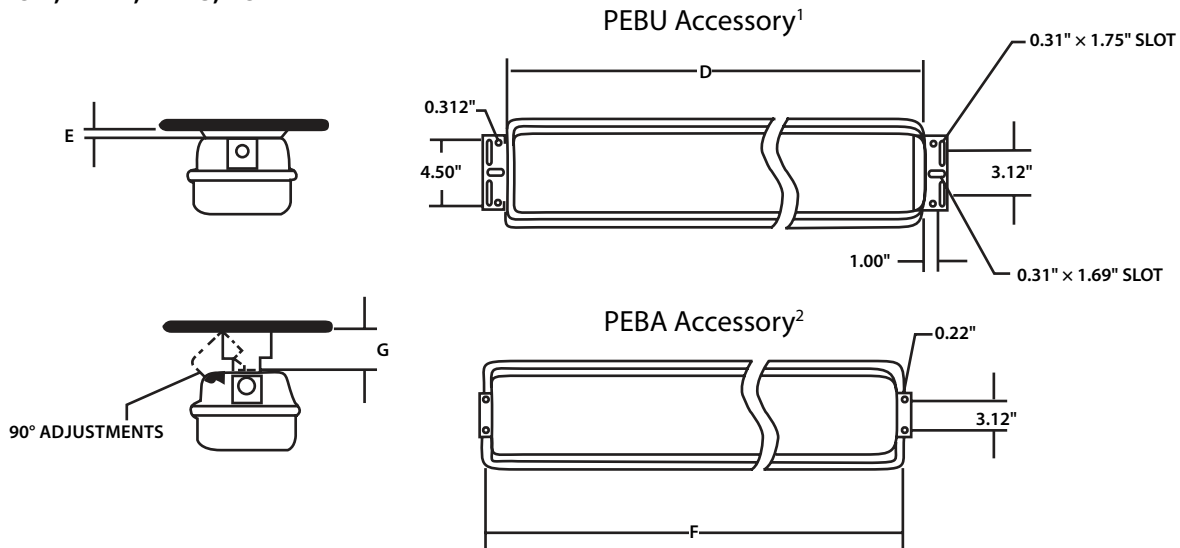
DIMENSIONAL DATA

Catalog Number	A	B	C	D	E
LUN4	5 ¹ / ₁₆ "	7 ⁷ / ₁₆ "	3"	41 ¹ / ₂ "	49 ¹³ / ₁₆ "
LUN8	5 ¹ / ₁₆ "	7 ⁷ / ₁₆ "	3"	89 ¹ / ₂ "	97 ¹³ / ₁₆ "

CAUTION: High output LUN fixtures should not be surface mounted or installed in areas of high ambient temperatures. To reduce risk of ballast cycling, LE ballasts are recommended.

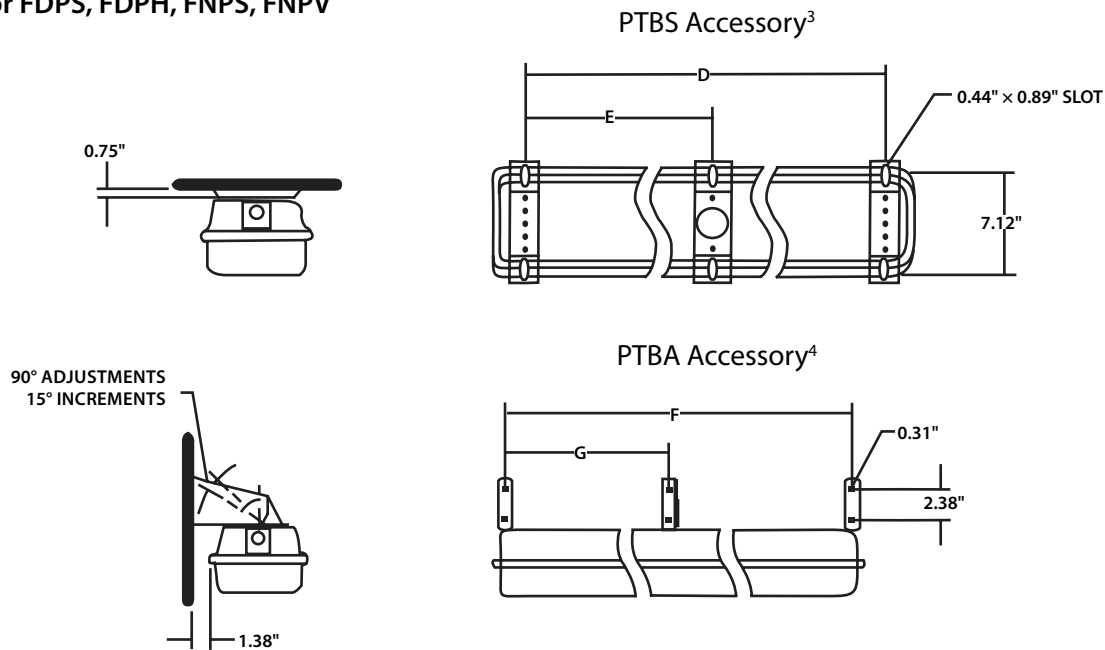
NOTE: Fixtures are designed for ceiling mounting only. All dimensions are in inches; dimensions and specifications are subject to change without notice. Please consult factory or check sample for verification.

For LUN, FNPV, FNPS, LU



	D	E	F	G
2'	25.75" (654 mm)	0" (0 mm)	25.75" (654 mm)	2.38" (60 mm)
4'	49.75" (1264 mm)	0.38 (10 mm)	49.75" (1264 mm)	2.75" (70 mm)
8'	97.75" (2483 mm)	0.38 (10 mm)	97.75" (2483 mm)	2.75 (70 mm)

For FDPS, FDPH, FNPS, FNPV



	D	E	F	G
4'	45.65" (1118 mm)	—	48.40" (1186 mm)	—
8'	93.65" (2294 mm)	46.83" (1147 mm)	96.40" (2362 mm)	46.83 (1147 mm)

¹ PEBU is for 3/4" hubs, PEBUHSMS is for 1/2" hubs.

² PEBA is for 3/4" hubs, PEBAHSMS is for 1/2" hubs.

³ PTBS has two mounting brackets; PTBS3 has three mounting brackets and only used with 8' fixtures.

⁴ PTBA has two mounting brackets; PTBA3 has three mounting brackets and only used with 8' fixtures.

NOTE: All dimensions are in inches; dimensions and specifications are subject to change without notice. Please consult factory or check sample for verification.