

**FEATURES**

- Non-metallic enclosure resists the destructive effects of most corrosive agents
- Smooth surfaces of housing and diffuser lens make cleaning easy. Housing and lens have no seams or crevices to trap dirt and dust
- Fixture housing has an inverted "U" slot which allows the diffuser to nest tightly, shedding water
- Neoprene gasketing is sandwiched between housing and diffuser forming an effective seal
- Diffuser lens is secured to the housing with captive, nonmetallic, snap-action cam latches
- Full steel liner for ballast heat dissipation and maximum reflectivity
- Ballast cover plates snap-lock without tools; eliminates loose hardware or fasteners
- UL listed 1958, cUL or CSA. Wet Location standard

**PROJECT INFORMATION**

Project Name \_\_\_\_\_

Type \_\_\_\_\_

Catalog No. \_\_\_\_\_

Date \_\_\_\_\_

**BALLASTS**

Energy efficient, thermally protected, automatic resetting, Class P, high power factor, sound rated A, unless otherwise specified. CEE NEMA Premium compliant.

**ELECTRICAL**

Standard class "P", thermally protected, auto-resetting HPF ballast, sound rated A. CEE NEMA Premium compliant. All ballast leads extend a minimum of 6" through access location. NEC/CEC-compliant ballast disconnect is standard.

**HOUSING**

One-piece, high-impact, molded polyester fiberglass with a cast waterproof hub (1/2" thread). Factory installed neoprene gasketing.

**DIFFUSER**

One-piece, impact-resistant 15% DR, molded acrylic. Smooth outside, prismatic pattern inside. Retained by molded ABS thermoplastic latches.

**LINER**

Heavy gauge die-formed steel.

**FINISH**

Housing - Cream tone fiberglass. Liner - Pre-painted high gloss baked white enamel, minimum 86% reflectance.

**CERTIFICATION**

All luminaires are built to UL 1598 standards and bear appropriate UL and cUL or CSA labels. Wet location labeling is standard. Emergency-equipped fixtures labeled UL 924.

**ORDERING INFORMATION**

**EXAMPLE LUN4-232-EU**

LUN		-		-		-		
MODEL	NO. OF LAMPS IN CROSS SECTION	BALLAST	VOLTAGE	OPTIONS				
LUN Enclosed and Gasketed Fiberglass Industrial	1 One 2 Two 3 Three	E Electronic, T8, Instant Start (Std.) EP Electronic, Programmed Start 3E 3-lamp Electronic, Instant Start (T8) 4E 4-lamp Electronic, Instant Start (T8) 3EP 3-lamp Electronic, Programmed Start 4EP 4-lamp Electronic, Programmed Start	U 120V-277V 347 347V	GLR Fast Blow Fuse PP Prismatic Polycarbonate Lens DR 50% DR Acrylic Lens TP Tamper Resistant Latches SSL Stainless Steel Latches SSLTP Tamper Resistant Stainless Steel Latches EL Emergency Battery Pack (Not Available with Wet Location) NYC NYC Compliant NYCU NYC Compliant, Union Label				
SIZE	LAMP TYPE							
2 2' 4 4' 8 8'	17 2', T8, 17 Watt 28 4', T5: 28 Watt 32 4', T8: 32, 30, 28 or 25 Watt 96 8', T12: 75 or 60 Watt 96T8 8', T8: 59 Watt							

**ACCESSORIES (ORDER SEPARATELY)**

- HUBK** Stem Hanging Hubs
- LUNHK** Stainless Steel Hanging Kit For 1/2" Hubs, Chain Not Included
- PEBU** End Bracket Universal Surface Mount Kit
- PEBA** Adjustable Surface Mount Bracket Kit

## PHOTOMETRIC DATA

### LUMINAIRE DATA

Luminaire	LUN4-232 LUN Industrial 8" x 50" 2-Lamp with Clear Stippled Plastic Wrap Enclosure
Ballast	B2321120RH-A
Ballast Factor	0.88
Lamp	F32T8
Lumens per Lamp	3100
Watts	56
Shielding Angle	N/A
Spacing Criterion	0° = 1.30 90° = 1.60
Luminous Opening in Feet	Length = 4.11 Width = 0.58 Height = 0.00

### AVG. LUMINANCE (Candela/Sq. M.)

	0.0	45.0	90.0
Avg. Luminance Angle	45	11575	14869
	55	10639	15887
	65	9171	18635
	75	8045	25490
	85	8870	41277

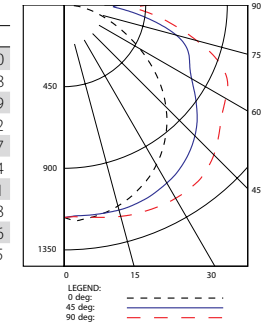
### ZONAL LUMEN SUMMARY

Zone	Lumens	Lamp	Fixt.
0-30	976	15.7	17.8
0-40	1665	26.9	30.3
0-60	3209	51.8	58.4
0-90	4857	78.3	88.4
90-180	637	10.3	11.6
0-180	5494	88.6	100.0

### COEFFICIENTS OF UTILIZATION (%)

RC	80					70					50					0
	RW	70	50	30	10	70	50	30	10	50	30	10	0			
1	91	86	82	77	88	83	79	75	77	74	71	60				
2	82	74	67	61	79	71	65	59	66	61	56	48				
3	74	64	55	49	71	61	54	48	57	51	46	39				
4	67	56	47	41	64	54	46	40	50	43	38	32				
5	62	49	41	34	59	48	40	34	45	38	32	27				
6	57	44	36	30	54	43	35	29	40	33	28	24				
7	52	40	31	26	50	38	31	25	36	29	24	21				
8	49	36	28	23	47	35	28	22	33	26	22	18				
9	45	33	25	20	43	32	25	20	30	24	19	16				
10	42	30	23	18	41	29	23	18	28	22	17	15				

### INDOOR CANDELA PLOT



RCR = Room Cavity Ratio

RC = Effective Ceiling Cavity Reflectance RW = Wall Reflectance

### ENERGY DATA

Total Luminaire Efficiency	88.6%
Luminaire Efficacy Rating (LER)	84
IESNA RP-1-2004 Compliance	Non-Compliant
Comparative Yearly Lighting Energy Cost per 1000 Lumens	\$4.21 based on 3000 hrs. and \$0.08 per KWH

### LUMINAIRE DATA

Luminaire	LUN8-232 LUN Industrial 8" x 98" 2-Lamp Tandem with Clear Stippled Plastic Wrap Enclosure
Ballast	B4321120RH
Ballast Factor	0.88
Lamp	F32T8
Lumens per Lamp	2900
Watts	111
Shielding Angle	N/A
Spacing Criterion	0° = 1.26 90° = 1.59
Luminous Opening in Feet	Length = 8.09 Width = 0.58 Height = 0.00

### AVG. LUMINANCE (Candela/Sq. M.)

	0.0	22.5	45.0	67.5	90.0
Average Luminance Angle	0	4675	4675	4675	4675
	30	4538	4813	5261	5618
	40	4387	4854	5651	6178
	45	4256	4876	5836	6437
	50	4076	4886	5992	6674
	55	3828	4879	6123	6959
	60	3542	4859	6318	7543
	65	3246	4853	6850	8718
	70	2965	4950	8096	10061
	75	2765	5407	9528	11195
	80	2669	6513	10991	13092
	85	2843	8712	15372	19241

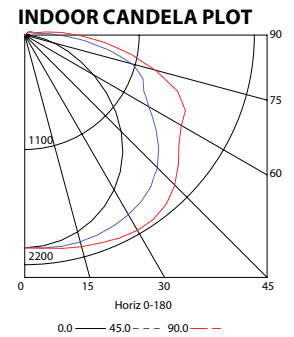
### ZONAL LUMEN SUMMARY

Zone	Lumens	Lamp	Fixt.
0-30	1696	14.6	19.2
0-40	2895	25.0	32.8
0-60	5557	47.9	63.0
0-90	8335	71.9	94.5
90-120	407	3.5	4.6
90-130	449	3.9	5.1
90-150	482	4.2	5.5
90-180	487	4.2	5.5
0-180	8821	76.0	100.0

### COEFFICIENTS OF UTILIZATION (%)

RC	80					70					50					0
	RW	70	50	30	10	70	50	30	10	50	30	10	0			
1	79	75	71	67	77	73	69	66	69	66	63	55				
2	71	64	58	53	69	62	56	52	59	54	50	44				
3	64	55	48	43	62	54	47	42	51	45	41	36				
4	58	48	41	35	56	47	40	35	45	39	34	30				
5	54	43	35	30	52	42	35	29	40	33	29	25				
6	49	38	31	26	47	37	30	25	35	29	25	22				
7	46	35	27	22	44	34	27	22	32	26	22	19				
8	42	31	25	20	41	31	24	20	29	23	19	17				
9	39	29	22	18	38	28	22	17	27	21	17	15				
10	37	26	20	16	36	26	20	16	25	19	15	13				

### INDOOR CANDELA PLOT



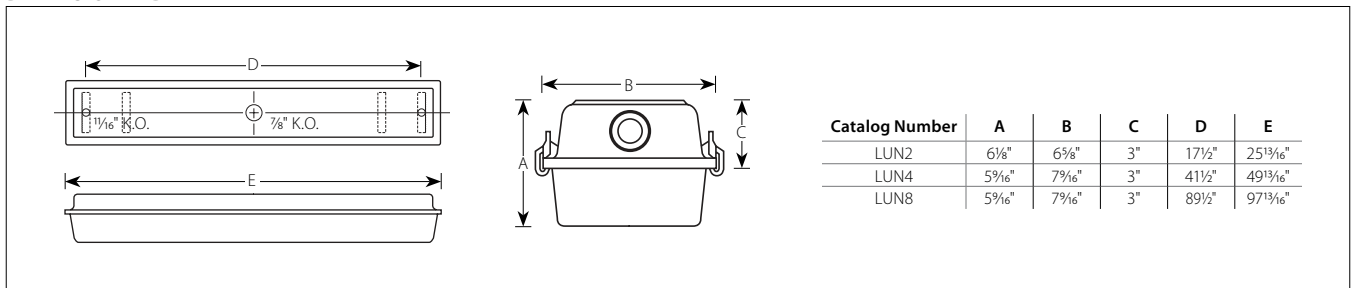
RCR = Room Cavity Ratio

RC = Effective Ceiling Cavity Reflectance RW = Wall Reflectance

### ENERGY DATA

Total Luminaire Efficiency	76.0%
Luminaire Efficacy Rating (LER)	70
IESNA RP-1-2004 Compliance	Non-Compliant
Comparative Yearly Lighting Energy Cost per 1000 Lumens	\$3.43 based on 3000 hrs. and \$0.08 per KWH

## DIMENSIONAL DATA

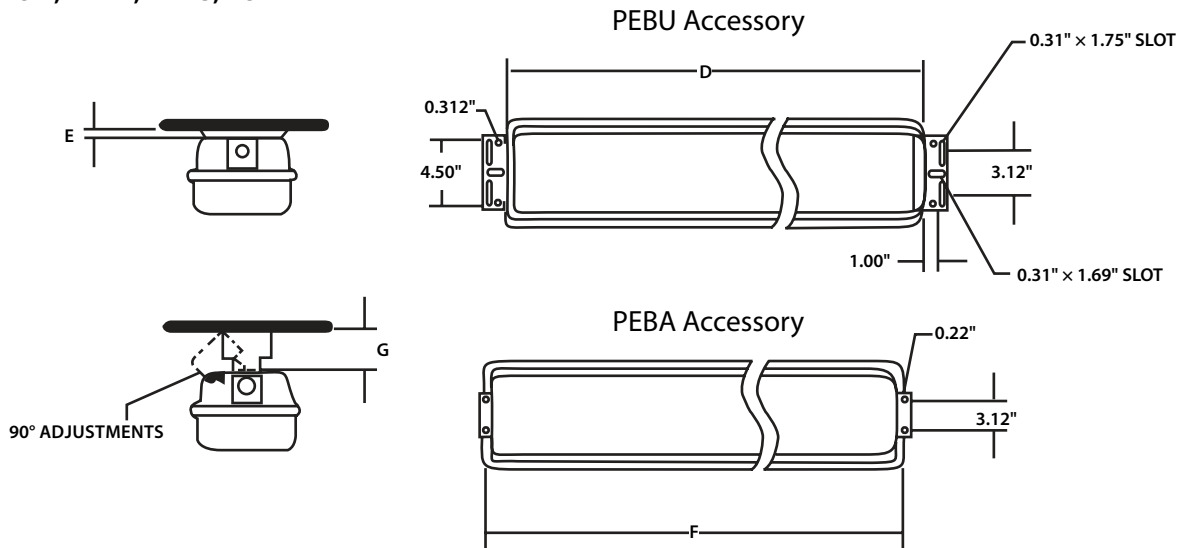


Catalog Number	A	B	C	D	E
LUN2	6 1/8"	6 3/8"	3"	17 1/2"	25 13/16"
LUN4	5 1/8"	7 1/8"	3"	41 1/2"	49 13/16"
LUN8	5 1/8"	7 1/8"	3"	89 1/2"	97 13/16"

**NOTE:** Fixtures are designed for ceiling mounting only.

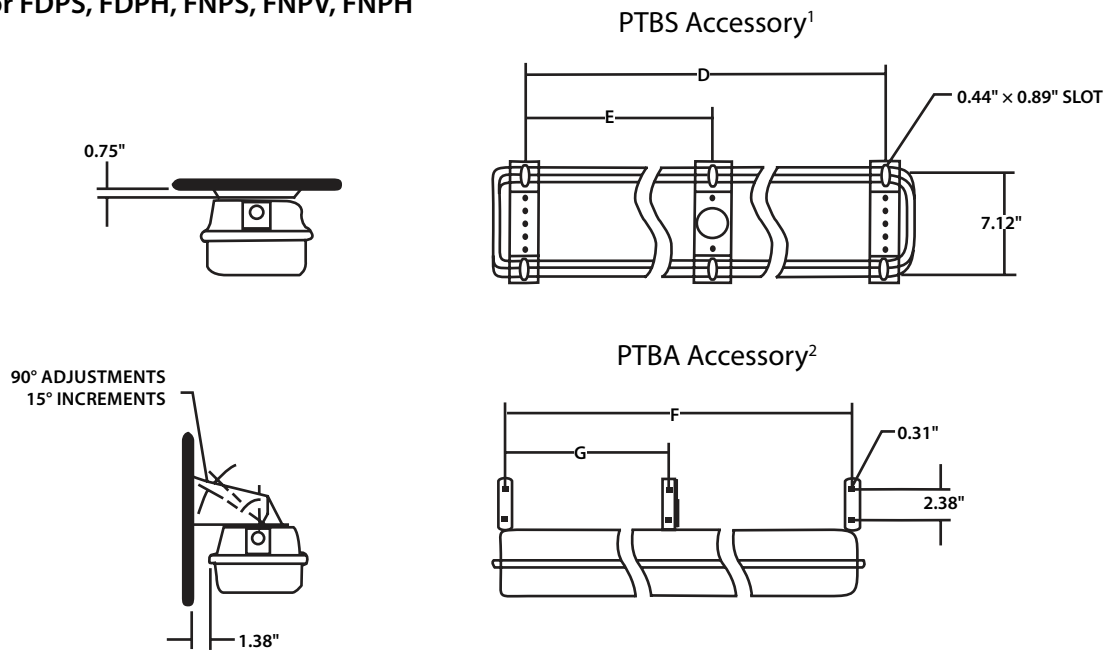
All dimensions are in inches; dimensions and specifications are subject to change without notice. Please consult factory or check sample for verification.

**For LUN, FNPV, FNPS, LU**



	D	E	F	G
2'	25.75" (654 mm)	0" (0 mm)	25.75" (654 mm)	2.38" (60 mm)
4'	49.75" (1264 mm)	0.38" (10 mm)	49.75" (1264 mm)	2.75" (70 mm)
8'	97.75" (2483 mm)	0.38" (10 mm)	97.75" (2483 mm)	2.75" (70 mm)

**For FDP5, FDPH, FNPS, FNPV, FNPH**



	D	E	F	G
4'	45.65" (1118 mm)	—	48.40" (1186 mm)	—
8'	93.65" (2294 mm)	46.83" (1147 mm)	96.40" (2362 mm)	46.83" (1147 mm)

<sup>1</sup> PTBS has two mounting brackets; PTBS3 has three mounting brackets and only used with 8' fixtures.

<sup>2</sup> PTBA has two mounting brackets; PTBA3 has three mounting brackets and only used with 8' fixtures.

**NOTE:** All dimensions are in inches; dimensions and specifications are subject to change without notice. Please consult factory or check sample for verification.