

**FEATURES**

- Aluminum housing for superior heat dissipation
- Fully gasketed
- Injection molded PVC ends
- Polypropylene latches
- One piece, impact resistant acrylic diffuser with smooth surface
- All parts are treated with a five stage phosphate bonding process and finished with a baked white enamel

**PROJECT INFORMATION**

Project Name \_\_\_\_\_

Type \_\_\_\_\_

Catalog No. \_\_\_\_\_

Date \_\_\_\_\_

**HOUSING**

Heavy die formed aluminum with a cast waterproof hub (1/2" thread). Fully gasketed.

**DIFFUSER**

Impact resistant acrylic. Smooth outside, prisms inside. Retained by injection molded polypropylene latches.

**ELECTRICAL**

Standard class "P", thermally protected, auto-resetting HPF ballast, sound rated A. All ballast leads extend a minimum of 6" through access location. NEC/CEC-compliant ballast disconnect is standard.

**FINISH**

All parts pre-painted with high gloss baked white enamel, minimum reflectance 86%, applied over iron phosphate pre-treatment for maximum adhesion and rust resistance.

**CERTIFICATION**

All luminaires are built to UL 1598 standards and bear appropriate UL and cUL or CSA labels. Damp location labeling is standard. Emergency-equipped fixtures labeled UL 924. Wet location labeling is an option.

**ORDERING INFORMATION**

**EXAMPLE LU8-196HO-EPU-WL**

**LU**

MODEL	SIZE	NO. OF LAMPS IN CROSS SECTION	LAMP TYPE	BALLAST	VOLTAGE	OPTIONS
<b>LU</b> Enclosed and Gasketed Aluminum Industrial	<b>4</b> 4' <b>8</b> 8'	<b>1</b> One <b>2</b> Two	<b>48HO</b> 4', T12: 60 Watt <b>48T8HO</b> 4', T8: 44 Watt <b>96HO</b> 8', T12: 110 or 95 Watt <b>96T8HO</b> 8', T8: 86 Watt <small>High Output units should not be surface mounted.</small>	<b>EP</b> Electronic T8 and T12, Programmed Start <b>LE</b> Energy Saving Magnetic T12 (48HO 1-Lamp only, specify voltage)	<b>U</b> 120V-277V <b>347</b> 347V	<b>WL</b> Wet Location* <b>GLR</b> Fast Blow Fuse <b>DR</b> 100% DR Acrylic Lens <b>EL</b> Emergency Battery Pack (N/A with Wet Location)

\*Wet Location in traditional (lens down) mounting position only.

**ACCESSORIES (ORDER SEPARATELY)**

- SSHK** Stainless Steel Hanging Kit (Chain not included)
- HUBK** Stem Hanging Kit
- PEBU** End Bracket Universal Surface Mount Kit

## PHOTOMETRIC DATA

Test 7998 Test Date 1/8/03

### LUMINAIRE DATA

Luminaire	LU8-196HO-WL 7.5" x 98.25" DMR/WL Luminaire w/Clear Acrylic Prisms Lens
Ballast	RC2S85-TP
Ballast Factor	0.95
Lamp	F96T12/HO
Lumens per Lamp	9200
Watts	132
Shielding Angle	N/A
Spacing Criterion	0° = 1.15 90° = 1.29
Luminous Opening in Feet	Length: 8.06 Width: 0.52 Height: 0.00

### ZONAL LUMEN SUMMARY

Zone	Lumens	Lamp	Fixt.
0-30	1182	12.8	18.0
0-40	1914	20.8	29.2
0-60	3525	38.3	53.8
0-90	5609	61.0	85.6
90-120	861	9.4	13.1
90-130	916	10.0	14.0
90-150	942	10.2	14.4
90-180	942	10.2	14.4
0-180	6551	71.2	100.0

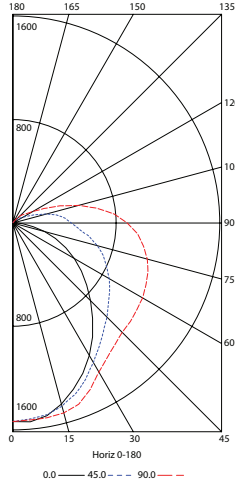
### ENERGY DATA

Total Luminaire Efficiency	71.2%
Luminaire Efficacy Rating (LER)	N/A
IESNA RP-1-1993 Compliance	Noncompliant
Comparative Yearly Lighting Energy Cost per 1000 Lumens	\$N/A based on 3000 hrs. and \$0.08 per KWH

### COEFFICIENTS OF UTILIZATION (%)

RCR	RC	80				70				50				0
		RW	70	50	30	10	70	50	30	10	50	30	10	0
1	72	68	64	60	69	65	62	58	60	57	55	45		
2	65	58	52	47	62	56	50	46	51	47	43	36		
3	59	50	43	38	56	48	42	37	44	39	35	29		
4	53	44	37	32	51	42	36	31	39	34	29	24		
5	49	39	32	27	47	38	31	26	35	29	25	21		
6	45	35	28	23	43	34	27	23	31	26	22	18		
7	42	32	25	20	40	31	24	20	28	23	19	16		
8	39	29	22	18	37	28	22	18	26	21	17	14		
9	36	26	20	16	35	25	20	16	24	19	15	13		
10	34	24	18	15	32	24	18	14	22	17	14	11		

### INDOOR CANDELA PLOT



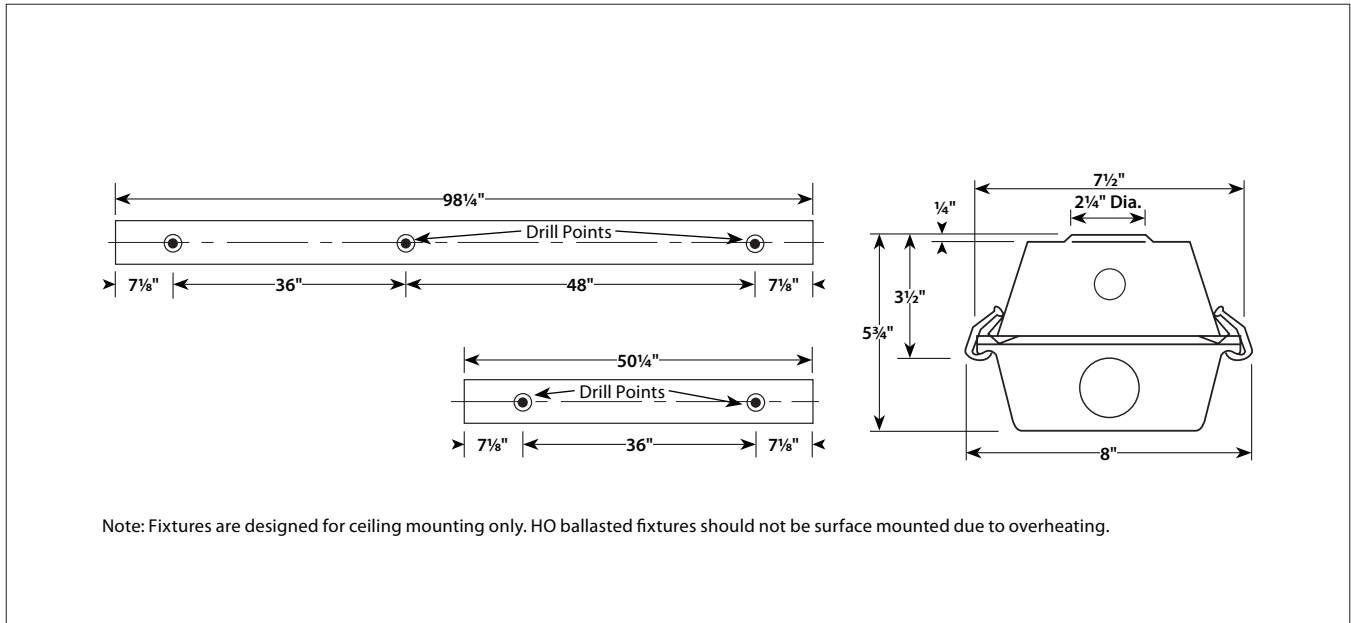
### AVG. LUMINANCE (Candela/Sq. M.)

Average Luminance Angle	0.0	22.5	45.0	67.5	90.0
0	3940	3940	3940	3940	3940
30	3505	3523	3692	3894	3944
40	3215	3296	3654	3973	4114
45	3084	3265	3734	4151	4340
50	2977	3260	3852	4455	4731
55	2897	3282	4084	4885	5234
60	2820	3344	4412	5475	5948
65	2741	3482	4855	6284	6891
70	2628	3694	5594	7509	8343
75	2491	4058	6718	9447	10677
80	2352	4792	8844	13104	15160
85	2357	7338	15235	24134	28555

RCR = Room Cavity Ratio

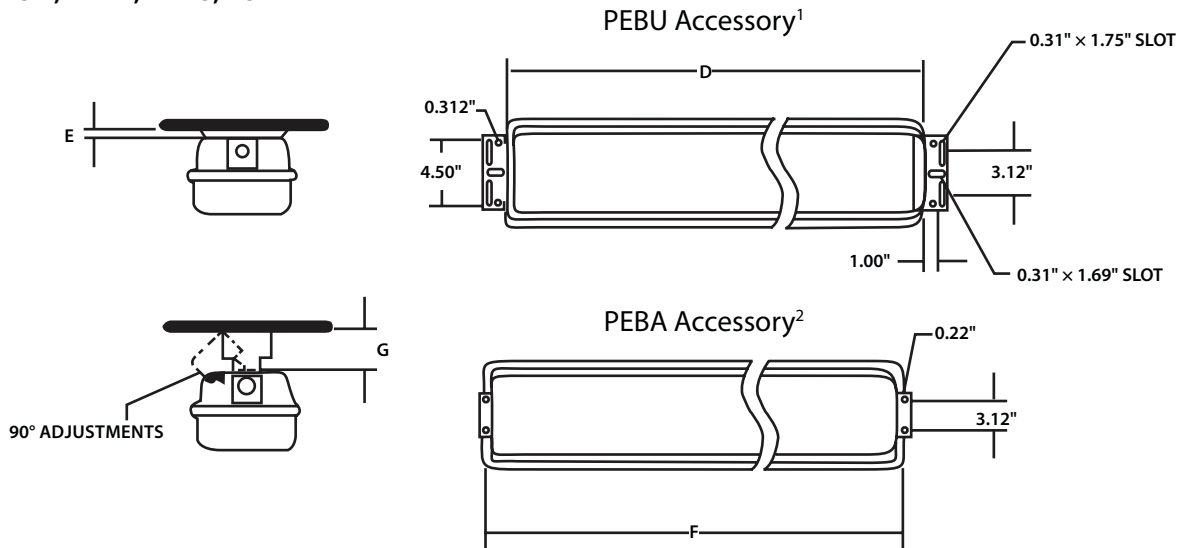
RC = Effective Ceiling Cavity Reflectance RW = Wall Reflectance

### DIMENSIONAL DATA



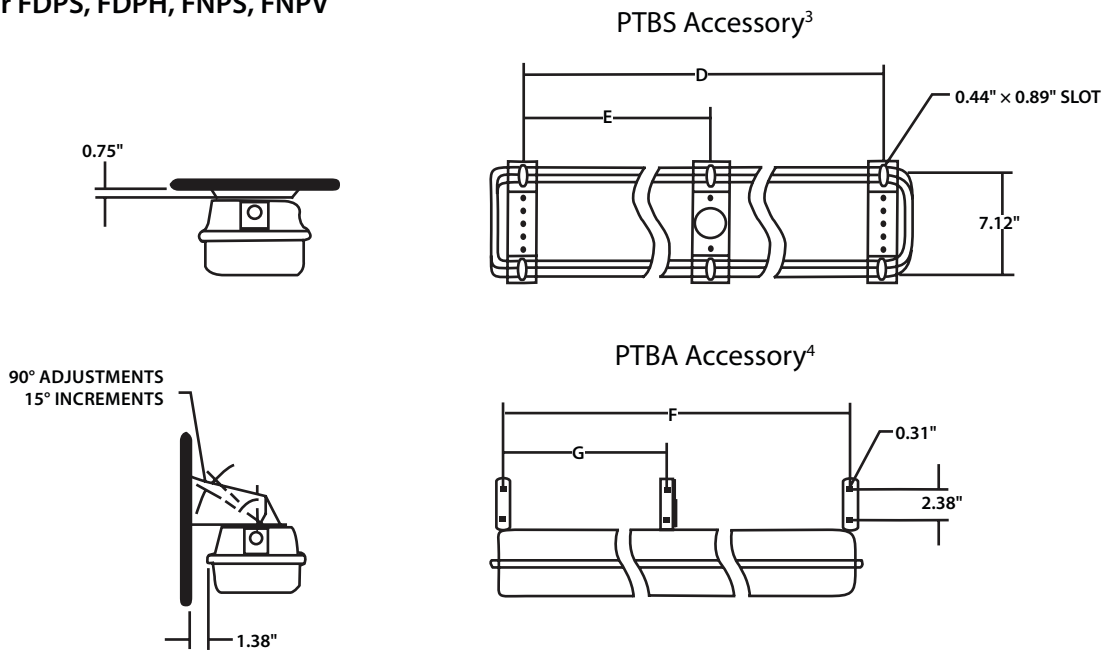
**NOTE:** All dimensions are in inches; dimensions and specifications are subject to change without notice. Please consult factory or check sample for verification.

**For LUN, FNPV, FNPS, LU**



	D	E	F	G
2'	25.75" (654 mm)	0" (0 mm)	25.75" (654 mm)	2.38" (60 mm)
4'	49.75" (1264 mm)	0.38 (10 mm)	49.75" (1264 mm)	2.75" (70 mm)
8'	97.75" (2483 mm)	0.38 (10 mm)	97.75" (2483 mm)	2.75 (70 mm)

**For FDPS, FDPH, FNPS, FNPV**



	D	E	F	G
4'	45.65" (1118 mm)	—	48.40" (1186 mm)	—
8'	93.65" (2294 mm)	46.83" (1147 mm)	96.40" (2362 mm)	46.83 (1147 mm)

<sup>1</sup> PEBU is for 3/4" hubs, PEBUHSMS is for 1/2" hubs.

<sup>2</sup> PEBA is for 3/4" hubs, PEBAHSMS is for 1/2" hubs.

<sup>3</sup> PTBS has two mounting brackets; PTBS3 has three mounting brackets and only used with 8' fixtures.

<sup>4</sup> PTBA has two mounting brackets; PTBA3 has three mounting brackets and only used with 8' fixtures.

**NOTE:** All dimensions are in inches; dimensions and specifications are subject to change without notice. Please consult factory or check sample for verification.