

FEATURES

- Aluminum housing for superior heat dissipation
- Fully gasketed
- Injection molded PVC ends
- Polypropylene latches
- One piece, impact resistant acrylic diffuser with smooth surface
- All parts are treated with a five-stage phosphate bonding process and finished with a baked white enamel
- UL listed 1598, cUL or CSA. Damp Location Standard. Wet Location option

PROJECT INFORMATION

Project Name _____

Type _____

Catalog No. _____

Date _____

HOUSING

Heavy die formed aluminum with a cast waterproof hub (1/2" thread). Fully gasketed.

DIFFUSER

Impact resistant acrylic. Smooth outside, prisms inside. Retained by injection molded polypropylene latches.

ELECTRICAL

Standard class "P", thermally protected, auto-resetting HPF ballast, sound rated A. All ballast leads extend a minimum of 6" through access location. NEC/CEC-compliant ballast disconnect is standard.

FINISH

All parts pre-painted with high gloss baked white enamel, minimum reflectance 86%, applied over iron phosphate pre-treatment for maximum adhesion and rust resistance.

CERTIFICATION

All luminaires are built to UL 1598 standards and bear appropriate UL and cUL or CSA labels. Damp location labeling is standard. Emergency-equipped fixtures labeled UL 924. Wet location labeling is an option.

ORDERING INFORMATION

EXAMPLE LU4-232-EU-WL

MODEL	SIZE	NO. OF LAMPS IN CROSS SECTION	LAMP TYPE	BALLAST	VOLTAGE	OPTIONS
LU Enclosed and Gasketed Aluminum Industrial	4 4' 8 8'	1 One 2 Two	32 4', T8: 32, 30, 28 or 25 Watt 96 8', T12: 75 or 60 Watt 96T8 8', T8: 59 Watt	E Electronic T8, Instant Start EP Electronic T8 and T12, Programmed Start	U 120V-277V 120 120V 277 277V 347 347V	WL Wet Location* GLR Fast Blow Fuse DR 100% DR Acrylic Lens EL Emergency Battery Pack (N/A with Wet Location) NYC NYC Compliant NYCU NYC Compliant, Union Label

*Wet Location in traditional (lens down) mounting position only.

ACCESSORIES (ORDER SEPARATELY)

- SSHK** Stainless Steel Hanging Kit (Chain not included)
- HUBK** Stem Hanging Kit
- PEBU** End Bracket Universal Surface Mount Kit



PHOTOMETRIC DATA

Test 8992 Test Date 1/8/03

LUMINAIRE DATA

Luminaire	LU4-140-LE-WL 48" x 8" DMR/WL Single Lamp w/ Clear Prismed Drop Lens
Ballast	R-140
Ballast Factor	0.95
Lamp	F40CW
Lumens per Lamp	3150
Watts	43
Shielding Angle	N/A
Spacing Criterion	0° = 1.16 90° = 1.38
Luminous Opening in Feet	Length: 4.00 Width: 0.67 Height: 0.00

ZONAL LUMEN SUMMARY

Zone	Lumens	Lamp	Fixt.
0-30	438	13.9	17.5
0-40	726	23.0	29.0
0-60	1375	43.6	54.9
0-90	2220	70.5	88.7
90-120	258	8.2	10.3
90-130	276	8.8	11.0
90-150	283	9.0	11.3
90-180	283	9.0	11.3
0-180	2503	79.4	100.0

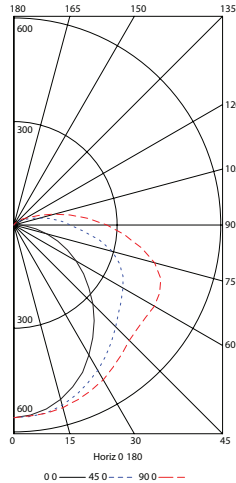
ENERGY DATA

Total Luminaire Efficiency	79.4%
Luminaire Efficacy Rating (LER)	55
IESNA RP-1-1993 Compliance	Noncompliant
Comparative Yearly Lighting Energy Cost per 1000 Lumens	\$4.36 based on 3000 hrs. and \$0.08 per KWH

COEFFICIENTS OF UTILIZATION (%)

RCR	RW	80				70				50				0
		70	50	30	10	70	50	30	10	50	30	10	0	
1	81	76	72	68	78	73	69	66	68	65	62	52		
2	73	65	58	52	69	62	56	51	58	53	49	41		
3	65	56	48	42	63	54	47	41	50	44	39	33		
4	60	49	41	35	57	47	40	34	44	38	33	28		
5	54	43	35	30	52	42	34	29	39	33	28	23		
6	50	39	31	25	48	37	30	25	35	29	24	20		
7	46	35	27	22	44	34	27	22	32	26	21	18		
8	43	32	25	20	41	31	24	19	29	23	19	16		
9	40	29	22	18	39	28	22	17	27	21	17	14		
10	38	27	20	16	36	26	20	16	25	19	15	13		

INDOOR CANDELA PLOT



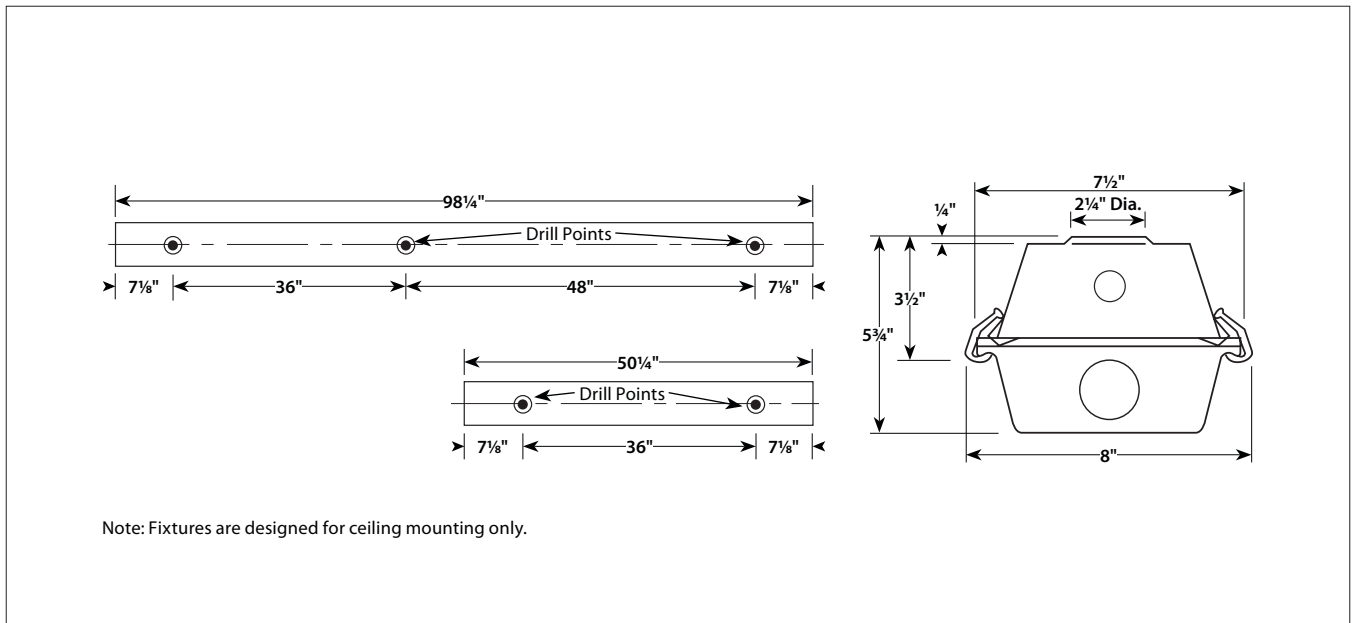
AVG. LUMINANCE (Candela/Sq. M.)

Average Luminance Angle	0.0	22.5	45.0	67.5	90.0
	0	2241	2241	2241	2241
30	2017	2115	2254	2375	2402
40	1898	2045	2307	2501	2553
45	1840	2033	2369	2618	2687
50	1775	2043	2474	2806	2918
55	1730	2087	2661	3116	3263
60	1671	2177	2932	3550	3775
65	1625	2328	3317	4144	4429
70	1585	2537	3828	4920	5320
75	1536	2886	4578	6006	6549
80	1503	3493	5829	7841	8674
85	1613	5300	9309	13226	14839

RCR = Room Cavity Ratio

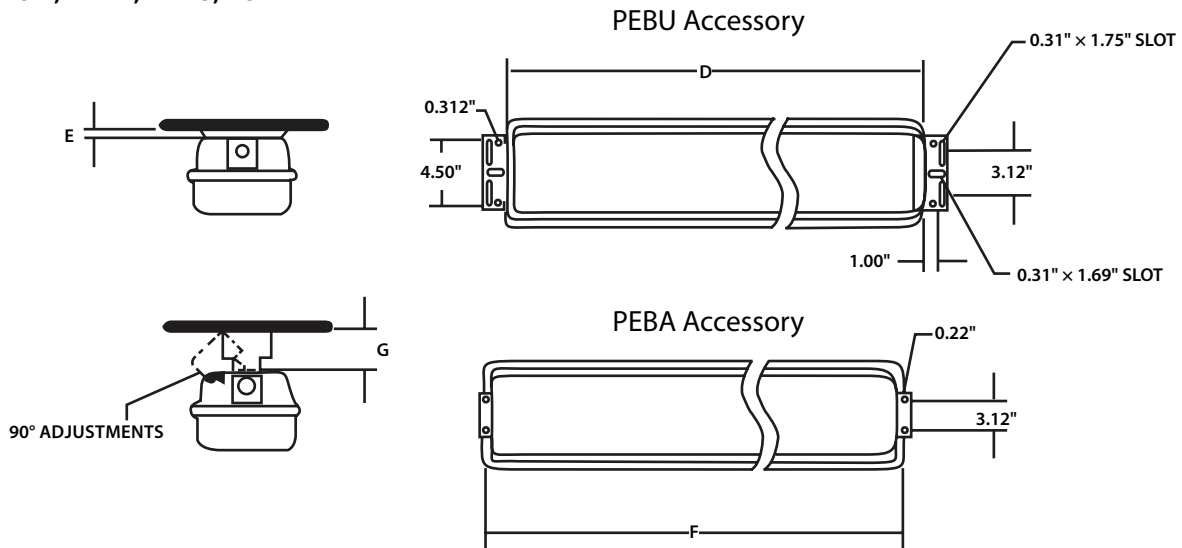
RC = Effective Ceiling Cavity Reflectance RW = Wall Reflectance

DIMENSIONAL DATA



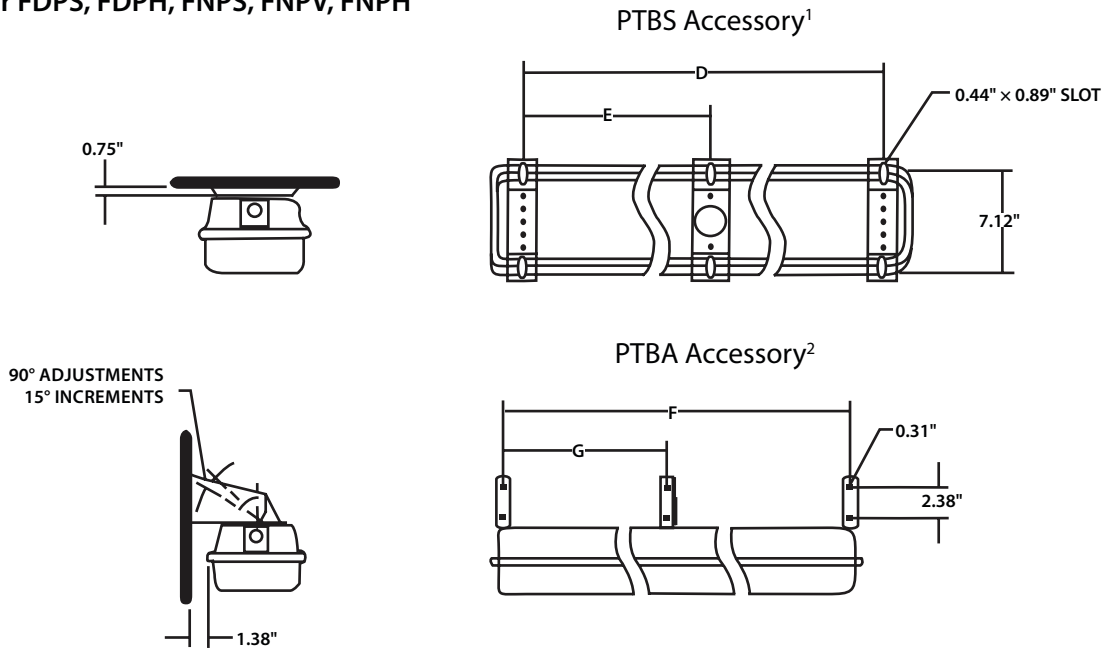
NOTE: All dimensions are in inches; dimensions and specifications are subject to change without notice. Please consult factory or check sample for verification.

For LUN, FNPV, FNPS, LU



	D	E	F	G
2'	25.75" (654 mm)	0" (0 mm)	25.75" (654 mm)	2.38" (60 mm)
4'	49.75" (1264 mm)	0.38 (10 mm)	49.75" (1264 mm)	2.75" (70 mm)
8'	97.75" (2483 mm)	0.38 (10 mm)	97.75" (2483 mm)	2.75 (70 mm)

For FDPS, FDPH, FNPS, FNPV, FNPH



	D	E	F	G
4'	45.65" (1118 mm)	—	48.40" (1186 mm)	—
8'	93.65" (2294 mm)	46.83" (1147 mm)	96.40" (2362 mm)	46.83 (1147 mm)

¹ PTBS has two mounting brackets; PTBS3 has three mounting brackets and only used with 8' fixtures.

² PTBA has two mounting brackets; PTBA3 has three mounting brackets and only used with 8' fixtures.

NOTE: All dimensions are in inches; dimensions and specifications are subject to change without notice. Please consult factory or check sample for verification.