

FEATURES

- Meets IES standard RP-1 preferred glare control recommendations
- High performance, low glare stack light designed for library stack areas with 36" aisles
- Effective and uniform vertical distribution lights the face of stacks
- Eliminates hotspots at the tops of the stacks
- Optical system maximizes efficiencies and minimizes energy consumption
- 2-lamp versions feature over-under lamping for even distribution
- 12" width allows placement above aisles specified by the American Disabilities Act without cutting any ceiling tile
- Anodized low iridescent aluminum louver
- White powder coat finish, painted after fabrication
- Surface or pendant mount also available

PROJECT INFORMATION

Project Name _____

Type _____

Catalog No. _____

Date _____

CONSTRUCTION

Luminaire housing and end caps are die formed code gauge cold rolled steel. Upper reflector provides additional downlight distribution. Two-lamp versions feature over/under lamping. Louver is low brightness, low iridescent specular anodized aluminum secured in housing with four torsion spring latches to provide superior light distribution down the face of shelving. Diffuse finish also available.

BALLASTS

Energy efficient, thermally protected, automatic resetting, Class P, high power factor, sound rated A, magnetic or electronic ballasts. CEE NEMA Premium compliant.

FINISH

White painted parts are treated with a five stage phosphate bonding process and finished after fabrication with a minimum 90% reflective gloss baked enamel.

ELECTRICAL

Standard class "P", thermally protected, autoresetting HPF ballast, sound rated A. CEE NEMA Premium compliant. All ballast leads extend a minimum of 6" through access location. NEC/CEC-compliant ballast disconnect is standard.

AIR HANDLING

Standard luminaire is static. Air extract option available to remove room air and cool lamps.

CEILING COMPATIBILITY

The Stack Lite is available to fit NEMA Type G, Type F and Type GF ceilings. GT integral cross tee trim (recommended) allows installation into 2' on center 15/16" inverted tee systems without additional T-bar framing. Ideal for centering fixture in 3' ADA compliant aisles between 2' wide stacks without having to cut tiles. LSL84 recommended for 2' 8" wide aisles. NEC-compliant T-bar clips supplied with all grid trim fixtures.

INSTALLATION

An access plate is furnished with each luminaire for fast wiring access from the plenum. No need to open fixture. Product ships standard with mylar dust cover to eliminate job site contamination.

CERTIFICATION

All luminaires are built to UL 1598 standards and bear appropriate UL and cUL or CSA labels. Damp location labeling is standard. Emergency-equipped fixtures labeled UL 924.

SURFACE OR PENDANT MOUNT

Companion surface or pendant mount version (SM ceiling type) matches performance and aesthetics of recessed versions.

ORDERING INFORMATION

EXAMPLE LSL14-132G-LD19-S-EU

LSL 14 -		-		1 9 -		-		-		
MODEL	NO. OF LAMPS	CEILING TYPE	NO. CELLS CROSSWISE	NO. CELLS LENGTHWISE	BALLAST	OPTIONS				
LSL Recessed Parabolic Stack Light	1 One 2 Two	F Flange G Grid GT Integral Cross-tee (Grid ends lay into standard T-bar, sides act as integral cross-tee to support tile) SM Surface Mount (Static only)	1 One	9 Nine	E Electronic T8, Instant Start EP Electronic T5 or T8 Programmed Start <small>For a specific ballast vendor, show as option.</small>	GMF Slow Blow Fuse GLR Fast Blow Fuse EL Emergency Battery Pack MS9 Master/Satellite Pair w/9' Harness MS Master/Satellite Cont. Row, 2-Lamp Ballast MSS Master/Satellite/Satellite Cont. Row, 3-Lamp Ballast NYC NYC Compliant NYCU NYC Compliant, Union Label				
SIZE	LAMP TYPE	LOUVER FINISH	AIR HANDLING FUNCTION	VOLTAGE						
14 1' x 4'	28 4', T5: 28 Watt 32 4', T8: 32, 30, 28 or 25 Watt 54 4', T5HO: 54 or 51 Watt	LD Low Iridescent Semi-Specular LS Low Iridescent Specular	S Static H Heat Extract (No Damper)	U 120V-277V 347 347V						

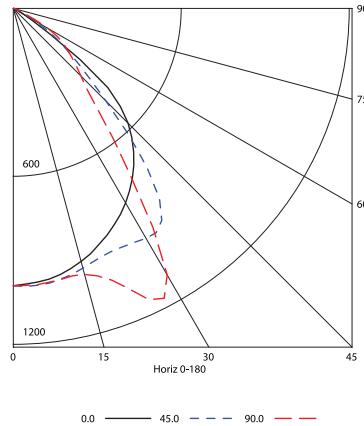
PHOTOMETRIC DATA

Test 10113 Test Date 6/10/03

LUMINAIRE DATA

Luminaire	LSL14-132G-LD19-OCT LSL Parabolic 1 x 4 1-Lamp Stacklight with BWE REFL, 1 x 9 Cell Semi-Spec
Ballast	R1P32-TP
Ballast Factor	0.95
Lamp	FO32T8
Lumens per Lamp	2900
Watts	37
Shielding Angle	N/A
Spacing Criterion	Along = 1.22 Across = 1.33

INDOOR CANDELA PLOT



ENERGY DATA

Total Luminaire Efficiency	65.9%
Luminaire Efficacy Rating (LER)	49
ANSI/IESNA RP-1-2004 Compliance	Yes-Maximum
Comparative Yearly Lighting Energy Cost per 1000 Lumens	\$4.90 based on 3000 hrs. and \$0.08 per KWH

ZONAL LUMEN SUMMARY

Zone	Lumens	% Lamp	% Fixt.
0-30	813	28.0	42.5
0-40	1315	45.3	68.8
0-60	1861	64.2	97.4
0-90	1910	65.9	100.0
0-180	1910	65.9	100.0

COEFFICIENTS OF UTILIZATION (%)

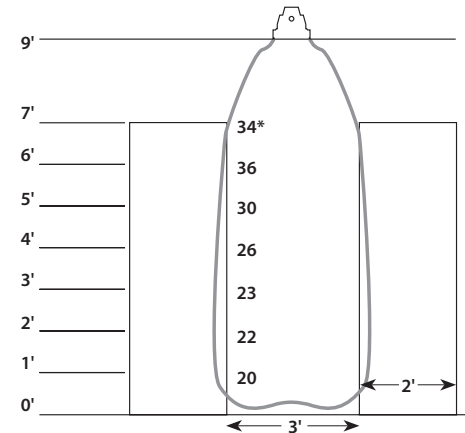
	RC		80				70				50				0
	RW	70	50	30	10	70	50	30	10	50	30	10	0	0	
RCR	1	74	72	70	68	72	70	68	67	67	66	65	60	60	
	2	69	65	62	59	67	64	61	58	61	59	57	53	53	
	3	64	59	55	51	63	58	54	51	56	53	50	47	47	
	4	60	53	49	45	58	53	48	45	51	47	44	42	42	
	5	56	49	44	40	54	48	44	40	47	43	40	38	38	
	6	52	45	40	36	51	44	39	36	43	39	36	34	34	
	7	49	41	36	33	47	40	36	32	39	35	32	31	31	
	8	45	38	33	29	44	37	33	29	36	32	29	28	28	
	9	43	35	30	27	42	34	30	27	34	30	27	25	25	
	10	40	32	28	25	39	32	28	25	31	27	24	23	23	

AVG. LUMINANCE (Candela/Sq. M.)

	0.0	22.5	45.0	67.5	90.0
Average Luminance Angle	0	3595	3595	3595	3595
	30	3363	3409	3975	4650
	40	3167	3309	3527	2432
	45	2974	3112	2404	1767
	50	2486	2503	1672	1525
	55	1013	1140	1190	1292
	60	341	356	690	922
	65	198	189	241	412
	70	138	127	138	149
	75	98	98	98	112
	80	63	84	84	84
	85	42	42	42	42

T8 VERTICAL FOOTCANDLES

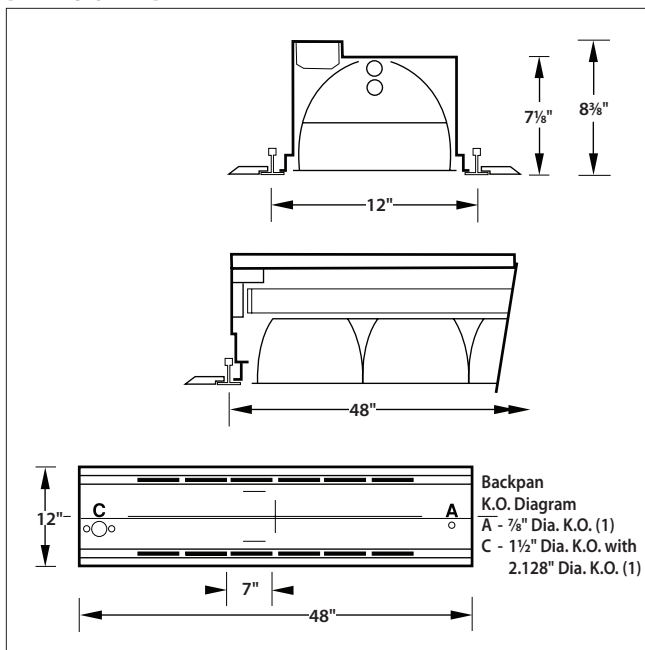
*Footcandles may increase in applications with wider aisles.



RCR = Room Cavity Ratio

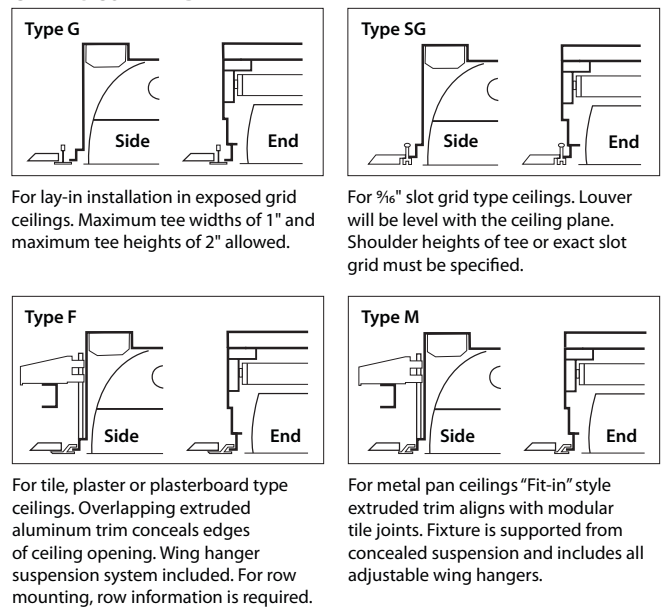
RC = Effective Ceiling Cavity Reflectance RW = Wall Reflectance

DIMENSIONAL DATA



NOTE: All dimensions are in inches; dimensions and specifications are subject to change without notice. Please consult factory or check sample for verification.

CEILING COMPATIBILITY



Flanged cut out dimensions for single unit only: 12 1/8" x 48 1/8"