

FEATURES

- Reflectors have 18% uplight and 30° transverse shielding
- Spring loaded turret lampholders
- 6" lamp spacing
- For individual or continuous row mounting
- Channel ends double as joiners
- Full depth end closures available

PROJECT INFORMATION

Project Name _____

Type _____

Catalog No. _____

Date _____

CONSTRUCTION

Heavy steel housing with longitudinal reinforcing ribs for extra strength. Reflector die-embossed with transverse ribs for maximum rigidity. Deep Vee center channel provides 30° crosswise shielding. Smooth, extruded apertures provide 18% uplight.

CERTIFICATION

All luminaires are built to UL 1598 standards and bear appropriate UL and cUL or CSA labels. Damp location labeling is standard. Emergency-equipped fixtures labeled UL 924.

FINISH

White painted parts are treated with a five stage phosphate bonding process and finished with a high reflectance baked enamel.

ELECTRICAL

Standard class "P", thermally protected, auto-resetting HPF ballast, sound rated A. All ballast leads extend a minimum of 6" through access location. NEC/CEC-compliant ballast disconnect is standard.

ORDERING INFORMATION

EXAMPLE KL8-96T8-VR-EU-GLR

KL	-	2	-	VR	-	E	-	-
MODEL KL Premium Industrial		NO. OF LAMPS IN CROSS SECTION 2 Two		REFLECTOR TYPE VR Deep V Reflector Apertured for Uplight (Standard) (Not available with solid top)		VOLTAGE U 120V/277V 347 347V		OPTIONS GLR Fast Blow Fuse GMF Slow Blow Fuse EL Emergency Battery Pack BC Branch Circuit Plug-on Wiring System (See options section for details.) PAF Paint After Fabrication NYC NYC Compliant NYCU NYC Compliant, Union Labeled
	SIZE 4 4' 8 8'		LAMP TYPE 48 4', T12: 40 Watt 96 8', T12: 75 or 60 Watt 96T8 8', T8: 59 Watt		BALLAST E Electronic T8, Instant Start For others available, see Ballast Options.			

ACCESSORIES (ORDER SEPARATELY)

- KZT** Zip Tee Hanger - 1/2" spacer on T-bar ceiling
- KTH** Slide Clamp Tong Hanger
- S18** 18" Stem, canopy and 8° aligner
- SS18** 18", 45° Swivel Stem & Canopy
- KHC** 24" Chain Hanging Assembly
- KLEC** Full Depth End Closure
- KLWG4** Wire Guard 4' lg. - 2 required per 8' fixture

Note: KLEGG not available with V reflector fixtures



PHOTOMETRIC DATA

LUMINAIRE DATA

Luminaire	KL8-296-VR-PAF KL Industrial 1" x 8" 2-Lamp Slimline Industrial with Apertured PAF "V" Reflector
Ballast	R-2E75-S
Ballast Factor	0.94
Lamp	F96T12
Lumens per Lamp	6150
Watts	158
Shielding Angle	N/A
Spacing Criterion	0° = 1.26 90° = 1.31
Luminous Opening in Feet	Length: 8.00 Width: 0.88 Height: 0.00

ZONAL LUMEN SUMMARY

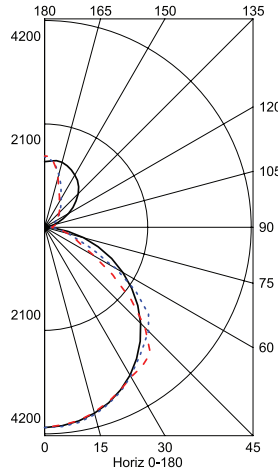
Zone	Lumens	% Lamp	% Fixt.
0-30	2275	18.5	22.6
0-40	3769	30.6	37.5
0-60	6679	54.3	66.4
0-90	8168	66.4	81.2
90-120	441	3.6	4.4
90-130	681	5.5	6.8
90-150	1271	10.3	12.6
90-180	1887	15.3	18.8
0-180	10055	81.7	100.0

Test 11298 Test Date 1/8/03

ENERGY DATA

Total Luminaire Efficiency	81.7%
Luminaire Efficacy Rating (LER)	60
IESNA RP-1-1993 Compliance	Non-Compliant
Comparative Yearly Lighting Energy Cost per 1000 Lumens	\$4.00 based on 3000 hrs. and \$0.08 per KWH

INDOOR CANDELA PLOT



AVG. LUMINANCE (Candela/Sq. M.)

Average Luminance Angle	0.0	22.5	45.0	67.5	90.0
0	4443	4443	4443	4443	4443
30	4373	4387	4407	4414	4428
40	4309	4335	4461	4728	4758
45	4258	4307	4610	4634	4463
50	4196	4267	4679	4120	3903
55	4116	4246	4289	3489	3231
60	4009	4373	3666	2731	2529
65	3878	4421	2862	2229	2127
70	3688	3840	2262	2061	2034
75	3450	2871	2097	2038	2026
80	3073	2237	2122	2140	2157
85	2456	2421	2596	2754	2825

COEFFICIENTS OF UTILIZATION (%)

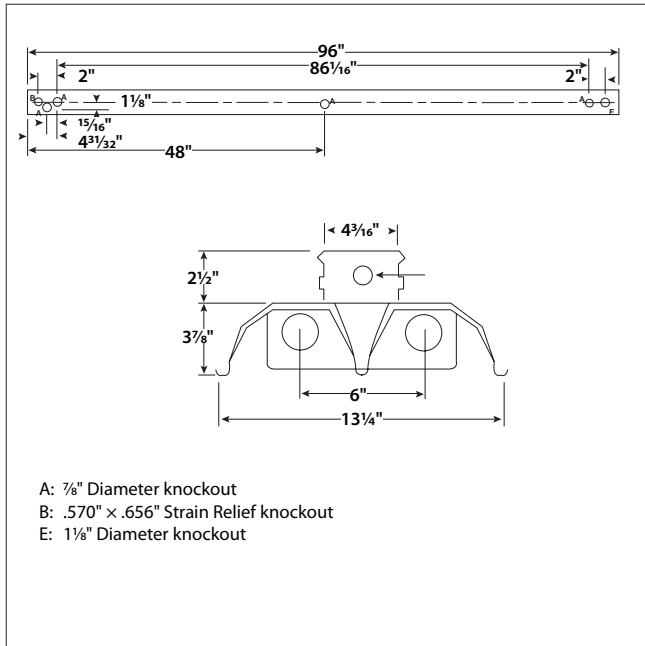
RCR	RC	80			70			50			0		
		RW	70	50	30	10	70	50	30	10	50	30	10
1	86	82	79	76	82	79	76	73	72	70	68	56	
2	78	72	66	62	75	69	64	60	64	60	56	47	
3	71	63	57	52	68	61	55	50	56	51	47	40	
4	65	56	49	44	62	54	48	43	50	45	41	34	
5	60	50	43	38	57	48	42	37	45	39	35	30	
6	55	45	38	33	53	43	37	32	40	35	31	26	
7	51	41	34	29	49	39	33	28	37	31	27	23	
8	48	37	30	26	46	36	29	25	33	28	24	20	
9	44	34	27	23	42	33	27	22	31	25	22	18	
10	42	31	25	21	40	30	24	20	28	23	20	17	

RCR = Room Cavity Ratio

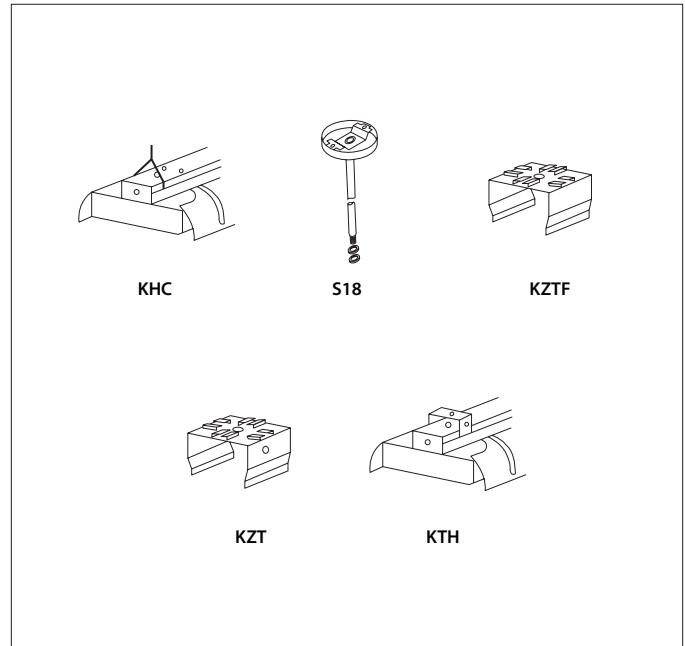
RC = Effective Ceiling Cavity Reflectance RW = Wall Reflectance

0.0 ——— 45.0 - - - - - 90.0 - - - - -

DIMENSIONAL DATA



MOUNTING ACCESSORIES



NOTE: All dimensions are in inches; dimensions and specifications are subject to change without notice. Please consult factory or check sample for verification.