

FEATURES

- Available in 4' and 8' lengths
- Reflectors have 18% uplight and 30° transverse shielding
- Spring loaded turret lampholders
- 6" lamp spacing
- For individual or continuous row mounting
- Channel ends double as joiners
- Full depth end closures available

PROJECT INFORMATION

Project Name _____

Type _____

Catalog No. _____

Date _____

CONSTRUCTION

Heavy steel housing with longitudinal reinforcing ribs for extra strength. Reflector die-embossed with transverse ribs for maximum rigidity. Deep Vee center channel provides 30° crosswise shielding. Smooth, extruded apertures provide 18% uplight.

CERTIFICATION

All luminaires are built to UL 1598 standards and bear appropriate UL and cUL or CSA labels. Damp location labeling is standard. Emergency-equipped fixtures labeled UL 924.

FINISH

White painted parts are treated with a five stage phosphate bonding process and finished with a high reflectance baked enamel.

ELECTRICAL

Standard class "P", thermally protected, auto-resetting HPF ballast, sound rated A. All ballast leads extend a minimum of 6" through access location. NEC/CEC-compliant ballast disconnect is standard.

ORDERING INFORMATION

EXAMPLE KL8-296HO-VR-120-GLR

| | | | | | |
|---------------------------------------|---|--|---|---|----------|
| KL | - 2 | - VR - | EP | - | - |
| MODEL KL Premium Industrial | NO. OF LAMPS IN CROSS SECTION 2 Two | REFLECTOR TYPE VR Deep V Reflector Apertured for Uplight (Standard) (Not available with solid top) | VOLTAGE 120 120V 277 277V 347 347V | OPTIONS | |
| | SIZE 4 4' 8 8' | LAMP TYPE 48HO 4', T12: 60 Watt 96HO 8', T12: 110 or 95 Watt 96T8HO 8', T8: 86 Watt | BALLAST EP Electronic T8, Program Start For others available, see Ballast Options. | GLR Fast Blow Fuse GMF Slow Blow Fuse EL Emergency Battery Pack BC Branch Circuit Plug-on Wiring System (See options section for details.) PAF Paint After Fabrication NYC NYC Compliant NYCU NYC Compliant, Union Label | |
| | | | | ACCESSORIES (ORDER SEPARATELY) | |
| | | | | KZT Zip Tee Hanger - 1½" spacer on T-bar ceiling KTH Slide Clamp Tong Hanger S18 18" Stem, canopy and 8° aligner SS18 18", 45° Swivel Stem & Canopy KHC 24" Chain Hanging Assembly KLEC Full Depth End Closure KLWG4 4' Wire Guard, 2 required for 8' fixture Note: KLEGG not available with V reflector fixtures | |

PHOTOMETRIC DATA

LUMINAIRE DATA

| | |
|--------------------------|--|
| Luminaire | KL8-296HO-VR-PAF KL Industrial 1" x 8" 2-Lamp Industrial with Apertured PAF "V" Reflector |
| Ballast | 480-X-LH-TC-P |
| Ballast Factor | 0.95 |
| Lamp | F96/HO |
| Lumens per Lamp | 8800 |
| Watts | 252 |
| Shielding Angle | N/A |
| Spacing Criterion | 0° = 1.26 90° = 1.31 |
| Luminous Opening in Feet | Length: 8.00 Width: 0.88 Height: 0.00 |

ZONAL LUMEN SUMMARY

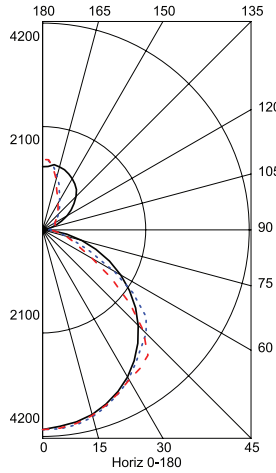
| Zone | Lumens | % Lamp | % Fixt. |
|--------|--------|--------|---------|
| 0-30 | 3179 | 18.1 | 22.5 |
| 0-40 | 5266 | 29.9 | 37.3 |
| 0-60 | 9327 | 53.0 | 66.0 |
| 0-90 | 11425 | 64.9 | 80.9 |
| 90-120 | 635 | 3.6 | 4.5 |
| 90-130 | 981 | 5.6 | 6.9 |
| 90-150 | 1827 | 10.4 | 12.9 |
| 90-180 | 2700 | 15.3 | 19.1 |
| 0-180 | 14125 | 80.3 | 100.0 |

Test 11299 Test Date 1/8/03

ENERGY DATA

| | |
|---|---|
| Total Luminaire Efficiency | 80.3% |
| Luminaire Efficacy Rating (LER) | 53 |
| IESNA RP-1-1993 Compliance | Non-Compliant |
| Comparative Yearly Lighting Energy Cost per 1000 Lumens | \$4.53 based on 3000 hrs. and \$0.08 per KWH |

INDOOR CANDELA PLOT



AVG. LUMINANCE (Candela/Sq. M.)

| | 0.0 | 22.5 | 45.0 | 67.5 | 90.0 |
|----|------|------|------|------|------|
| 0 | 6198 | 6198 | 6198 | 6198 | 6198 |
| 30 | 6093 | 6130 | 6170 | 6181 | 6207 |
| 40 | 6000 | 6054 | 6221 | 6585 | 6636 |
| 45 | 5938 | 6007 | 6424 | 6457 | 6247 |
| 50 | 5863 | 5975 | 6532 | 5759 | 5466 |
| 55 | 5742 | 5923 | 5992 | 4862 | 4518 |
| 60 | 5611 | 6088 | 5128 | 3822 | 3553 |
| 65 | 5423 | 6187 | 4045 | 3126 | 2996 |
| 70 | 5154 | 5405 | 3192 | 2892 | 2879 |
| 75 | 4844 | 4082 | 2960 | 2853 | 2889 |
| 80 | 4359 | 3196 | 3011 | 3011 | 3064 |
| 85 | 3544 | 3491 | 3702 | 4000 | 4000 |

COEFFICIENTS OF UTILIZATION (%)

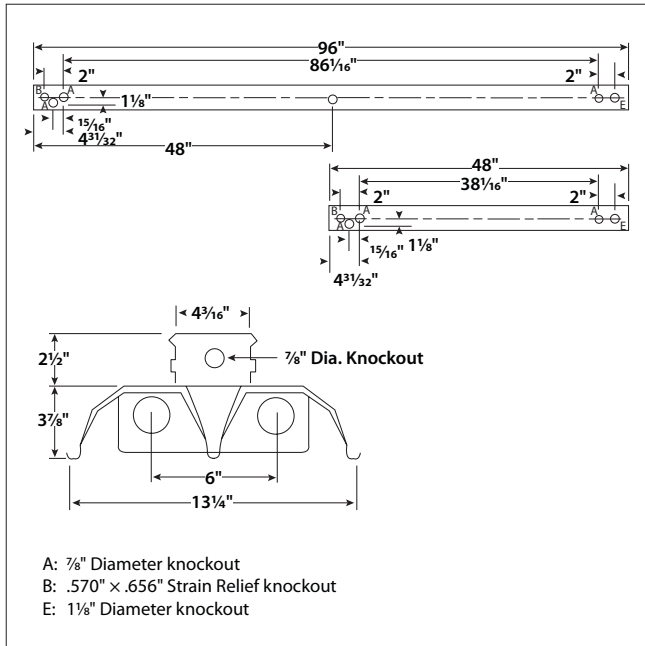
| RCR | RW | 80 | | | | 70 | | | | 50 | | | | 0 |
|-----|----|----|----|----|----|----|----|----|----|----|----|----|---|---|
| | | 70 | 50 | 30 | 10 | 70 | 50 | 30 | 10 | 50 | 30 | 10 | 0 | |
| 1 | 81 | 80 | 77 | 74 | 80 | 77 | 74 | 72 | 71 | 69 | 66 | 55 | | |
| 2 | 77 | 70 | 65 | 61 | 73 | 67 | 63 | 59 | 62 | 58 | 55 | 46 | | |
| 3 | 70 | 62 | 56 | 51 | 67 | 59 | 54 | 49 | 55 | 50 | 46 | 39 | | |
| 4 | 64 | 55 | 48 | 43 | 61 | 53 | 47 | 42 | 49 | 44 | 40 | 33 | | |
| 5 | 59 | 49 | 42 | 37 | 56 | 47 | 41 | 36 | 44 | 38 | 34 | 29 | | |
| 6 | 54 | 44 | 37 | 32 | 52 | 42 | 36 | 31 | 39 | 34 | 30 | 25 | | |
| 7 | 50 | 40 | 33 | 28 | 48 | 38 | 32 | 28 | 36 | 30 | 26 | 22 | | |
| 8 | 47 | 36 | 30 | 25 | 45 | 35 | 29 | 25 | 33 | 27 | 24 | 20 | | |
| 9 | 44 | 33 | 27 | 22 | 42 | 32 | 26 | 22 | 30 | 25 | 24 | 18 | | |
| 10 | 41 | 30 | 24 | 20 | 39 | 30 | 24 | 20 | 28 | 23 | 19 | 16 | | |

RCR = Room Cavity Ratio

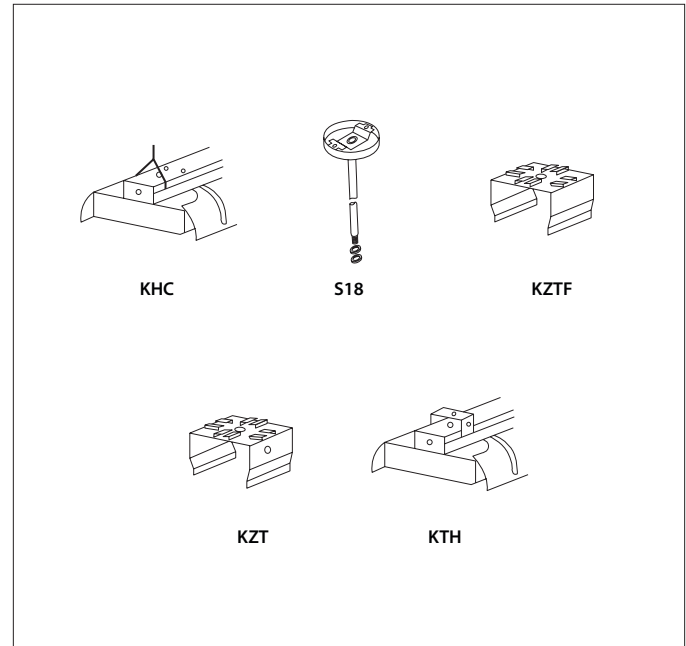
RC = Effective Ceiling Cavity Reflectance RW = Wall Reflectance

0.0 ——— 45.0 - - - - - 90.0 - - - - -

DIMENSIONAL DATA



MOUNTING ACCESSORIES



NOTE: All dimensions are in inches; dimensions and specifications are subject to change without notice. Please consult factory or check sample for verification.