

**FEATURES**

- Available in 4' and 8' lengths
- Reflectors have 18% uplight and 30° transverse shielding
- Spring loaded turret lampholders
- 6" lamp spacing
- For individual or continuous row mounting
- Channel ends double as joiners
- Full depth end closures available
- T5/T5HO versions feature rotating locking sockets without turrets

**PROJECT INFORMATION**

Project Name \_\_\_\_\_

Type \_\_\_\_\_

Catalog No. \_\_\_\_\_

Date \_\_\_\_\_

**CONSTRUCTION**

Heavy steel housing with longitudinal reinforcing ribs for extra strength. Reflector die-embossed with transverse ribs for maximum rigidity. Deep Vee center channel provides 30° crosswise shielding. Smooth, extruded apertures provide 18% uplight.

**ELECTRICAL**

Standard class "P", thermally protected, auto-resetting HPF ballast, sound rated A. CEE NEMA Premium compliant. All ballast leads extend a minimum of 6" through access location. NEC/CEC-compliant ballast disconnect is standard.

**FINISH**

White painted parts are treated with a five stage phosphate bonding process and finished with a high reflectance baked enamel.

**CERTIFICATION**

All luminaires are built to UL 1598 standards and bear appropriate UL and cUL or CSA labels. Damp location labeling is standard. Emergency-equipped fixtures labeled UL 924.

**BALLASTS**

Energy efficient, thermally protected, automatic resetting, Class P, high power factor, sound rated A, unless otherwise specified. CEE NEMA Premium compliant.

**ORDERING INFORMATION**

**EXAMPLE KL4-232-VR-EU-GLR**

<b>KL</b>	<b>- 2</b>	<b>32</b>	<b>- VR -</b>			
<b>MODEL</b> KL Premium Industrial	<b>NO. OF LAMPS IN CROSS SECTION</b> 2 Two	<b>REFLECTOR TYPE</b> VR Deep V Reflector Apertured for Uplight (Standard) (Not available with solid top)	<b>BALLAST</b> E Electronic T8, Instant Start 4E 4-Lamp Electronic T8, Instant Start EP Electronic T8, Program Start 4EP 4-Lamp Electronic T8, Program Start	<b>VOLTAGE</b> U 120V-277V 347 347V	<b>OPTIONS</b> GLR Fast Blow Fuse GMF Slow Blow Fuse EL Emergency Battery Pack BC Branch Circuit Plug-on Wiring System (See options section for details.) PAF Paint After Fabrication NYC NYC Compliant NYCU NYC Compliant, Union Label	
	<b>SIZE</b> 4 4' 8 8'	<b>LAMP TYPE</b> 32 4', T8: 32, 30, 28 or 25 Watt	For others available, see Ballast Options.			

**ACCESSORIES (ORDER SEPARATELY)**

- KZT** Zip Tee Hanger - 1½" spacer on T-bar ceiling
- KTH** Slide Clamp Tong Hanger
- S18** 18" Stem, canopy and 8° aligner
- SS18** 18", 45° Swivel Stem & Canopy
- KHC** 24" Chain Hanging Assembly
- KLEC** Full Depth End Closure
- KLWG4** Wire Guard 4' lg. - 2 required per 8' fixture

Note: KLEGG not available with V reflector fixtures

## PHOTOMETRIC DATA

### LUMINAIRE DATA

Luminaire	KL4-232-VR-EB8-PAF KL Industrial 1' x 4' White Painted Apertured "V" Reflector with Slotted Top
Ballast	B232I120RH
Ballast Factor	0.88
Lamp	FO32/41K BAL. FAC.: .88
Lumens per Lamp	2900
Watts	63
Shielding Angle	N/A
Spacing Criterion	0° = 1.27 90° = 1.34
Luminous Opening in Feet	Length: 3.92 Width: 1.02 Height: 0.08

### ZONAL LUMEN SUMMARY

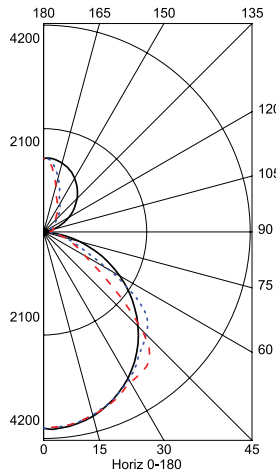
Zone	Lumens	% Lamp	% Fixt.
0-30	1195	20.6	23.2
0-40	1984	34.2	38.6
0-60	3462	60.0	67.7
0-90	4208	72.5	81.8
90-120	196	3.4	3.8
90-130	308	5.3	6.0
90-150	606	10.4	11.8
90-180	937	16.2	18.2
0-180	5145	88.7	100.0

Test L11148 Test Date 1/8/03

### ENERGY DATA

Total Luminaire Efficiency	88.7%
Luminaire Efficacy Rating (LER)	72
IESNA RP-1-1993 Compliance	Non-Compliant
Comparative Yearly Lighting Energy Cost per 1000 Lumens	\$3.33 based on 3000 hrs. and \$0.08 per KWH

### INDOOR CANDELA PLOT



### AVG. LUMINANCE (Candela/Sq. M.)

Average Luminance Angle	0.0	22.5	45.0	67.5	90.0
0	4092	4092	4092	4092	4092
30	4012	3945	3938	3939	4003
40	3921	3859	3907	4132	4214
45	3854	3793	3996	4035	3827
50	3762	3752	4052	3326	2957
55	3671	3681	3696	2489	2203
60	3547	3693	2790	1914	1778
65	3357	3702	2016	1647	1592
70	3115	3192	1651	1477	1457
75	2822	2076	1460	1353	1336
80	2251	1493	1277	1204	1213
85	1252	1209	1133	1079	1108

### COEFFICIENTS OF UTILIZATION (%)

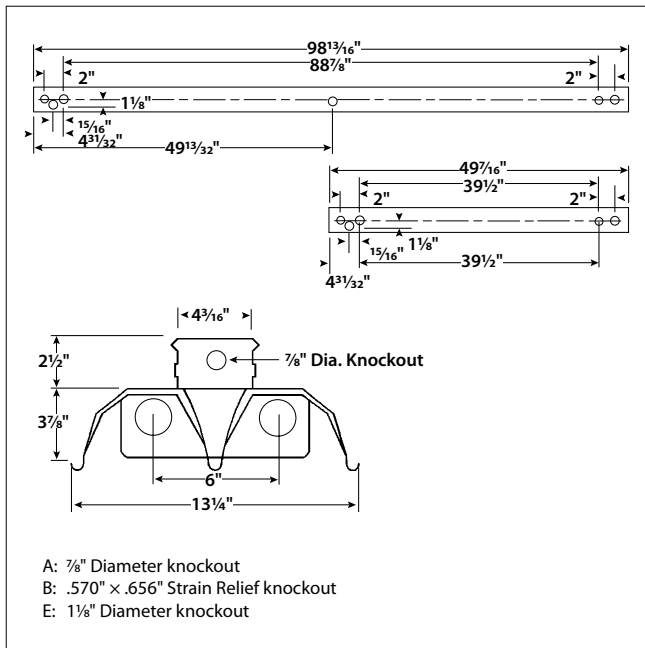
RCR	RC	80			70			50			0	
		RW	70	50	30	10	70	50	30	10	50	30
1	93	89	86	83	89	86	83	80	79	77	74	61
2	85	78	73	68	81	75	70	66	69	65	62	52
3	78	69	62	57	74	66	60	55	61	56	52	44
4	71	61	54	48	68	59	52	47	55	49	45	38
5	65	55	47	41	63	53	46	41	49	43	39	33
6	60	49	42	36	58	47	40	35	44	38	34	29
7	56	44	37	32	54	43	36	31	40	34	30	25
8	52	40	33	28	50	39	32	28	37	31	27	23
9	49	37	30	25	46	36	29	25	34	28	24	20
10	45	34	27	23	44	33	27	22	31	26	22	18

RCR = Room Cavity Ratio

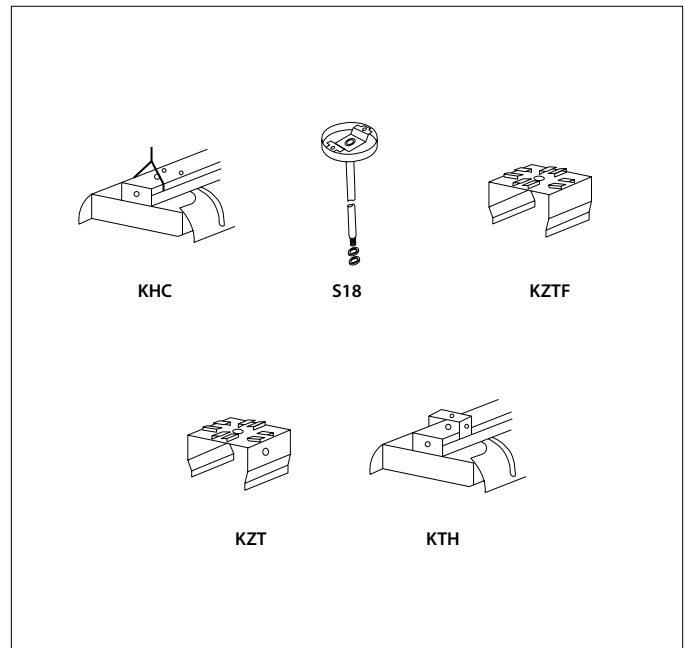
RC = Effective Ceiling Cavity Reflectance RW = Wall Reflectance

0.0 ——— 45.0 - - - - - 90.0 - - - - -

### DIMENSIONAL DATA



### MOUNTING ACCESSORIES



**NOTE:** All dimensions are in inches; dimensions and specifications are subject to change without notice. Please consult factory or check sample for verification.