

FEATURES

- Available in 4' and 8' lengths
- Reflectors have 15% uplight
- Spring loaded turret lampholders
- 6" lamp spacing
- For individual or continuous row mounting
- Channel ends double as joiners
- Full depth end closures available

PROJECT INFORMATION

Project Name _____

Type _____

Catalog No. _____

Date _____

CONSTRUCTION

Heavy steel housing with longitudinal reinforcing ribs for extra strength.

FINISH

White painted parts are treated with a five stage phosphate bonding process and finished with a high reflectance baked enamel.

ELECTRICAL

Standard class "P", thermally protected, auto-resetting HPF ballast, sound rated A. All ballast leads extend a minimum of 6" through access location. NEC/CEC-compliant ballast disconnect is standard.

CERTIFICATION

All luminaires are built to UL 1598 standards and bear appropriate UL and cUL or CSA labels. Damp location labeling is standard. Emergency-equipped fixtures labeled UL 924.

ORDERING INFORMATION

EXAMPLE KL8-296H0-U-EP120-GLR

KL					EP				
MODEL	SIZE	NO. OF LAMPS IN CROSS SECTION	LAMP TYPE	REFLECTOR TYPE	VOLTAGE	OPTIONS			
KL Premium Industrial	4 4' 8 8'	2 Two 3 Three 4 Four	48H0 4', T12: 60 Watt 96H0 8', T12: 110 or 95 Watt 96T8H0 8', T8: 86 Watt	U Apertured Reflector for Uplight (Standard) ST Solid Top (No Uplight) SLR Specular Reflector with Uplight SLRST Specular Reflector Solid Top	120 120V 277 277V 347 347V	GLR Fast Blow Fuse GMF Slow Blow Fuse EL Emergency Battery Pack BC Branch Circuit Plug-on Wiring System (See options section for details.) PAF Paint After Fabrication NYC NYC Compliant NYCU NYC Compliant, Union Label	ACCESSORIES (ORDER SEPARATELY)		
					BALLAST				
					EP Electronic, Program Start				
					For others available, see Ballast Options.		KZT Zip Tie Hanger - 1½" spacer on T-bar ceiling KTH Slide Clamp Tong Hanger S18 18" Stem, canopy and 8° aligner SS18 18", 45° Swivel Stem & Canopy KHC 24" Chain Hanging Assembly KLEC Full Depth End Closure KLWG4 Wire Guard 4' lg. - 2 required per 8' fixture KLEGG White Straight Blade Egg Crate Louver 4' - 2 required per 8' fixture		

PHOTOMETRIC DATA

LUMINAIRE DATA

Luminaire	KL8-296HO-U KL Industrial 1' x 8' 2-L High Output Industrial w/White PAF Apertured Reflector
Ballast	480-X-TC-P
Ballast Factor	0.95
Lamp	F96T12/CW/HO
Lumens per Lamp	8800
Watts	252
Shielding Angle	N/A
Spacing Criterion	0° = 1.26 90° = 1.26
Luminous Opening in Feet	Length: 8.00 Width: 1.02 Height: 0.00

ZONAL LUMEN SUMMARY

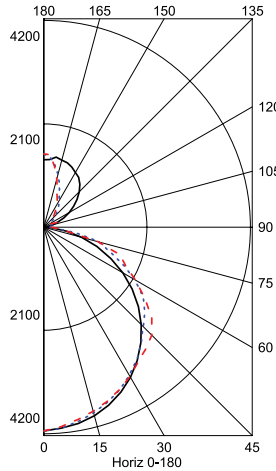
Zone	Lumens	% Lamp	% Fixt.
0-30	3182	18.1	21.1
0-40	5250	29.8	34.8
0-60	9612	54.6	63.6
0-90	12738	72.4	84.3
90-120	535	3.0	3.5
90-130	780	4.4	5.2
90-150	1508	8.6	10.0
90-180	2364	13.4	15.7
0-180	15102	85.8	100.00

Test 10244 Test Date 1/8/03

ENERGY DATA

Total Luminaire Efficiency	85.8%
Luminaire Efficacy Rating (LER)	57
IESNA RP-1-1993 Compliance	Non-Compliant
Comparative Yearly Lighting Energy Cost per 1000 Lumens	\$4.21 based on 3000 hrs. and \$0.08 per KWH

INDOOR CANDELA PLOT



AVG. LUMINANCE (Candela/Sq. M.)

Average Luminance Angle	0.0	22.5	45.0	67.5	90.0
0	5457	5457	5457	5457	5457
30	5359	5237	5292	5340	5330
40	5283	5166	5297	5467	5550
45	5223	5128	5330	5680	5779
50	5143	5085	5483	5967	5877
55	5037	5020	5660	5754	5747
60	4889	4957	5633	5651	5667
65	4694	5019	5500	5621	5706
70	4428	5141	5419	6098	6368
75	4062	4888	5912	6065	5836
80	3570	4740	4923	3836	3631
85	2815	4056	3905	4147	4253

COEFFICIENTS OF UTILIZATION (%)

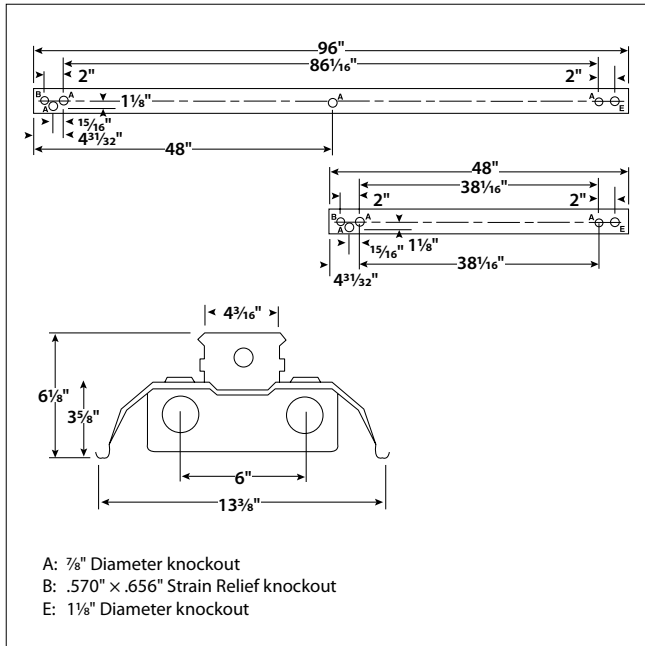
RCR	RC	80			70			50			0	
		RW	70	50	30	10	70	50	30	10	50	30
1	90	86	82	78	86	82	79	76	76	73	71	59
2	81	74	68	63	78	71	66	61	66	62	58	49
3	74	65	58	52	71	62	56	51	58	52	48	41
4	67	57	49	44	64	55	48	43	51	45	41	34
5	62	51	43	37	59	49	42	36	46	40	35	30
6	57	45	38	32	54	44	37	32	41	35	30	26
7	53	41	34	28	50	40	33	28	37	31	27	23
8	49	37	30	25	47	36	29	25	34	28	24	20
9	46	34	27	22	44	33	27	22	31	25	21	18
10	43	31	25	20	41	31	24	20	29	23	19	16

RCR = Room Cavity Ratio

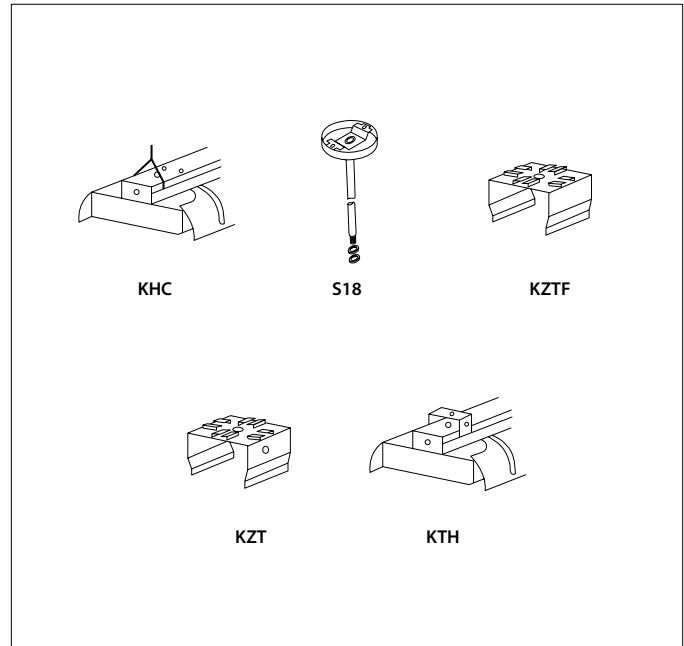
RC = Effective Ceiling Cavity Reflectance RW = Wall Reflectance

0.0 ——— 45.0 - - - - - 90.0 - - - - -

DIMENSIONAL DATA



MOUNTING ACCESSORIES



NOTE: All dimensions are in inches; dimensions and specifications are subject to change without notice. Please consult factory or check sample for verification.