

FEATURES

- Available 4', 8' and tandem wired 16'
- Heavy duty channel with longitudinal reinforcing ribs for added rigidity and easy slide clamp hanging
- ¼ turn fasteners retain the ballast cover for quick and easy installation
- Telescopic spring loaded lampholders
- Channel ends double as joiners
- Individual or row mounting. Surface or suspended

PROJECT INFORMATION

Project Name _____

Type _____

Catalog No. _____

Date _____

CONSTRUCTION

Heavy steel housing with longitudinal reinforcing ribs for extra strength.

FINISH

White painted parts are treated with a five stage phosphate bonding process and finished with a high reflectance baked enamel.

ELECTRICAL

Standard class "P", thermally protected, auto-resetting HPF ballast, sound rated A. All ballast leads extend a minimum of 6" through access location. NEC/CEC-compliant ballast disconnect is standard.

CERTIFICATION

All luminaires are built to UL 1598 standards and bear appropriate UL and cUL or CSA labels. Damp location labeling is standard. Emergency-equipped fixtures labeled UL 924.

ORDERING INFORMATION

EXAMPLE K16-159-EU-EL-GLR

K				E		
MODEL	SIZE	NO. OF LAMPS IN CROSS SECTION	LAMP TYPE	BALLAST	VOLTAGE	OPTIONS
K Heavy Duty Channel	4 4' 8 8' 16 16' (Tandem)	1 One 2 Two	48T8 4', T8: 34 Watt 48 4', T12: 40 Watt 96T8 8', T8: 59 Watt 96 8', T12: 75 or 60 Watt	E Electronic T8, Instant Start For a specific ballast vendor show as option.	U 120V-277V 347 347V (1-Lamp T8 specify voltage)	GLR Fast Blow Fuse GMF Slow Blow Fuse EL Emergency Battery Pack BC Branch Circuit Plug-on Wiring System (See options section for details.) UN Full Height Channel Ends PAF Paint After Fabrication NYC NYC Compliant NYCU NYC Compliant, Union Label
ACCESSORIES (ORDER SEPARATELY)						
ITB4 Hanger for close mounting on a T-Bar Ceiling						
KZTF Zip Tee Hanger - flush mounting on T-bar ceiling						
KZT Zip Tee Hanger - 1/2" spacer on tee bar ceiling						
KTH Slide Clamp Tong Hanger						
CSWG4 4' Wire Guard, 2 required for 8' fixture						
CSRA4 4' Asymmetric Reflector						
CSR4 4' Symmetric Reflector						

PHOTOMETRIC DATA

LUMINAIRE DATA

Luminaire	K8-196 K Striplight 1-Lamp 8' Slimline Striplight - White Enamel Reflector
Ballast	RSM-175-S
Ballast Factor	0.93
Lamp	F96T12
Lumens per Lamp	6100
Watts	89
Shielding Angle	N/A
Spacing Criterion	0° = 1.24 90° = 1.55
Luminous Opening in Feet	Length: 8.00 Width: 0.37 Height: 0.00

ZONAL LUMEN SUMMARY

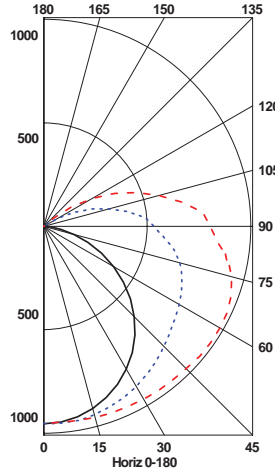
Zone	Lumens	% Lamp	% Fixt.
0-30	775	12.7	14.0
0-40	1317	21.6	23.7
0-60	2617	42.9	47.2
0-90	4533	74.3	81.7
90-120	959	15.7	17.3
90-130	1012	16.6	18.2
90-150	1016	16.7	18.3
90-180	1016	16.7	18.3
0-180	5549	91.0	100.0

Test 11324 Test Date 1/8/03

ENERGY DATA

Total Luminaire Efficiency	91.0%
Luminaire Efficacy Rating (LER)	58
IESNA RP-1-1993 Compliance	Non-Compliant
Comparative Yearly Lighting Energy Cost per 1000 Lumens	\$4.14 based on 3000 hrs. and \$0.08 per KWH

INDOOR CANDELA PLOT



AVG. LUMINANCE (Candela/Sq. M.)

	0.0	22.5	45.0	67.5	90.0
0	3466	3466	3466	3466	3466
30	3342	3477	3750	3964	4044
40	3247	3503	4011	4439	4595
45	3173	3538	4217	4793	4994
50	3089	3581	4498	5273	5544
55	2973	3665	4901	5890	6226
60	2829	3811	5484	6727	7142
65	2642	4096	6316	7882	8415
70	2403	4604	7549	9569	10239
75	2108	5522	9554	12266	13179
80	1759	7330	13340	17486	18890
85	1460	12267	24201	32337	35091

COEFFICIENTS OF UTILIZATION (%)

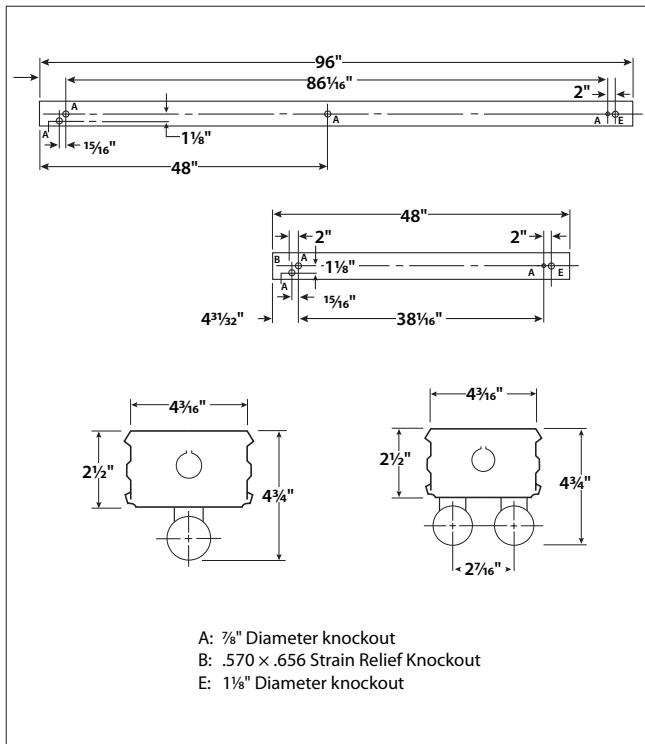
RCR	RW	80				70				50				0			
		70	50	30	10	70	50	30	10	50	30	10	0	50	30	10	0
1	91	85	79	74	86	81	76	72	74	70	66	66	53				
2	81	72	64	57	77	68	61	55	62	56	51	41	33				
3	73	62	53	46	69	59	51	44	54	47	41	33	27				
4	66	54	45	38	63	51	43	37	47	40	34	27	23				
5	60	48	38	32	57	45	37	31	42	34	29	23	19				
6	56	42	34	27	53	41	32	26	37	30	25	19	15				
7	51	38	30	24	49	37	29	23	34	27	22	17	13				
8	48	35	26	21	45	33	26	20	31	24	19	15	11				
9	44	32	24	18	42	30	23	18	28	22	17	13	9				
10	42	29	21	16	39	28	21	16	26	20	15	12	7				

RCR = Room Cavity Ratio

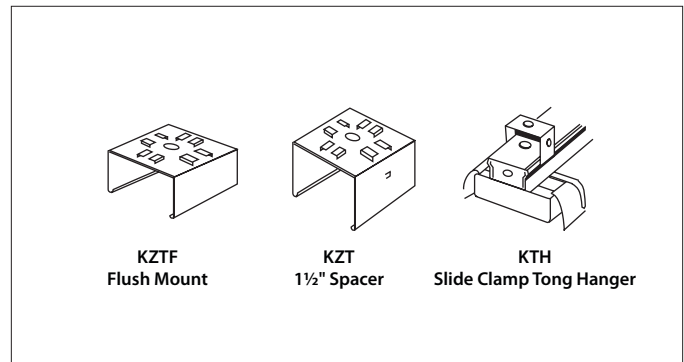
RC = Effective Ceiling Reflectance RW = Wall Reflectance

0.0 ——— 45.0 - - - - 90.0 - - - -

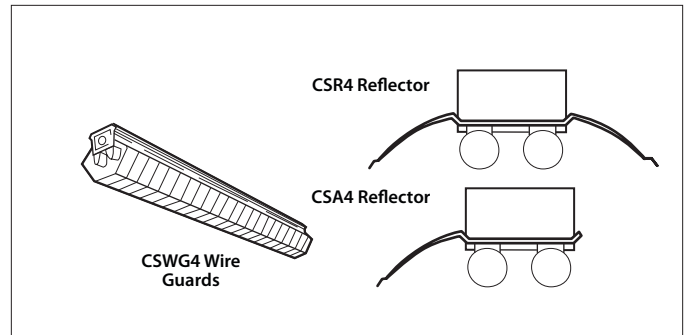
DIMENSIONAL DATA



MOUNTING ACCESSORIES



ACCESSORIES



NOTE: All dimensions are in inches; dimensions and specifications are subject to change without notice. Please consult factory or check sample for verification.