

FEATURES

- T8 optimized fluorescent lensed troffer
- Shallow design frees up plenum space
- Hemmed fixture edges reduce risk of injury during fixture handling and installation
- Integral T-bar clips quickly secure fixture to the grid
- Metal to metal light leak protection on all four sides of shielding frame
- Snap-in ballast cover requires no tools for wireway access
- T-hinging for easy insertion and removal of shielding frame from either side of the housing
- Flush steel shielding frame is equipped with simple-to-use corner tabbing for diffuser replacement
- Housing embossments provide extra strength and rigidity

PROJECT INFORMATION

Project Name _____

Type _____

Catalog No. _____

Date _____

HOUSING

Heavy gauge steel. Die formed for extra rigidity. Designed for installation in standard inverted tee grid ceilings.

BALLASTS

Energy-efficient, thermally protected, automatic resetting, Class P, high power factor, sound rated A, unless otherwise specified. Generic ballasts may be supplied by a wide variety of reputable vendors. For a specific vendor and/or ballast, specify as option.

FINISH

All metal parts are processed with a 5-phase phosphate bonding treatment. Grid units are pre-painted with high gloss baked white enamel, 86% reflective. Polyester powder coat paint after fabrication (PAF) option available, reflectance 90%.

SHIELDING

100% virgin acrylic prismatic A12, extruded and roll-embossed, diagonally oriented female prisms standard. Other shielding may be specified. If desired shielding media is not shown, contact your local Columbia Lighting representative.

CERTIFICATION

All luminaires are built to UL 1598 standards and bear appropriate UL and cUL or CSA labels. Damp location labeling is standard. Emergency-equipped fixtures labeled UL 924.

CEILING COMPATIBILITY

Available to fit most standard ceiling types as shown at left. For information on compatibility with specific ceilings, contact your local Columbia Lighting representative.

ORDERING INFORMATION

EXAMPLE JT824-432G-FSA12-EU-F0735-C488-GLR

MODEL	NO. OF LAMPS	CEILING TYPE	SHIELDING	VOLTAGE	OPTIONS
JT8 Dedicated T8 Lensed Troffer	4 Four	G Inverted T-Bar	A12 Pattern 12 Acrylic 0.100" Nominal (Std.) A12.125 Pattern 12 Acrylic 0.125" Nominal A19 Pattern 19 Acrylic 0.156" Male Prism PC1 Silver Parabolic Louver 1/2" x 1/2" x 1/2"	U 120V-277V 347 347V	F0730 T8, 70CRI, 3000K Lamps, Furn/Inst. F0735 T8, 70CRI, 3500K Lamps, Furn/Inst. F0741 T8, 70CRI, 4100K Lamps, Furn/Inst. GLR Fast Blow Fuse EL Emergency Battery Pack SLL Spring Loaded Latches C388 3/8" Flex with 3 No. 18 Wires C384 3/8" Flex with 3 No. 14 Wires C488 3/8" Flex with 4 No. 18 Wires C424 1/2" Flex with 4 No. 14 Wires PAF Paint After Fabrication MS9 Master/Satellite w/9' Harness
	SIZE 24' x 4'	DOOR STYLE FS Flush Steel FA Flush Aluminum For additional door styles contact your local Columbia Lighting representative.	For more shielding, see Options and Accessories.	BALLAST E Electronic T8, Instant Start 4E 4-Lamp Electronic T8, Instant Start For a specific ballast vendor, show as option.	For a complete set of options, see Options and Accessories.
	LAMP TYPE 32 4', T8: 32, 30, 28 or 25 Watt				ACCESSORIES (ORDER SEPARATELY) FK24 2' x 4' Flange Kit

Test I52515 Test Date 1/8/03

PHOTOMETRIC DATA

LUMINAIRE DATA

Luminaire	JT824-432G-FSA12-E-PAF J Lensed Troffer 2'x4' 4-Lamp with A-12 Pattern Acrylic Prismatic Lens
Ballast	B4321120RH-A
Ballast Factor	0.88
Lamp	F32T8
Lumens per Lamp	2950
Watts	111
Shielding Angle	N/A
Spacing Criterion	0° = 1.22 90° = 1.32

ZONAL LUMEN SUMMARY

Zone	Lumens	%Lamp	%Fixt.
0-30	3103	26.3	32.0
0-40	5053	42.8	52.0
0-60	8240	69.8	84.9
0-90	9707	82.3	100.0
0-180	9707	82.3	100.0

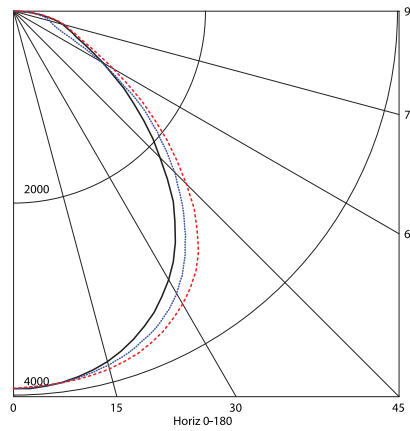
ENERGY DATA

Total Luminaire Efficiency	82.3%
Luminaire Efficacy Rating (LER)	78
ANSI/IESNA RP-1-2004 Compliance	Noncompliant
Comparative Yearly Lighting Energy Cost per 1000 Lumens	\$3.08 based on 3000 hrs. and \$0.08 per KWH

COEFFICIENTS OF UTILIZATION (%)

RCR	RW	80				70				50				0
		70	50	30	10	70	50	30	10	50	30	10	0	
1	90	86	83	80	88	85	82	79	81	79	76	70	0	
2	83	76	71	67	81	75	70	66	72	68	64	60	0	
3	76	68	61	56	74	66	61	56	64	59	55	51	0	
4	70	61	54	49	68	60	53	48	57	52	48	45	0	
5	65	55	48	42	63	54	47	42	52	46	42	39	0	
6	60	49	42	37	58	49	42	37	47	41	37	35	0	
7	56	45	38	33	54	44	38	33	43	37	33	31	0	
8	52	41	34	30	51	41	34	30	40	34	30	28	0	
9	49	38	31	27	47	37	31	27	36	31	27	25	0	
10	46	35	29	24	45	35	29	24	34	28	24	23	0	

INDOOR CANDELA PLOT



AVG. LUMINANCE (Candela/Sq. M.)

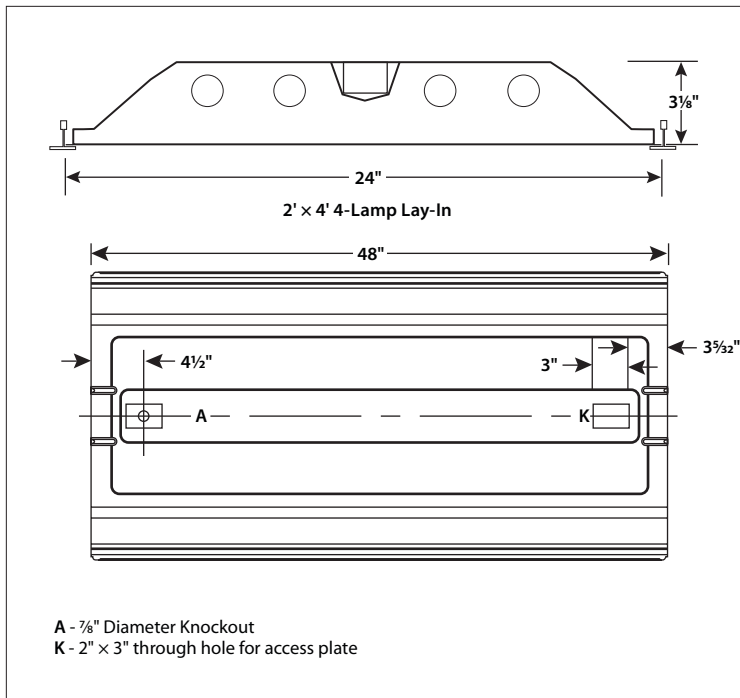
Average Luminance Angle	0.0	22.5	45.0	67.5	90.0
0	6159	6159	6159	6159	6159
30	5845	5961	6147	6335	6371
40	5293	5422	5641	5994	6082
45	4779	5007	5267	5608	5643
50	4307	4514	4765	5072	5079
55	3838	3944	4108	4370	4450
60	3365	3306	3274	3594	3766
65	3010	2769	2439	2940	3247
70	2973	2593	2098	2671	3101
75	3208	2706	2385	2803	3305
80	3356	3004	2842	3158	3564
85	3433	3577	3326	3829	3721

RCR = Room Cavity Ratio

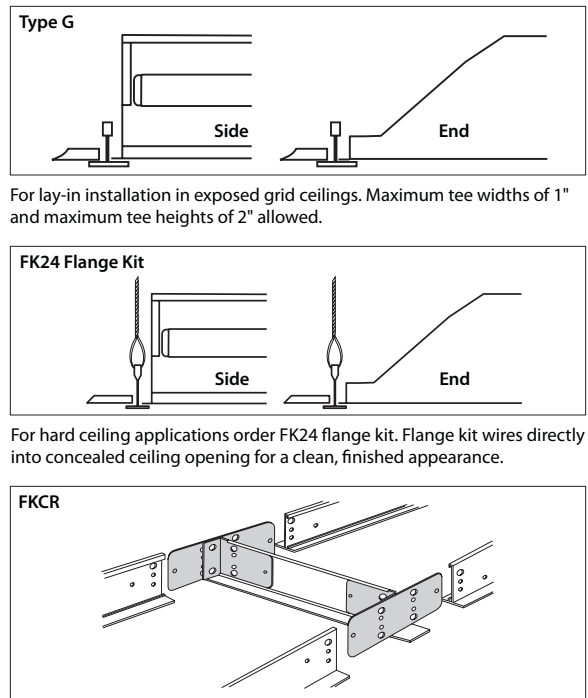
RC = Effective Ceiling Cavity Reflectance RW = Wall Reflectance

0.0 — 45.0 — 90.0 —

DIMENSIONAL DATA



CEILING COMPATIBILITY



NOTE: All dimensions are in inches; dimensions and specifications are subject to change without notice. Please consult factory or check sample for verification.

For flanged fixtures in row configurations, the FKCR adapter bracket kit is required in addition to the FK24 kit. Order one less FKCR than the total number of fixtures in row. (Example: Row of two, order (2) FK24 & (1) FKCR)

Row cut out dimensions using FK24 & FKCR adapters:
Width 24 3/8", Length [48" x (# in row)] + 3/8". Example: (48" x 2) + 3/8" = 96 3/8"
Flange kit rough in dimensions for single unit only: 24 3/8" x 48 3/8"