



### PHOTOMETRIC DATA

Test 13443 Test Date 5/30/03

#### LUMINAIRE DATA

Luminaire	FW104-140TTG-EBTT-PAF FW Parabolic 10" x 48" 2-LAMP WITH MATTE ALUMINUM REFLECTOR
Ballast	REL2TTS40
Ballast Factor	0.85
Lamp	F40BX
Lumens per Lamp	3150
Watts	71
Shielding Angle	N/A
Spacing Criterion	N/A
Luminous Opening in Feet	Length: 3.78 Width: 0.67 Height: 0.00

#### ZONAL LUMEN SUMMARY

Zone	Lumens	% Lamp	% Fixt.
0-30	1006	16.0	23.4
0-40	1723	27.3	40.0
0-60	3227	51.2	75.0
0-90	4305	68.3	100.0
0-180	4305	68.3	100.0

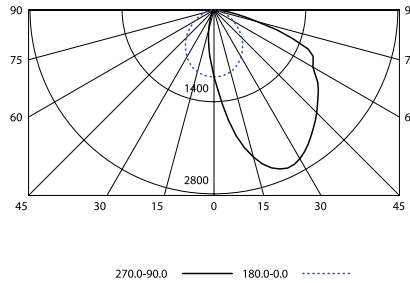
#### ENERGY DATA

Total Luminaire Efficiency	68.3%
Luminaire Efficacy Rating (LER)	52
IESNA RP-1-1993 Compliance	Non-compliant
Comparative Yearly Lighting Energy Cost per 1000 Lumens	\$4.62 based on 3000 hrs. and \$0.08 per KWH

#### CANDELA SUMMARY

	90.0	135.0	180.0	225.0	270.0
0.0	1015	1015	1015	1015	1015
7.5	1689	1494	1007	699	590
15.0	2318	2004	974	450	310
22.5	2619	2317	910	272	154
30.0	2614	2425	821	157	73
37.5	2424	2333	714	86	32
45.0	2212	2099	596	44	13
52.5	2003	1835	469	21	6
60.0	1738	1565	343	10	3
67.5	1550	1263	232	5	3
75.0	679	891	139	3	2
82.5	216	201	67	2	1
90.0	1	2	2	1	0

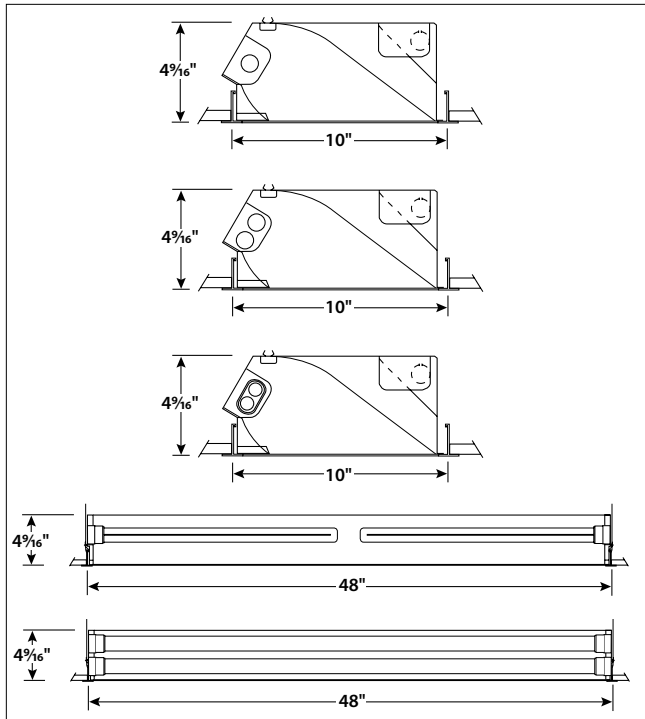
#### INDOOR CANDELA PLOT



#### AVG. LUMINANCE (Candela/Sq. M.)

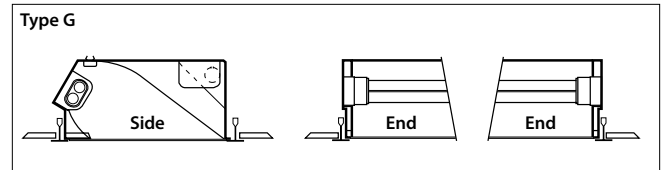
	90.0	135.0	180.0	225.0	270.0
0	4314	4314	4314	4314	4314
30	12829	11901	4029	771	358
40	13049	12561	3756	383	133
45	13295	12616	3582	264	78
50	13647	12695	3379	179	53
55	14279	12960	3157	119	37
60	14774	13303	2916	85	26
65	16734	13828	2685	60	30
70	15856	14788	2473	37	37
75	11150	14632	2283	49	33
80	8077	8469	2154	49	24
85	5169	5218	2243	49	49

#### DIMENSIONAL DATA

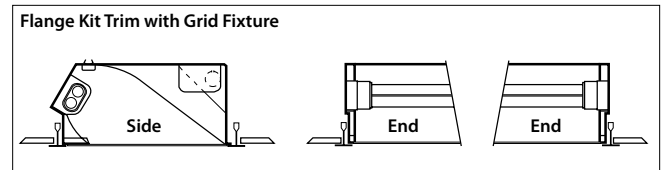


**NOTE:** All dimensions are in inches; dimensions and specifications are subject to change without notice. Please consult factory or check sample for verification.

#### CEILING COMPATIBILITY



For lay-in installation in exposed grid ceilings. Maximum tee widths of 1" and maximum tee heights of 2" allowed.



For hard ceiling applications "G" fixtures are provided with a flange kit that wires directly into the concealed ceiling opening for a clean finished appearance. For flange fixtures in row configurations contact your local Columbia representative.

Flange kit cut out dimensions for single unit only: FWFK4 - 10 3/8" x 48 3/8"