

SEE WEBSITE FOR IMAGE.

FEATURES

- For use in outdoor, hosedown, hazardous, and corrosive environments
- Ceiling, pendant, or wall mount
- Latches - captive, toggle action 304 SS
- Lens - tempered glass, high-impact acrylic or polycarbonate
- Gasket - one piece extruded silicone
- Bracket accessories - 304 SS
- UL844: Class I, Div. 2 Groups A, B, C, D (T-Code = T3C); Class II, Div. 2 Group G; Class III
- UL Listed 1598 Wet Location

PROJECT INFORMATION

Project Name _____

Type _____

Catalog No. _____

Date _____

HOUSING

One piece 20 gauge grade 304 stainless steel housing with extruded one piece silicone gasketing.

SHIELDING

Lens is 3/32" heat tempered glass or optional high-impact 100% DR acrylic or clear polycarbonate. Lens frame and captive toggle action latches are of grade 304 stainless steel.

BALLASTS

Energy efficient, thermally protected, automatic resetting, Class P, high power factor, sound rated A, unless otherwise specified. CEE NEMA Premium compliant.

ELECTRICAL

Standard class "P," thermally protected, auto-resetting HPF ballast, sound rated A. CEE NEMA Premium compliant. All ballast leads extend a minimum of 6" through access location.

CERTIFICATION

All luminaires are built to UL 1598 standards and bear appropriate UL and cUL or CSA labels. Wet location labeling is standard. NEMA 4X rated and UL 844 listed for Hazardous Locations. NFS listing available as option.

ORDERING INFORMATION

EXAMPLE FSPH4-232-EU

FSPH	4	-	32	-		
MODEL	LENGTH	NO. OF LAMPS IN CROSS SECTION	LAMP TYPE	BALLAST¹	LENS	VOLTAGE
FSPH Performer Series, Stainless Steel Hazardous Location	4 4'	1 One 2 Two 3 Three	32 4', T8: 32, 30, 28, or 25 Watt	E Electronic T8, Instant Start (-20°F for HO lamps) 3E 3-Lamp Electronic T8, Instant Start, <10% THD EP Electronic T8, Programmed Start 3EP 3-Lamp Electronic T8, Programmed Start	Blank Tempered Glass DR Acrylic High Impact, 100% DR	U 120V-277V 347 347V
						OPTIONS
						NC National Sanitation Foundation Certified FSPHWA Top Bracket Wall/Angle Kit, 2 Per Kit, 304 Stainless Steel FSPHB Top Bracket Suspension Kit, 2 Per Kit, 304 Stainless Steel BHD65U Hazardous and Damp Rated Emergency Battery Pack

¹ Ballasts may not be available in all combinations of lamp/voltage/starting temp/THD shown above.

PHOTOMETRIC DATA

Test HP05937 Test Date 5/6/05

LUMINAIRE DATA

Luminaire	FSPH4-332-3EU FSPH Hazardous Location 8" x 51" 3-Lamp Stainless Steel Housing and Clear Glass Lens
Ballast	EB8
Ballast Factor	0.88
Lamp	FO32T8/41K
Lumens per Lamp	2900
Watts	79
Mounting	Surface
Shielding Angle	0° = 90 90° = 0
Spacing Criterion	0° = 1.26 90° = 1.33
Luminous Opening in Feet	Length: 4.15 Width: 0.54 Height: 0.00

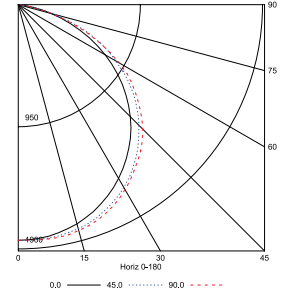
AVG. LUMINANCE (Candela/Sq. M.)

	0.0	22.5	45.0	67.5	90.0
0	8799	8799	8799	8799	8799
30	8652	8907	9107	9201	9207
40	8509	8872	9079	9248	9292
45	8362	8824	9014	9279	9306
50	8167	8690	8930	9184	9199
55	7897	8475	8768	9027	9078
60	7503	8098	8434	8799	8742
65	6933	7581	8001	8058	7910
70	6081	6853	7036	6952	6769
75	4881	5716	5530	5326	5122
80	3236	4011	3541	3209	2987
85	1323	1819	1323	1157	1102

COEFFICIENTS OF UTILIZATION (%)

RCR	80					70					50					0
	RW	70	50	30	10	70	50	30	10	50	30	10	0	0		
1	68	65	63	60	66	64	61	59	61	59	57	53	53	53		
2	62	57	53	49	60	56	52	49	53	50	47	44	44	44		
3	56	50	45	41	55	49	44	40	47	43	40	37	37	37		
4	52	44	39	35	50	43	38	34	42	37	34	32	32	32		
5	47	39	34	30	46	39	33	29	37	33	29	27	27	27		
6	44	35	30	26	42	35	30	26	34	29	25	24	24	24		
7	40	32	27	23	39	32	26	23	31	26	22	21	21	21		
8	38	29	24	20	37	29	24	20	28	23	20	19	19	19		
9	35	27	22	18	34	26	21	18	26	21	18	17	17	17		
10	33	25	20	16	32	24	20	16	24	19	16	15	15	15		

INDOOR CANDELA PLOT



RCR = Room Cavity Ratio

RC = Effective Ceiling Cavity Reflectance RW = Wall Reflectance

ENERGY DATA

Total Luminaire Efficiency	62.2%
Luminaire Efficacy Rating (LER)	60
IESNA RP-1-2004 Compliance	Noncompliant
Comparative Yearly Lighting Energy Cost per 1000 Lumens	\$4.00 based on 3000 hrs. and \$0.08 per KWH

ZONAL LUMEN SUMMARY

Zone	Lumens	% Lamp	% Fixt.
0-30	1468	16.9	27.1
0-40	2432	28.0	45.0
0-60	4378	50.3	81.0
0-90	5407	62.2	100.0
0-180	5407	62.2	100.0

LUMINAIRE DATA

Luminaire	FSPH4-232-EU FSPH Hazardous Location 1 x 4 2-Lamp Stainless Steel Housing and Clear Glass Lens CL I, DIV 2, GRPS. A, B, C, D; CL II, DIV 2, GRP. G; CL III
Ballast	EB8
Ballast Factor	0.88
Lamp	F32T8
Lumens per Lamp	2900
Watts	57
Shielding Angle	N/A
Spacing Criterion	0° = 1.26 90° = 1.41
Luminous Opening in Feet	Length: 4.15 Width: 0.54 Height: 0.00

AVG. LUMINANCE (Candela/Sq. M.)

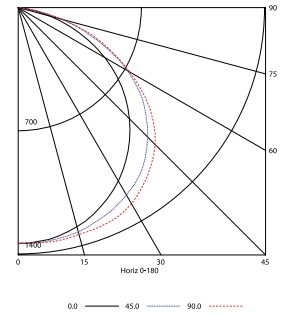
	0.0	22.5	45.0	67.5	90.0
0	6414	6414	6414	6414	6414
30	6294	6482	6809	7058	7119
40	6153	6509	7016	7278	7335
45	6056	6537	7045	7370	7452
50	5924	6550	7065	7422	7459
55	5729	6506	7057	7341	7332
60	5442	6361	6888	7051	7013
65	4998	6030	6449	6597	6585
70	4384	5518	5742	6120	6134
75	3498	4590	4942	4960	4756
80	2234	3310	3283	2952	2676
85	934	1649	1154	1099	989

COEFFICIENTS OF UTILIZATION (%)

RCR	80					70					50					0
	RW	70	50	30	10	70	50	30	10	50	30	10	0	0		
1	79	75	72	70	77	74	71	68	71	68	66	61	61	61		
2	71	65	61	56	69	64	60	56	62	58	54	50	50	50		
3	65	57	51	47	63	56	51	46	54	49	45	42	42	42		
4	59	51	44	39	58	50	44	39	48	43	39	36	36	36		
5	54	45	39	34	53	44	38	33	43	37	33	31	31	31		
6	50	40	34	29	49	40	34	29	38	33	29	27	27	27		
7	46	37	30	26	45	36	30	26	35	29	25	24	24	24		
8	43	33	27	23	42	33	27	23	32	26	23	21	21	21		
9	40	30	24	20	39	30	24	20	29	24	20	19	19	19		
10	38	28	22	18	37	28	22	18	27	22	18	17	17	17		

Test HP05945 Test Date 5/07/03

INDOOR CANDELA PLOT



RCR = Room Cavity Ratio

RC = Effective Ceiling Cavity Reflectance RW = Wall Reflectance

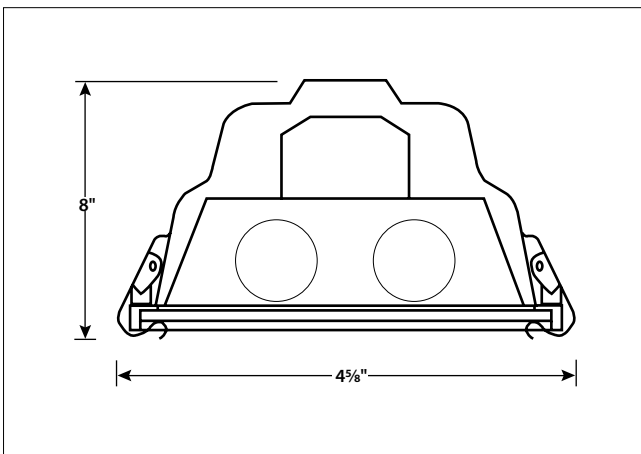
ENERGY DATA

Total Luminaire Efficiency	72.1%
Luminaire Efficacy Rating (LER)	65
IESNA RP-1-2004 Compliance	Noncompliant
Comparative Yearly Lighting Energy Cost per 1000 Lumens	\$3.69 based on 3000 hrs. and \$0.08 per KWH

ZONAL LUMEN SUMMARY

Zone	Lumens	% Lamp	% Fixt.
0-30	1083	18.7	25.9
0-40	1814	31.3	43.4
0-60	3334	57.5	79.7
0-90	4182	72.1	100.0
0-180	4182	72.1	100.0

CROSS SECTIONS



NOTE: All dimensions are in inches; dimensions and specifications are subject to change without notice. Please consult factory or check sample for verification.