

FEATURES

- Both T5 and T8 optical systems available
- Full distribution provides controlled high angle light for visual comfort
- Advanced optical design produces high efficiencies
- Exclusive T8 EnergyMax® tuned 1.04 ballast factor ballast
- Step dimming options available for both T5 and T8 expand energy savings opportunities
- Low W/ft² ratio meets the most restrictive lighting power density codes
- Typically qualifies for EPAct tax deductions
- Unique frameless optics system allows easy access to lamps and electrical from below the ceiling
- Lens styles provide aesthetic alternatives
- Low profile housing fits in tight plenum spaces
- Available with exclusive wiHUBB technology preinstalled
 - Peer to peer, self-healing wireless mesh network
 - Integrated control system for 0-10VDC or step dimming, or On/Off

PROJECT INFORMATION

Project Name _____

Type _____

Catalog No. _____

Date _____

CONSTRUCTION

Luminaire housing, end caps, and reflectors are die-formed code-gauge cold-rolled steel. Frameless optics system hinges from either side for easy access to lamps and electrical components. Mechanical light trap prevents light leaks. Latches are spring loaded.

FINISH

All visible parts are custom formulated soft, non-glare high-reflectance white powder coat finish, painted after fabrication.

SHIELDING

Lenses are high transmission extruded acrylic.

INSTALLATION

An access plate is furnished with each recessed fixture for fast wiring connections without the necessity to open the fixture or wireway.

BALLASTS

Energy efficient, thermally protected, automatic resetting, Class P, high power factor, sound rated A, magnetic or electronic ballasts. CEE NEMA Premium compliant.

ELECTRICAL

Standard class "P", thermally protected, autoresetting HPF ballast, sound rated A. CEE NEMA Premium compliant. All ballast leads extend a minimum of 6" through access location. NEC/CEC-compliant ballast disconnect is standard.

EMERGENCY

Field installation of battery packs requires use of remote test switch.

CEILING COMPATIBILITY

Luminaire is available to fit exposed grid ceilings, or hard ceilings when a flange kit is ordered. Some options may increase fixture depth. For information on compatibility with specific ceilings, or where plenum depth is a problem, contact your Columbia Lighting representative. Four integral T-bar clips are standard.

CERTIFICATION

All luminaires are built to UL 1598 standards and bear appropriate UL and cUL or CSA labels. Damp location labeling is standard. Emergency-equipped fixtures labeled UL 924.

ORDERING INFORMATION

EXAMPLE EPC14-132G-DL-EU-F0735

EPC 14 -									
MODEL	NO. OF LAMPS	CEILING TYPE	SHIELDING	AIR FUNCTION	VOLTAGE	OPTIONS			
EPC e-poc® Full Distribution Luminaire	1 One 2 Two (T5 only)	G Grid SM Surface Mount <i>For hard ceilings use flange kit.</i>	DL Delta Profile SH Shield Profile	Blank Static	U 120V-277V 347 347V²	C388 3-Wire Flex C488 4-Wire Flex C588 5-Wire Flex EL Emergency Battery Pack GLR Fast Blow Fuse GMF Slow Blow Fuse NYC NYC Compliant NYCU NYC Compliant, Union Label WIH wiHUBB Enabled ⁵			
SIZE	LAMP TYPE	BALLAST			LAMPS				
14 1' x 4'	28 4', T5: 28 Watt 32 4', T8: 32, 30, 28, or 25 Watt 54 4', T5HO: 54 or 51 Watt	E Electronic T8, 0.88 Ballast Factor, Instant Start ED Electronic T8, T5, T5HO Dimming, Programmed Start ² ESD Electronic T8, 0.88 Ballast Factor, Step Dimming, Programmed Start ¹ ELW Electronic T8, 0.77 Ballast Factor, Low Wattage, Instant Start EHL Electronic T8, 1.18 Ballast Factor, High Wattage, Instant Start E104 Electronic T8, 1.04 Ballast Factor, Instant Start ⁴ (N/A 1-Lamp) ESD104 Electronic T8, 1.04 Ballast Factor, Step Dimming, Programmed Start ^{1,4} EP104 Electronic T8, 1.04 Ballast Factor Programmed Start ⁴ EP Electronic T5, T5HO, 1.0 Ballast Factor or T8, 0.88 Ballast Factor, Programmed Start EP95 Electronic T5, 0.95 Ballast Factor, Programmed Start (N/A T5HO, 1-Lamp) ESD95 Electronic T5, 0.95 Ballast Factor, Step Dimming, Programmed Start (N/A T5HO, 1-Lamp) EP115 Electronic T5, 1.15 Ballast Factor, Programmed Start (N/A T5HO, 1-Lamp) ESD115 Electronic T5, 1.15 Ballast Factor, Step Dimming, Programmed Start (N/A T5HO, 1-Lamp) ESD80 Electronic T5HO, 0.80 Ballast Factor, Step Dimming, Programmed Start (2-Lamp 54W only)	F0730 30K 75CRI T8 Lamps Installed F0735 35K 75CRI T8 Lamps Installed F0741 41K 75CRI T8 Lamps Installed F0830 30K 82CRI T8 Lamps Installed F0835 35K 82CRI T8 Lamps Installed F0841 41K 82CRI T8 Lamps Installed PLUS30 30K 82CRI 28W T8 Lamps Installed ³ PLUS35 35K 82CRI 28W T8 Lamps Installed ³ PLUS41 41K 82CRI 28W T8 Lamps Installed ³ FOH830 30K High Lumen T8 Lamps Installed FOH835 35K High Lumen T8 Lamps Installed FOH841 41K High Lumen T8 Lamps Installed F5830 30K 85CRI T5 or T5HO Lamps Installed F5835 35K 85CRI T5 or T5HO Lamps Installed F5841 41K 85CRI T5 or T5HO Lamps Installed F5H830 30K High Lumen T5 Lamps Installed F5H835 35K High Lumen T5 Lamps Installed F5H841 41K High Lumen T5 Lamps Installed						

Damp Label - standard
¹ Not compatible with T8 25, 28, or 30 watt energy savings lamps.
² Where available.
³ Not recommended for use with step or full dimming.
⁴ For e-poc Plus, order "-PlusXX" lamps under "Options."
⁵ Not available with Surface Mount Ceiling Types
Protected by US Patents D593,246; D617,487. Additional US and Canada Patents Pending. Specifications subject to change without notice.

ACCESSORIES (ORDER SEPARATELY)
FK14 1' x 4' Single Flange Kit
FKCR Flange Kit Row Adaptor

PHOTOMETRIC DATA

Test 15282 Test Date 12/17/08

LUMINAIRE DATA

Luminaire	EPC14-132G-DL e-poc™ Troffer Recessed 1-Lamp with Opal Delta Lens
Ballast	ICN-1P32-SC
Ballast Factor	0.90
Lamp	F28T8
Lumens per Lamp	2750
Watts	26
Mounting	Recessed
Shielding Angle	0° = 90 90° = 90
Spacing Criterion	0° = 1.28 90° = 1.30
Luminous Opening in Feet	Length: 3.83 Width: 0.85 Height: 0.00

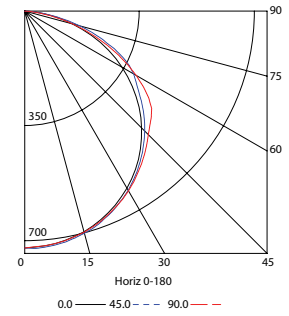
AVG. LUMINANCE (Candela/Sq. M.)

	0.0	22.5	45.0	67.5	90.0
0	2271	2271	2271	2271	2271
30	2264	2275	2291	2291	2298
40	2253	2266	2296	2322	2335
45	2240	2258	2301	2352	2371
50	2227	2248	2310	2402	2464
55	2196	2231	2323	2519	2531
60	2156	2215	2414	2500	2473
65	2097	2191	2441	2386	2339
70	1991	2165	2330	2194	2127
75	1827	2210	2121	1942	1852
80	1580	2018	1790	1561	1447
85	1214	1555	1138	835	759

COEFFICIENTS OF UTILIZATION (%)

RCR	80				70				50				0			
	RC	RW	70	50	30	10	70	50	30	10	50	30	10	0	0	
1	84	80	77	74	82	79	76	73	75	73	70	65	65	65	65	
2	76	70	64	60	74	68	63	59	65	61	57	53	53	53	53	
3	69	61	54	49	67	60	54	49	57	52	48	44	44	44	44	
4	63	54	47	41	61	53	46	41	51	45	40	38	38	38	38	
5	58	48	41	35	56	47	40	35	45	39	35	32	32	32	32	
6	54	43	36	31	52	42	35	30	41	35	30	28	28	28	28	
7	50	39	32	27	48	38	32	27	37	31	27	25	25	25	25	
8	46	35	29	24	45	35	28	24	34	28	24	22	22	22	22	
9	43	32	26	21	42	32	26	21	31	25	21	20	20	20	20	
10	40	30	24	19	39	29	23	19	29	23	19	18	18	18	18	

INDOOR CANDELA PLOT



RCR = Room Cavity Ratio
RC = Effective Ceiling Cavity Reflectance RW = Wall Reflectance

ENERGY DATA

Total Luminaire Efficiency	77.8%
Luminaire Efficacy Rating (LER)	74
IESNA RP-1-2004 Compliance	Noncompliant
Comparative Yearly Lighting Energy Cost per 1000 Lumens	\$3.24 based on 3000 hrs. and \$0.08 per KWH

ZONAL LUMEN SUMMARY

Zone	Lumens	% Lamp	% Fixt.
0-30	542	19.7	25.3
0-40	897	32.6	41.9
0-60	1642	59.7	76.7
0-90	2140	77.8	100.0
0-180	2140	77.8	100.0

LUMINAIRE DATA

Luminaire	EPC14-128G e-poc™ Troffer Recessed 1-Lamp with Opal Delta Lens
Ballast	B228PUNV-C
Ballast Factor	1.00
Lamp	F28T5
Lumens per Lamp	2600
Watts	34
Mounting	Recessed
Shielding Angle	0° = 90 90° = 90
Spacing Criterion	0° = 1.28 90° = 1.30
Luminous Opening in Feet	Length: 3.83 Width: 0.85 Height: 0.00

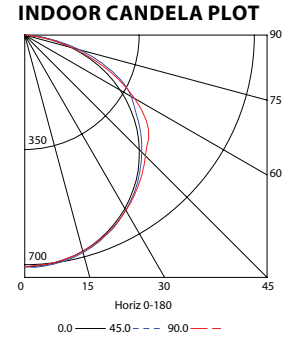
AVG. LUMINANCE (Candela/Sq. M.)

	0.0	22.5	45.0	67.5	90.0
0	2222	2222	2222	2222	2222
30	2218	2226	2237	2241	2241
40	2210	2219	2240	2270	2283
45	2198	2212	2244	2296	2315
50	2186	2202	2258	2346	2412
55	2156	2185	2271	2461	2479
60	2116	2162	2361	2460	2434
65	2058	2144	2402	2371	2324
70	1953	2117	2320	2204	2127
75	1789	2172	2121	1929	1840
80	1523	2018	1790	1542	1447
85	1176	1555	1100	797	759

COEFFICIENTS OF UTILIZATION (%)

RCR	80				70				50				0			
	RC	RW	70	50	30	10	70	50	30	10	50	30	10	0	0	
1	87	83	80	77	85	82	78	75	78	75	73	67	67	67	67	
2	79	72	67	62	77	71	65	61	68	63	60	55	55	55	55	
3	72	63	56	51	70	62	55	50	59	54	49	46	46	46	46	
4	66	56	48	43	64	55	48	42	52	47	42	39	39	39	39	
5	60	50	42	37	58	49	42	36	47	41	36	33	33	33	33	
6	55	44	37	32	54	44	37	32	42	36	31	29	29	29	29	
7	51	40	33	28	50	40	33	28	38	32	28	25	25	25	25	
8	48	37	30	25	46	36	29	25	35	29	24	23	23	23	23	
9	45	34	27	22	43	33	27	22	32	26	22	20	20	20	20	
10	42	31	24	20	41	30	24	20	30	24	20	18	18	18	18	

INDOOR CANDELA PLOT



RCR = Room Cavity Ratio
RC = Effective Ceiling Cavity Reflectance RW = Wall Reflectance

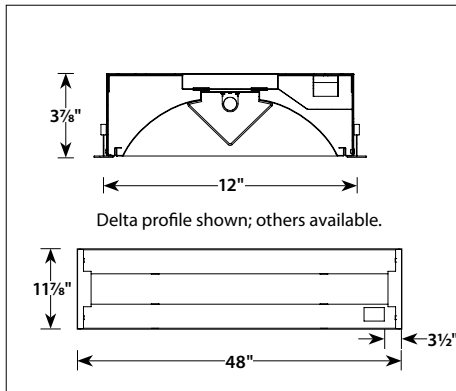
ENERGY DATA

Total Luminaire Efficiency	80.7%
Luminaire Efficacy Rating (LER)	0
IESNA RP-1-2004 Compliance	Noncompliant
Comparative Yearly Lighting Energy Cost per 1000 Lumens	\$3.87 based on 3000 hrs. and \$0.08 per KWH

ZONAL LUMEN SUMMARY

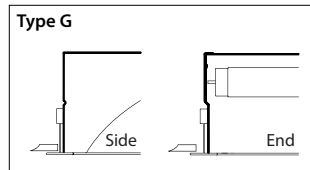
Zone	Lumens	% Lamp	% Fixt.
0-30	530	20.4	25.3
0-40	877	33.7	41.8
0-60	1607	61.8	76.6
0-90	2098	80.7	100.0
0-180	2098	80.7	100.0

DIMENSIONAL DATA

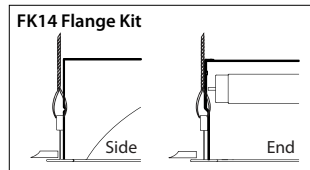


NOTE: All dimensions are in inches; dimensions and specifications are subject to change without notice. Please consult factory or check sample for verification.

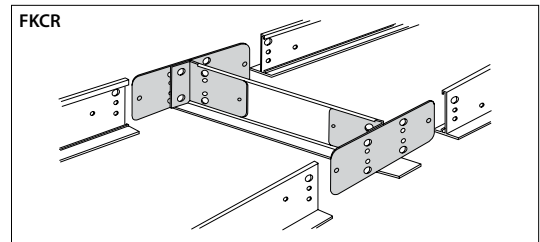
CEILING COMPATIBILITY



For lay-in installation in exposed grid ceilings. Maximum tee widths of 1" and maximum tee heights of 2" allowed.



For hard ceiling applications, order FK14 flange kit. Flange kit wires directly into concealed ceiling opening for a clean, finished appearance.



For flanged fixtures in row configurations, the FKCR adapter bracket kit is required in addition to the FK14 kit. Order one less FKCR than the total number of fixtures in row. (Example: Row of two, order (2) FK14 & (1) FKCR)

Row cut out dimensions using FK14s & FKCR adapters:
Width 12 3/8", Length [48" x (# in row)] + 3/8".
Example: (48" x 2) + 3/8" = 96 3/8"

Flange kit cut out dimension for single unit only: 12 3/8" x 48 3/8"