

FEATURES

- Full distribution optics from a louvered fixture
- Euro style ribbed louver with architectural styling
- T8 optimized to use standard T8 lamp technology, tuned ballast reduces power usage
- Intersect Plus uses 28W T8 technology and reduces power usage to 55 watts
- Typically qualifies for EPAct tax deduction
- Integral hinges and latches on louver provide a clean finish
- Mechanical light seal
- Rolled fixture edges for safe handling during fixture handling and installation
- Corner hinging for easy insertion and removal of louver from either side
- Housing ends secured by unique corner interlock and screws
- Available with exclusive wiHUBB technology preinstalled
 - Peer to peer, self-healing wireless mesh network
 - Integrated control system for 0-10VDC or step dimming, or On/Off

PROJECT INFORMATION

Project Name _____

Type _____

Catalog No. _____

Date _____

HOUSING

Heavy gauge steel. Die formed for extra rigidity. Grid housings are designed for installation in standard 1⁵/₁₆" T-bar ceilings. Two T-bar clips included with each fixture. Flanged housings for hard ceilings feature overlap flange trim and wing hangers.

BALLASTS

Energy efficient, thermally protected, automatic resetting, Class P, high power factor, sound rated A, magnetic or electronic ballasts. CEE NEMA Premium compliant.

ELECTRICAL

Standard class "P", thermally protected, autoresetting HPF ballast, sound rated A. CEE NEMA Premium compliant. All ballast leads extend a minimum of 6" through access location. NEC/CEC-compliant ballast disconnect is standard.

FINISH

Housing is powder coat paint after fabrication (PAF), 90% reflectance. Reflectors painted after fabrication with high reflectivity white polyester enamel.

LOUVER

Steel frame with aluminum cross blades. Integral hinges and latches. Matte white, painted after fabrication.

CERTIFICATION

All luminaires are built to UL 1598 standards and bear appropriate UL and cUL or CSA labels. Damp location labeling is standard. Emergency-equipped fixtures labeled UL 924.

ORDERING INFORMATION

EXAMPLE EMI24-232G-E104U

EMI		24		-		2		G		-		-	
MODEL		NO. OF LAMPS		LAMP TYPE		CEILING TYPE		BALLAST		VOLTAGE		OPTIONS	
EMI EnergyMax® Intersect ²		2 Two		28 4', T5: 28 Watt 32 4', T8: 32 Watt 54 4', T5HO: 54 Watt		G Grid For hard ceilings use flange kit.		E Electronic T8, 0.88 Ballast Factor, Instant Start ESD Electronic T8, 0.88 Ballast Factor, Step Dimming, Programmed Start ELW Electronic T8, 0.77 Ballast Factor, Low Wattage, Instant Start EHL Electronic T8, 1.18 Ballast Factor, High Wattage, Instant Start E104 Electronic T8, 1.04 Ballast Factor, Instant Start ² (N/A 1-Lamp) ESD104 Electronic T8, 1.04 Ballast Factor, Step Dimming, Programmed Start ^{1,2} EP104 Electronic T8, 1.04 Ballast Factor, Programmed Start ² EP Electronic T5, T5HO, or T8, Programmed Start EP95 Electronic T5, 0.95 Ballast Factor, Programmed Start (N/A T5HO, 1-Lamp) ESD95 Electronic T5, 0.95 Ballast Factor, Step Dimming, Programmed Start (N/A T5HO, 1-Lamp) EP115 Electronic T5, 1.15 Ballast Factor, Programmed Start (N/A T5HO, 1-Lamp) ESD115 Electronic T5, 1.15 Ballast Factor, Step Dimming, Programmed Start (N/A T5HO, 1-Lamp) ESD80 Electronic T5HO, 0.80 Ballast Factor, Step Dimming, Programmed Start (2-Lamp 54W only)		U 120V-277V 347 347V ³		F0830 30K 82CRI T8 Lamps Installed F0835 35K 82CRI T8 Lamps Installed F0841 41K 82CRI T8 Lamps Installed PLUS830 30K 82CRI 28W T8 Lamps Installed ⁵ PLUS835 35K 82CRI 28W T8 Lamps Installed ⁵ PLUS841 41K 82CRI 28W T8 Lamps Installed ⁵ FOH830 30K High Lumen T8 Lamps Installed FOH835 35K High Lumen T8 Lamps Installed FOH841 41K High Lumen T8 Lamps Installed F5830 30K 85CRI T5 or T5HO Lamps Installed F5835 35K 85CRI T5 or T5HO Lamps Installed F5841 41K 85CRI T5 or T5HO Lamps Installed F5H830 30K High Lumen T5 Lamps Installed F5H835 35K High Lumen T5 Lamps Installed F5H841 41K High Lumen T5 Lamps Installed GLR Fast Blow Fuse GMF Slow Blow Fuse EL Emergency Battery Pack ⁴ C388 3-Wire Flex C488 4-Wire Flex NYC NYC Compliant NYCU NYC Compliant, Union Label WIH wiHUBB Enabled ⁶	
ACCESSORIES		FK24 2' x 4' Single Flange Kit FKCR Flange Kit Row Adaptor											
LOUVER CONFIGURATION													
Size	No. of Lamps	Lamp Type	Louver Configurations										
2' x 4'	2	28, 32, 54	2 x 6 (12)										



PHOTOMETRIC DATA

Test 14804 Test Date 11/09/07

LUMINAIRE DATA

Luminaire	EMI4-228G EnergyMax® Intersect Recessed/ Architectural 2' x 4' 2-Lamp with matte white ribbed louver
Ballast	ICN-2528
Ballast Factor	1.03
Lamp	F28T5
Lumens per Lamp	2600
Watts	64
Spacing Criterion	0° = 1.20 90° = 1.40

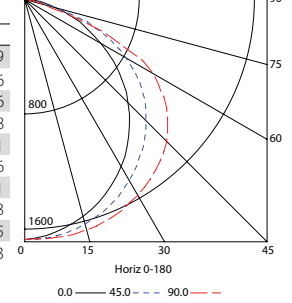
AVG. LUMINANCE (Candela/Sq. M.)

	0.0	22.5	45.0	67.5	90.0
0	2610	2610	2610	2610	2610
30	2418	2499	2624	2759	2835
40	2319	2439	2635	2848	2987
45	2251	2395	2638	2910	3085
50	2169	2337	2642	2948	3153
55	2057	2256	2628	2979	3222
60	1922	2147	2554	2939	3227
65	1770	2003	2411	2711	2766
70	1588	1780	2114	1963	1794
75	1330	1427	1445	980	883
80	1172	1154	1009	811	703
85	1077	1041	880	664	539

COEFFICIENTS OF UTILIZATION (%)

RC	80					70					50					0
	RW	70	50	30	10	70	50	30	10	50	30	10	0	0		
1	102	98	94	91	100	96	93	89	92	89	87	79				
2	93	86	79	74	91	84	78	73	81	76	72	66				
3	85	75	68	62	83	74	67	61	71	65	60	56				
4	78	67	58	52	76	65	58	52	63	56	51	48				
5	71	59	51	45	69	58	50	44	56	49	44	41				
6	66	53	45	39	64	52	44	39	51	44	38	36				
7	61	48	40	34	59	47	40	34	46	39	34	31				
8	57	44	36	30	55	43	36	30	42	35	30	28				
9	53	40	33	27	52	40	32	27	39	32	27	25				
10	50	37	30	25	48	37	29	25	36	29	25	23				

INDOOR CANDELA PLOT



ZONAL LUMEN SUMMARY

Zone	Lumens	% Lamp	% Fixt.
0-30	1315	25.3	27.0
0-40	2179	41.9	44.7
0-60	3960	76.2	81.3
0-90	4873	93.7	100.0
0-180	4873	93.7	100.0

ENERGY DATA

Total Luminaire Efficiency	93.7%
Luminaire Efficacy Rating (LER)	78
IESNA RP-1-2004 Compliance	Non-Compliant
Comparative Yearly Lighting Energy Cost per 1000 Lumens	\$3.08 based on 3000 hrs. and \$0.08 per KWH

LUMINAIRE DATA

Luminaire	EMI24-232G EnergyMax® Intersect Recessed/ Architectural 2' x 4' 2-lamp with 2 x 6 cell matte white ribbed louver
Ballast	B232IUNV104-A
Ballast Factor	1.04
Lamp	F28T8
Lumens per Lamp	2750
Watts	55
Spacing Criterion	0° = 1.20 90° = 1.43

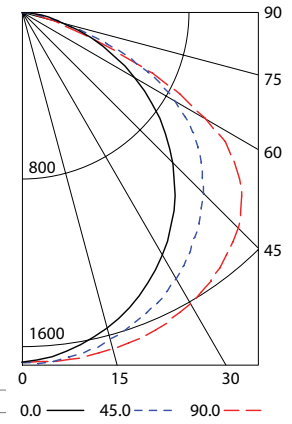
AVG. LUMINANCE (Candela/Sq. M.)

	0.0	22.5	45.0	67.5	90.0
0	2614	2614	2614	2614	2614
30	2420	2496	2640	2799	2886
40	2325	2445	2678	2923	3079
45	2262	2410	2693	3003	3198
50	2186	2364	2702	3068	3297
55	2085	2295	2698	3086	3345
60	1953	2194	2623	2970	3124
65	1800	2048	2440	2459	2500
70	1611	1807	1958	1620	1487
75	1342	1391	1330	986	901
80	1190	1163	1018	811	712
85	1095	1041	898	664	539

COEFFICIENTS OF UTILIZATION (%)

RC	80					70					50					0
	RW	70	50	30	10	70	50	30	10	50	30	10	0	0		
1	97	93	90	86	95	91	88	85	88	85	82	76				
2	89	82	76	71	86	80	74	70	77	72	68	63				
3	81	72	64	59	79	70	64	58	68	62	57	53				
4	74	63	56	50	72	62	55	49	60	54	49	45				
5	68	56	49	43	66	55	48	42	54	47	42	39				
6	63	51	43	37	61	50	42	37	48	42	37	34				
7	58	46	38	33	56	45	38	32	44	37	32	30				
8	54	42	34	29	52	41	34	29	40	33	29	27				
9	50	38	31	26	49	38	31	26	37	30	26	24				
10	47	35	28	23	46	35	28	23	34	28	23	22				

INDOOR CANDELA PLOT



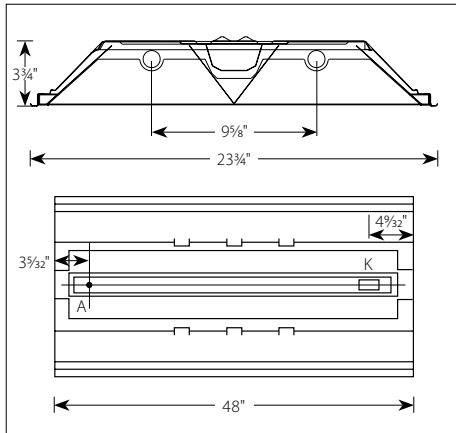
ZONAL LUMEN SUMMARY

Zone	Lumens	% Lamp	% Fixt.
0-30	1317	24.0	26.9
0-40	2191	39.8	44.7
0-60	4014	73.0	81.9
0-90	4899	89.1	100.0
0-180	4899	89.1	100.0

ENERGY DATA

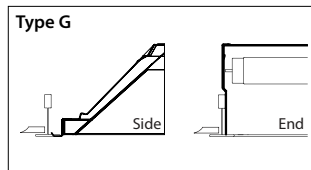
Total Luminaire Efficiency	89.1%
Luminaire Efficacy Rating (LER)	93
IESNA RP-1-2004 Compliance	Non-Compliant
Comparative Yearly Lighting Energy Cost per 1000 Lumens	\$2.58 based on 3000 hrs. and \$0.08 per KWH

DIMENSIONAL DATA

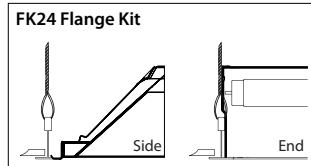


A: 7/8" Diameter knockout
K: 2" x 3" through hole for access plate

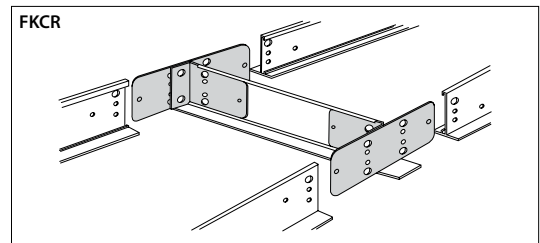
CEILING COMPATIBILITY



For lay-in installation in exposed grid ceilings. Maximum tee widths of 1" and maximum tee heights of 2" allowed.



For hard ceiling applications, order FK24 flange kit. Flange kit wires directly into concealed ceiling opening for a clean, finished appearance.



For flanged fixtures in row configurations, the FKCR adapter bracket kit is required in addition to the FK24 kit. Order one less FKCR than the total number of fixtures in row. (Example: Row of two, order (2) FK24 & (1) FKCR)

Row cut out dimensions using FK22s & FKCR adapters:
Width 24 3/8", Length [48" x (# in row)] + 3/8".
Example: (48" x 2) + 3/8" = 96 3/8"

Flange kit cut out dimension for single unit only: 24" x 48 7/8"

NOTE: All dimensions are in inches; dimensions and specifications are subject to change without notice. Please consult factory or check sample for verification.

Page 2/2 Rev. 11/22/11

RECESSED ARCHITECTURAL / EMI24-2