

FEATURES

- Available in 2', 3', or 4'
- Heavy die formed steel channel
- Snap-on cover. No tools required. No hardware to lose
- Rotary lock lampholders for positive lamp contact
- Channel ends have knockouts for thru wiring or end feed
- Individual or row mounting for coves, coffers, luminous ceilings or under counters

PROJECT INFORMATION

Project Name _____

Type _____

Catalog No. _____

Date _____

CONSTRUCTION

Heavy gauge cold rolled steel housings fully assembled. Channel cover provides room-side access to ballast.

FINISH

White painted parts are treated with a five stage phosphate bonding process and finished after fabrication with a minimum 90% reflective gloss baked enamel.

BALLASTS

Energy efficient, thermally protected, automatic resetting, Class P, high power factor, sound rated A, unless otherwise specified. CEE NEMA Premium compliant.

ELECTRICAL

Standard class "P", thermally protected, auto-resetting HPF ballast, sound rated A. CEE NEMA Premium compliant. All ballast leads extend a minimum of 6" through access location. NEC/CEC-compliant ballast disconnect is standard.

CERTIFICATION

All luminaires are built to UL 1598 standards and bear appropriate UL and cUL or CSA labels. Damp location labeling is standard. Emergency-equipped fixtures labeled UL 924.

ORDERING INFORMATION

EXAMPLE DE4-232-EU-GLR

DE		-		2		-					
MODEL	SIZE	NO. OF LAMPS IN CROSS SECTION		LAMP TYPE		BALLAST		VOLTAGE		OPTIONS	
DE Side Lamp Channel	2 2' 3 3' 4 4'	2 Two		17 2', T8: 17 Watt 25 3', T8: 25 Watt 32 4', T8: 32, 30, 28 or 25 Watt	E Electronic Instant Start (Std.) EP Electronic Programmed Start	U 120V-277V 347 347V		GLR Fast Blow Fuse GMF Slow Blow Fuse EL Emergency Battery Pack PAF Paint After Fabrication			

PHOTOMETRIC DATA

Test 8990 Test Date 1/8/03

LUMINAIRE DATA

Luminaire	DE4-240-LE 24" x 6 5/8" 2-Lamp, Side Lamp Striplight
Ballast	RQM-2540
Ballast Factor	1.00
Lamp	F40CW
Lumens per Lamp	3150
Watts	92
Shielding Angle	N/A
Spacing Criterion	0° = 1.24 90° = 1.47
Luminous Opening in Feet	Length: 4.00 Width: 0.55 Height: 0.00

ZONAL LUMEN SUMMARY

Zone	Lumens	Lamp	Fixt.
0-30	634	10.1	10.7
0-40	1068	17.0	18.0
0-60	1999	31.7	33.7
0-90	2975	47.2	50.2
90-120	963	15.3	16.3
90-130	1418	22.5	23.9
90-150	2320	36.8	39.1
90-180	2952	46.9	49.8
0-180	5927	94.1	100.0

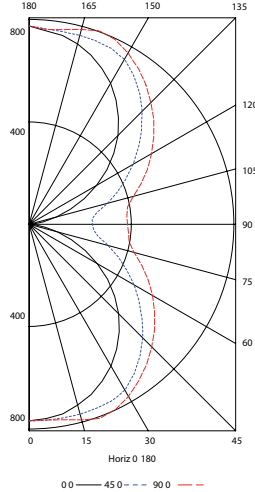
ENERGY DATA

Total Luminaire Efficiency	94.1%
Luminaire Efficacy Rating (LER)	N/A
IESNA RP-1-1993 Compliance	Noncompliant
Comparative Yearly Lighting Energy Cost per 1000 Lumens	\$N/A based on 3000 hrs. and \$0.08 per KWH

COEFFICIENTS OF UTILIZATION (%)

RCR	RC	80			70			50			0		
		RW	70	50	30	10	70	50	30	10	50	30	10
1	90	85	81	77	83	79	75	72	66	63	61	36	
2	82	74	67	62	75	68	62	57	57	53	49	29	
3	74	64	57	51	68	59	53	47	50	45	40	24	
4	67	56	48	42	62	52	45	40	44	38	34	20	
5	62	50	42	36	56	46	39	34	39	33	29	17	
6	57	45	37	31	52	41	34	29	35	29	25	15	
7	52	40	32	27	48	37	30	25	32	26	22	13	
8	48	36	29	24	44	34	27	22	29	23	19	11	
9	45	33	26	21	41	31	24	20	26	21	17	10	
10	42	30	23	19	39	28	22	17	24	19	15	9	

INDOOR CANDELA PLOT



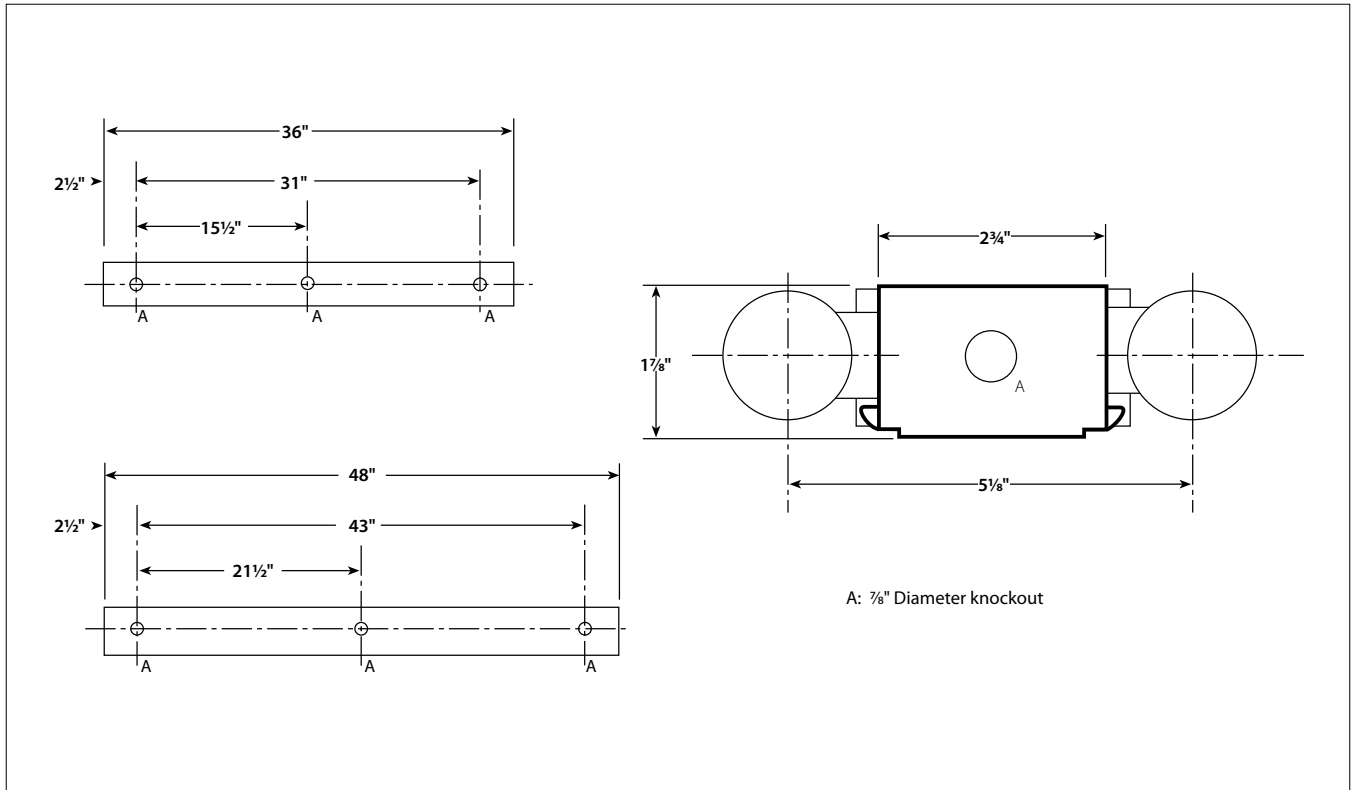
AVG. LUMINANCE (Candela/Sq. M.)

Average Luminance Angle	0.0					22.5					45.0					67.5					90.0				
	0	30	40	45	50	55	60	65	70	75	80	85	0	30	40	45	50	55	60	65	70	75	80	85	
0	3753	3753	3753	3753	3753	3753	3753	3753	3753	3753	3753	3753	3753	3753	3753	3753	3753	3753	3753	3753	3753	3753	3753	3753	
30	3610	3819	4220	4345	4378	3610	3819	4220	4345	4378	3610	3819	4220	4345	4378	3610	3819	4220	4345	4378	3610	3819	4220	4345	
40	3494	3909	4298	4477	4560	3494	3909	4298	4477	4560	3494	3909	4298	4477	4560	3494	3909	4298	4477	4560	3494	3909	4298	4477	
45	3418	3937	4338	4588	4684	3418	3937	4338	4588	4684	3418	3937	4338	4588	4684	3418	3937	4338	4588	4684	3418	3937	4338	4588	
50	3319	3943	4384	4734	4864	3319	3943	4384	4734	4864	3319	3943	4384	4734	4864	3319	3943	4384	4734	4864	3319	3943	4384	4734	
55	3190	3890	4470	4947	5101	3190	3890	4470	4947	5101	3190	3890	4470	4947	5101	3190	3890	4470	4947	5101	3190	3890	4470	4947	
60	3014	3826	4629	5235	5441	3014	3826	4629	5235	5441	3014	3826	4629	5235	5441	3014	3826	4629	5235	5441	3014	3826	4629	5235	
65	2802	3786	4851	5673	5939	2802	3786	4851	5673	5939	2802	3786	4851	5673	5939	2802	3786	4851	5673	5939	2802	3786	4851	5673	
70	2518	3777	5279	6337	6695	2518	3777	5279	6337	6695	2518	3777	5279	6337	6695	2518	3777	5279	6337	6695	2518	3777	5279	6337	
75	2174	3913	6049	7524	8015	2174	3913	6049	7524	8015	2174	3913	6049	7524	8015	2174	3913	6049	7524	8015	2174	3913	6049	7524	
80	1747	4367	7720	10256	11158	1747	4367	7720	10256	11158	1747	4367	7720	10256	11158	1747	4367	7720	10256	11158	1747	4367	7720	10256	
85	1347	6400	14203	19873	21838	1347	6400	14203	19873	21838	1347	6400	14203	19873	21838	1347	6400	14203	19873	21838	1347	6400	14203	19873	

RCR = Room Cavity Ratio

RC = Effective Ceiling Cavity Reflectance RW = Wall Reflectance

DIMENSIONAL DATA



NOTE: All dimensions are in inches; dimensions and specifications are subject to change without notice. Please consult factory or check sample for verification.