

## FEATURES

- Available in 4' and 8' lengths.
- 5% uplight distribution reflectors standard.
- Telescopic spring loaded lampholders.
- 2½" lamp spacing.
- For individual or continuous row mounting.
- Channel ends double as joiners.
- Two 4' reflectors with reflector aligners supplied on 8' fixtures.

## PROJECT INFORMATION

Project Name \_\_\_\_\_

Type \_\_\_\_\_

Catalog No. \_\_\_\_\_

Date \_\_\_\_\_

### HOUSING

Die formed steel with knockouts for stems or chain hangers.

### REFLECTOR

Die embossed with transverse ribs for maximum rigidity. Available with apertures for uplight.

### BALLASTS

Energy efficient, thermally protected, automatic resetting, Class P, high power factor, sound rated A, unless otherwise specified.

### FINISH

White painted parts are treated with a five stage phosphate bonding process and finished after fabrication with a minimum 90% reflective gloss baked enamel.

### CERTIFICATION

All luminaires are built to UL 1598 standards and bear appropriate UL and cUL or CSA labels. Damp location labeling is standard. Emergency-equipped fixtures labeled UL 924.

## ORDERING INFORMATION

## EXAMPLE CSR8-296HO-U-EPU-GLR

CSR	-	-	U	-	EP	-	-
MODEL	SIZE	NO. OF LAMPS IN CROSS SECTION	LAMP TYPE	REFLECTOR TYPE	BALLAST	VOLTAGE	OPTIONS
CSR Industrial	4 4' 8 8'	1 One 2 Two	48HO 4', T12: High Output  96HO 8', T12: High Output  96T8HO 96", T8: High Output	U Apertured Reflector for 5% Uplight (Std.) (Solid Reflector not recommended with HO units)	EP Electronic T12 or T8 Rapid Start  For a specific ballast vendor, show as option.	U 120V-277V  347 347V	GLR Fast Blow Fuse GMF Slow Blow Fuse EL Emergency Battery Pack BC Branch Circuit Plug-on Wiring System (See options section for details.) PAF Paint After Fabrication NYC NYC Compliant NYCU NYC Compliant, Union Label

### ACCESSORIES (ORDER SEPARATELY)

- CSZTF** Zip Tee Hanger - flush mounting on T-Bar ceiling
- CSZT** Zip Tee Hanger - 1½" spacer on tee bar ceiling
- CSTH** Slide Clamp Tong Hanger
- S18** 18" Stem, canopy and 8° aligner
- SS18** 18", 45° Swivel Stem & Canopy
- ITB4** Close Mounting on T-Bar ceiling
- CSHC** 14" Chain Hanging Assembly
- CSRWG4** 4' Wire Guard (two required for 8' fixture)

## PHOTOMETRIC DATA

### LUMINAIRE DATA

Luminaire	CSR8-296HO-U-LE CSR Industrial 96" X 11" Industrial with Baked White Apertured Reflector
Ballast	R-25110-TP
Ballast Factor	0.95
Lamp	F96T12/CW/HO
Lumens per Lamp	9000
Watts	237
Shielding Angle	N/A
Spacing Criterion	0° = 1.27 90° = 1.45
Luminous Opening in Feet	Length: 8.00 Width: 0.92 Height: 0.00

### ZONAL LUMEN SUMMARY

Zone	Lumens	Lamp	Fixt.
0-30	3371	18.7	22.2
0-40	5669	31.5	37.3
0-60	10770	59.8	70.9
0-90	14595	81.1	96.1
90-120	388	2.2	2.6
90-130	507	2.8	3.3
90-150	582	3.2	3.8
90-180	597	3.3	3.9
0-180	15192	84.4	100.0

Test 10124 Test Date 1/8/03

### ENERGY DATA

Total Luminaire Efficiency	84.4%
Luminaire Efficacy Rating (LER)	61
IESNA RP-1-1993 Compliance	Non-Compliant
Comparative Yearly Lighting Energy Cost per 1000 Lumens	\$3.93 based on 3000 hrs. and \$0.08 per KWH

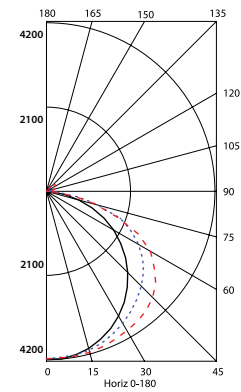
### AVG. LUMINANCE (Candela/Sq. M.)

	0.0	22.5	45.0	67.5	90.0
0	6099	6099	6099	6099	6099
30	6061	6184	6410	6667	6768
40	5972	6182	6693	7203	7388
45	5917	6184	6908	7518	7737
50	5847	6205	7169	7881	8070
55	5755	6260	7471	8129	8340
60	5672	6388	7748	8488	8746
65	5475	6617	8018	8672	8734
70	5183	6833	8373	8157	8009
75	4724	6990	7538	7295	7222
80	3925	6932	6536	6089	5929
85	2635	6142	5135	4246	3641

### COEFFICIENTS OF UTILIZATION (%)

RCR	RC	80				70				50				0
		RW	70	50	30	10	70	50	30	10	50	30	10	0
1	90	86	82	78	88	84	80	77	79	77	74	66		
2	81	74	68	63	79	72	66	62	68	64	60	54		
3	74	64	57	51	71	63	56	50	60	54	49	45		
4	67	56	49	43	65	55	48	42	53	46	41	37		
5	61	50	42	36	59	49	41	36	47	40	35	32		
6	57	45	37	31	55	44	36	31	42	35	30	28		
7	52	40	33	27	51	40	32	27	38	31	27	24		
8	49	37	29	24	47	36	29	24	35	28	24	21		
9	45	34	26	22	44	33	26	21	32	26	21	19		
10	42	31	24	19	41	30	24	19	29	23	19	17		

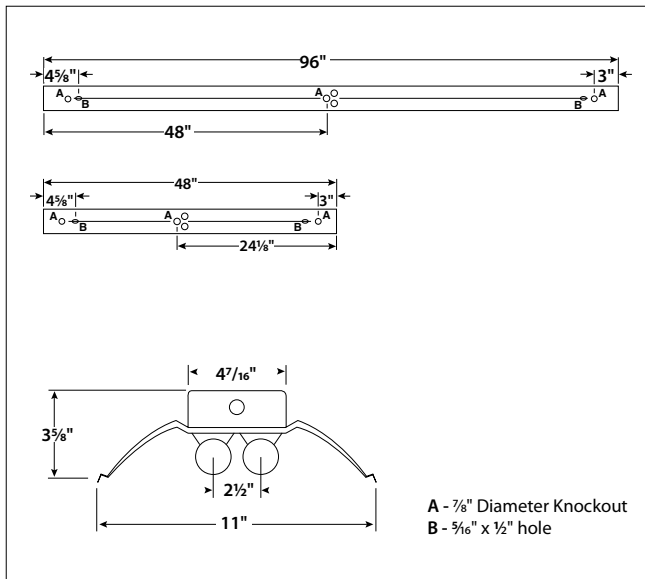
### INDOOR CANDELA PLOT



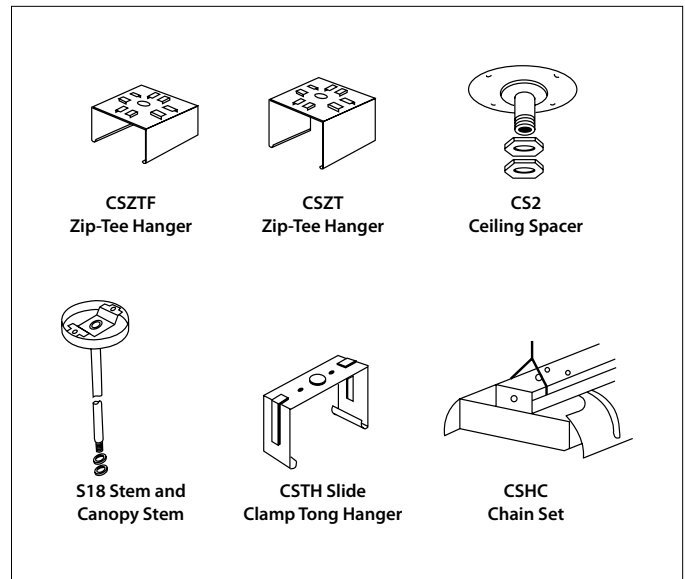
RCR = Room Cavity Ratio

RC = Effective Ceiling Cavity Reflectance RW = Wall Reflectance

### DIMENSIONAL DATA



### MOUNTING ACCESSORIES



**NOTE:** All dimensions are in inches; dimensions and specifications are subject to change without notice. Please consult factory or check sample for verification.