

**FEATURES**

- Unique design provides wide distribution, far superior to standard or staggered striplights
- Notched reflector eliminates socket shadows
- Maximum efficiency
- Shallow 37/16" housing profile
- One or two T8 or T5/T5HO lamp cross sections
- One 40W or 50W twin tube lamp cross section
- Modular lengths simplify installation
- Quick disconnect plugs make row wiring easy
- Hinged reflector allows quick access to wireway
- Built-in aligner tabs connect fixture housings quickly, without extra parts

**PROJECT INFORMATION**

Project Name \_\_\_\_\_

Type \_\_\_\_\_

Catalog No. \_\_\_\_\_

Date \_\_\_\_\_

**CONSTRUCTION**

The COV Covelight is constructed of die-formed, cold rolled, code gauge steel to provide the smallest profile steel covelight in the industry. Its nominal 7¼" × 27/8" size and choice of three lamp cross sections allows flexibility while providing excellent optics. The precisely formed reflector places maximum candela at low angles for uniform ceiling and wall illumination, and eliminates socket shadows on the wall. The snap-in reflector system permits easy ballast access without tools.

**ELECTRICAL**

Standard class "P," thermally protected, auto-resetting HPF ballast, sound rated A. All ballast leads extend a minimum of 6" through access location. NEC/CEC-compliant ballast disconnect is standard.

**CERTIFICATION**

All luminaires are built to UL 1598 standards and bear appropriate UL and cUL or CSA labels. Damp location labeling is standard. Emergency-equipped fixtures labeled UL 924.

**FINISH**

Reflector finish is standard high reflectance white polyester powder coat. All painted parts are treated with a five-stage phosphate bonding process and finished with a high temperature baked white enamel.

**INSTALLATION**

The COV is designed for lay-in installation in architectural coves. Bend over tabs allow a quick and simple method to secure fixtures in rows. Holes are furnished in housing bottom for optional screw attachment where fixture must be secured to structure.

**ORDERING INFORMATION**

**EXAMPLE COV4-232-EU**

COV		-		-		-		
MODEL	SIZE	NO. OF LAMPS IN CROSS SECTION	LAMP TYPE	BALLAST	VOLTAGE	OPTIONS		
COV Covelight	2 2' 3 3' 4 4' 6 6' 8 8'	1 One 2 Two (N/A with TT lamps)	14 2', T5: 14 Watt 21 3', T5: 21 Watt 28 4', T5: 28 Watt 24 2', T5HO: 24 Watt 39 3', T5HO: 39 Watt 54 4', T5HO: 54 Watt 17 2', T8: 17 Watt 25 3', T8: 25 Watt 32 4', T8: 32, 30, 28 or 25 Watt 40TT Twin Tube Compact, 2G11 Base: 40 Watt 50TT Twin Tube Compact, 2G11 Base: 50 Watt	E Electronic T8, Instant Start 3E 3-Lamp Electronic T8, Instant Start* 4E 4-Lamp Electronic T8, Instant Start** ED Electronic Dimming T8 and T5 EP Electronic T5, Programmed Start (Std. T5/T5HO, optional T8) ETT Electronic Twin Tube, Instant Start (Specify voltage)	U 120V-277V 347 347V	MS Master/Satellite (2 fixtures, 1 ballast) SMS Satellite/Master/Satellite (3 fixtures, 1 ballast) SMSS Satellite/Master Satellite/Satellite (4 fixtures, 1 ballast) GLR Fast Blow Fuse GMF Slow Blow Fuse EL Emergency Battery Pack NYC NYC Compliant NYCU NYC Compliant, Union Label		
				* For use with SMS option on 1-lamp units. ** For use with SMSS option on 1-lamp units or MS option on 2-lamp units.				

## PHOTOMETRIC DATA

Test 11700 Test Date 1/08/03

### LUMINAIRE DATA

Luminaire	COV4-232-EB8 COV Architectural Surface Mounted 7" x 48" 2-Lamp with White Reflector
Ballast	B2321120RH
Ballast Factor	0.88
Lamp	F32T8
Lumens per Lamp	2900
Watts	53
Shielding Angle	N/A
Spacing Criterion	N/A
Luminous Opening in Feet	Length: 4.00 Width: 0.42 Height: 0.00

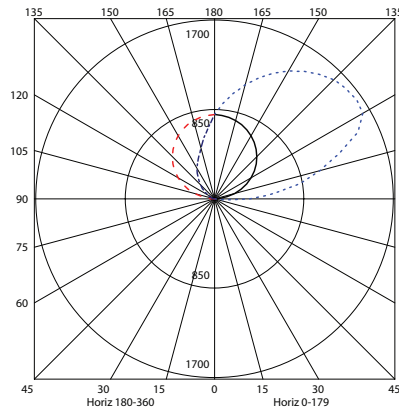
### ZONAL LUMEN SUMMARY

Zone	Lumens	% Lamp	% Fixt.
0-30	0	0.0	0.0
0-40	0	0.0	0.0
0-60	0	0.0	0.0
0-90	39	0.7	1.1
90-120	1269	21.9	34.6
90-130	1895	32.7	51.7
90-150	2959	51.0	80.8
90-180	3625	62.5	98.9
0-180	3664	63.2	100.0

### ENERGY DATA

Total Luminaire Efficiency	63.2%
Luminaire Efficacy Rating (LER)	61
Comparative Yearly Lighting Energy Cost per 1000 Lumens	\$3.93 based on 3000 hrs. and \$0.08 per KWH

### INDOOR CANDELA PLOT



### AVG. LUMINANCE (Candela/Sq. M.)

Average Luminance Angle	0.0	45.0	90.0	135.0	180.0
0	0	0	0	0	0
30	0	0	0	0	0
40	0	0	0	0	0
45	0	0	0	0	0
50	0	0	0	0	0
55	0	0	0	0	0
60	0	0	0	0	0
65	0	0	0	0	0
70	0	0	0	0	0
75	0	0	0	0	0
80	37	74	74	74	37
85	221	2279	6763	2279	221

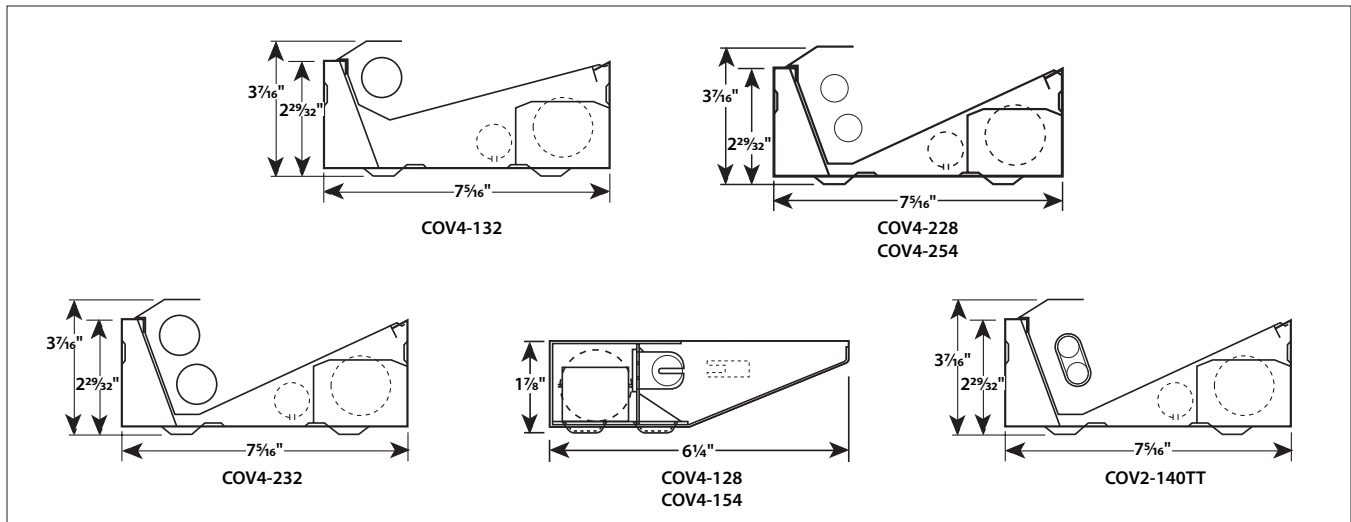
### COEFFICIENTS OF UTILIZATION (%)

RCR	RC	80				70				50				0
		RW	70	50	30	10	70	50	30	10	50	30	10	
1	55	52	50	48	47	45	43	41	31	29	28	28	0	
2	50	45	42	39	42	39	36	33	27	25	23	0		
3	45	40	35	32	39	34	31	28	23	21	20	0		
4	41	35	30	27	35	30	26	23	21	18	16	0		
5	38	31	26	23	32	27	23	20	18	16	14	0		
6	35	28	23	19	29	24	20	17	16	14	12	0		
7	32	25	20	17	27	21	17	15	15	12	10	0		
8	29	22	18	15	25	19	15	13	13	11	9	0		
9	27	20	16	13	23	17	14	11	12	10	8	0		
10	25	18	14	11	21	16	12	10	11	9	7	0		

RCR = Room Cavity Ratio

RC = Effective Ceiling Cavity Reflectance RW = Wall Reflectance

### DIMENSIONAL DATA



**NOTE:** All dimensions are in inches; dimensions and specifications are subject to change without notice. Please consult factory or check sample for verification.