

FEATURES

- Unique aesthetic combines dedicated louvers with seamless perforated face
- Excellent glare control for spaces where computers are in use; RP-1 compliant
- 2½" deep, ultra-shallow housing frees up plenum space, fits into tight areas, and is easy to handle and install.
- Precise batwing distribution is ideal for 8' x 8' or 8' x 10' spacings
- Wall wash (1WW) option lights walls to improve contrast ratios and eliminate "cave effect"
- Double wall wash (2WW) option for corridors, small offices, or conference rooms
- T5 or T5HO technology offers an exceptional lumen package
- Dedicated louvers create an optical envelope to provide maximum contribution from each lamp

PROJECT INFORMATION

Project Name _____

Type _____

Catalog No. _____

Date _____

CONSTRUCTION

Luminaire face plate, housing and end caps are die formed code gauge cold rolled steel. Anodized aluminum louvers provide excellent glare control. Louvers snap securely into position without tools. Louver safety tethers secure louvers for easy maintenance.

CEILING COMPATIBILITY

Luminaire is available to fit most standard ceiling types. NEC-compliant T-bar clips supplied with all grid trim fixtures. See ceiling details on reverse. For hard ceilings order G trim and FK flange accessory. Contact your Columbia representative for compatibility information for specific ceiling types.

FINISH

Painted parts are treated with a five stage phosphate bonding process and finished with a high reflectance baked white enamel.

SURFACE OR PENDANT MOUNT

Companion surface/pendant mount units match performance and aesthetics of recessed models.

INSTALLATION

An access plate is furnished with each luminaire for fast wiring access from the plenum. No need to open fixture. Product ships standard with mylar dust cover to eliminate job site contamination

CERTIFICATION

All luminaires are built to UL 1598 standards and bear appropriate UL and cUL or CSA labels. Damp location labeling is standard. Emergency-equipped fixtures labeled UL 924.

ELECTRICAL

Standard class "P", thermally protected, auto-resetting HPF ballast, sound rated A. All ballast leads extend a minimum of 6" through access location. NEC/CEC-compliant ballast disconnect is standard.

ORDERING INFORMATION

EXAMPLE BR24-328G-MAMPO-EPU-C388

BR	24	-	3	-	-	-				
MODEL BR Brio® T5 Low Glare	NO. OF LAMPS 3 Three	CEILING TYPE G Grid SG Slot Grid SM Surface Mount	PERFORATED FACE MPO Metal Perf w/Overlay ST Solid (No Perf)	VOLTAGE U 120V-277V 347 347V	OPTIONS F5830 30K 85CRI T5 or T5HO Lamps Installed F5835 35K 85CRI T5 or T5HO Lamps Installed F5841 41K 85CRI T5 or T5HO Lamps Installed 1WW Asymmetric Wall Wash 2WW Double Wall Wash C388 3-Wire Flex C488 4-Wire Flex EL Emergency Battery Pack GLR Fast Blow Fuse GMF Slow Blow Fuse PAF Paint After Fabrication NYC NYC Compliant NYCU NYC Compliant, Union Label	SIZE 24 2' x 4'	LAMP TYPE 28 4', T5: 28 Watt 54 4', T5HO: 54 or 51 Watt	LOUVER FINISH LS Low Iridescent Specular MA Matte Anodized Low Iridescent Semi-Specular Aluminum M4R 95% Reflective Specular Aluminum MW Matte White	BALLAST EP Electronic, Programmed Start 3EP 3-Lamp Electronic, Programmed Start	ACCESSORIES (ORDER SEPARATELY) FK24 2' x 4' Single Flange Kit

PHOTOMETRIC DATA

Test 12838 Test Date 6/10/03

LUMINAIRE DATA

Luminaire	BR24-354G-LSMPO-EPU-PAF BRIO Parabolic 2' x 4' 3-Lamp with (3) 24 Cell Specular Louvers
Ballast	QT1X54/QT2X54
Ballast Factor	1.00
Lamp	F54T5
Lumens per Lamp	4400
Watts	178
Shielding Angle	N/A
Spacing Criterion	0° = 1.20 90° = 1.36
Luminous Opening in Feet	Length: 3.82 Width: 1.50 Height: 0.00

ZONAL LUMEN SUMMARY

Zone	Lumens	% Lamp	% Fixt.
0-30	3990	30.2	44.9
0-40	6494	49.2	73.1
0-60	8811	66.7	99.1
0-90	8888	67.3	100.0
0-180	8888	67.3	100.0

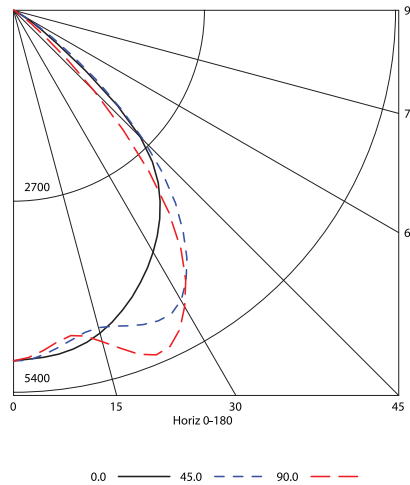
ENERGY DATA

Total Luminaire Efficiency	67.3%
Luminaire Efficacy Rating (LER)	50
IESNA RP-1-1993 Compliance	Yes - Maximum
Comparative Yearly Lighting Energy Cost per 1000 Lumens	\$4.80 based on 3000 hrs. and \$0.08 per KWH

COEFFICIENTS OF UTILIZATION (%)

RCR	RC	80				70				50				0
		70	50	30	10	70	50	30	10	50	30	10	0	
1	76	73	72	70	74	72	70	69	69	68	67	61		
2	71	67	64	61	69	66	63	60	64	61	59	55		
3	66	61	57	54	65	60	56	53	58	55	52	50		
4	62	56	51	48	61	55	51	48	53	50	47	45		
5	58	51	46	43	57	50	46	43	49	45	42	40		
6	54	47	42	38	53	46	42	38	45	41	38	36		
7	51	43	38	35	50	43	38	35	42	37	34	33		
8	47	40	35	32	46	39	35	31	38	34	31	30		
9	45	37	32	29	44	36	32	29	36	32	29	27		
10	42	34	29	26	41	34	29	26	33	29	26	25		

INDOOR CANDELA PLOT



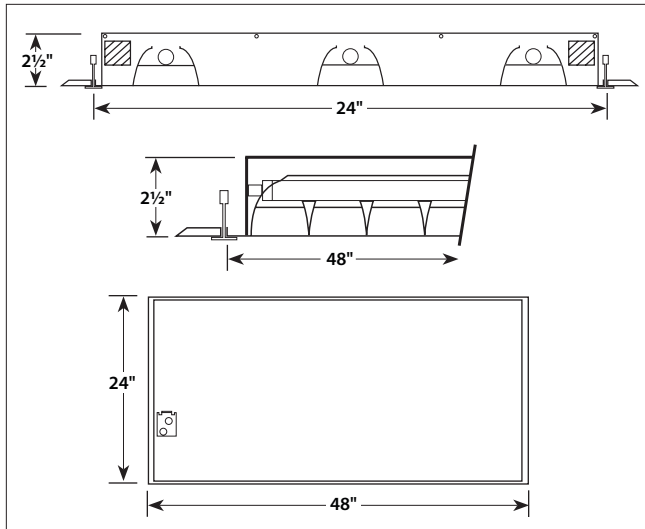
AVG. LUMINANCE (Candela/Sq. M.)

Average Luminance Angle	0.0	22.5	45.0	67.5	90.0
0	9306	9306	9306	9306	9306
30	8553	8900	10266	10642	10486
40	7801	8438	8735	7972	7313
45	6732	7465	6934	5265	4275
50	3884	5325	4442	2583	1800
55	1631	2279	2145	989	560
60	410	830	710	376	222
65	173	173	244	236	164
70	137	126	137	137	126
75	102	102	102	102	102
80	76	76	76	76	54
85	43	43	43	43	43

RCR = Room Cavity Ratio

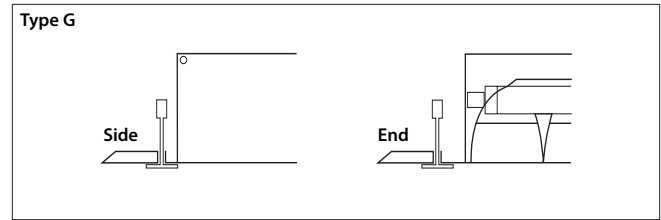
RC = Effective Ceiling Cavity Reflectance RW = Wall Reflectance

DIMENSIONAL DATA

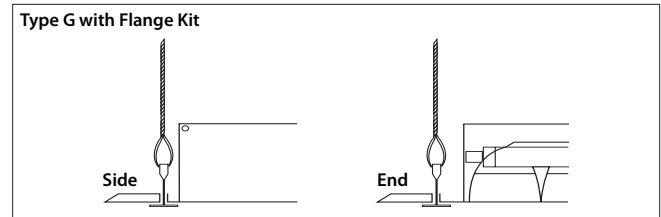


NOTE: All dimensions are in inches; dimensions and specifications are subject to change without notice. Please consult factory or check sample for verification.

CEILING COMPATIBILITY



For lay-in installation in exposed grid ceilings. Maximum tee widths of 1" and maximum tee heights of 2" allowed.



For fixtures in row configurations, the FKCR adapter bracket kit is required in addition to the FK24 kit. Order one less FKCR than the total number of fixtures in row. (Example: Row of two, order (2) FK24 & (1) FKCR)

Flange kit rough in dimensions for single unit only: 24 3/8" x 48 3/8"