

FEATURES

- Unique aesthetic combines dedicated louvers with seamless perforated face
- Excellent glare control for spaces where computers are in use; RP-1 compliant
- 2½" deep, ultra-shallow housing frees up plenum space, fits into tight areas, and is easy to handle and install.
- Precise batwing distribution is ideal for 8' x 8' or 8' x 10' spacings
- Wall wash (1WW) option lights walls to improve contrast ratios and eliminate "cave effect"
- Double wall wash (2WW) option for corridors, small offices, or conference rooms
- T5 or T5HO technology offers an exceptional lumen package
- Dedicated louvers create an optical envelope to provide maximum contribution from each lamp

PROJECT INFORMATION

Project Name _____

Type _____

Catalog No. _____

Date _____

CONSTRUCTION

Luminaire face plate, housing and end caps are die formed code gauge cold rolled steel. Anodized aluminum louvers provide excellent glare control. Louvers snap securely into position without tools. Louver safety tethers secure louvers for easy maintenance.

FINISH

Painted parts are treated with a five stage phosphate bonding process and finished with a high reflectance baked white enamel.

INSTALLATION

An access plate is furnished with each luminaire for fast wiring access from the plenum. No need to open fixture. Product ships standard with mylar dust cover to eliminate job site contamination.

ELECTRICAL

Standard class "P", thermally protected, auto-resetting HPF ballast, sound rated A. All ballast leads extend a minimum of 6" through access location. NEC/CEC-compliant ballast disconnect is standard.

CEILING COMPATIBILITY

Luminaire is available to fit most standard ceiling types. NEC-compliant T-bar clips supplied with all grid trim fixtures. See ceiling details on reverse. For hard ceilings order G trim and FK flange accessory. Contact your Columbia representative for compatibility information for specific ceiling types.

SURFACE OR PENDANT MOUNT

Companion surface/pendant mount units match performance and aesthetics of recessed models.

CERTIFICATION

All luminaires are built to UL 1598 standards and bear appropriate UL and cUL or CSA labels. Damp location labeling is standard. Emergency-equipped fixtures labeled UL 924.

ORDERING INFORMATION

EXAMPLE BR22-324G-MAMPO-EPU

BR	22	-	3	-	-	-				
MODEL BR Brio® T5 Low Glare	NO. OF LAMPS 3 Three	CEILING TYPE G Grid SG Slot Grid SM Surface Mount	FACE STYLE MPO Metal Perf w/Overlay ST Solid (No Perf)	VOLTAGE U 120V-277V 347 347V	OPTIONS F5830 30K 85CRI T5 or T5HO Lamps Installed F5835 35K 85CRI T5 or T5HO Lamps Installed F5841 41K 85CRI T5 or T5HO Lamps Installed 1WW Asymmetric Wall Wash 2WW Double Wall Wash C388 3-Wire Flex C488 4-Wire Flex EL5 Emergency Battery Pack GLR Fast Blow Fuse GMF Slow Blow Fuse PAF Paint After Fabrication NYC NYC Compliant NYCU NYC Compliant, Union Label	SIZE 22 2' x 2'	LAMP TYPE 14 2', T5: 14 Watt 24 2', T5HO: 24 Watt	LOUVER FINISH LS Low Iridescent Specular MA Matte Anodized Low Iridescent Semi-Specular Aluminum M4R 95% Reflective Specular Aluminum MW Matte White	BALLAST EP Electronic, Programmed Start 3EP 3-Lamp Electronic, Programmed Start	ACCESSORIES (ORDER SEPARATELY) FK22 2' x 2' Single Flange Kit FKCR Flange Kit Row Adapter

PHOTOMETRIC DATA

Test 12813 Test Date 6/10/03

LUMINAIRE DATA

Luminaire	BR22-324G-LSMPO-EPU-PAF BRIO Parabolic 2' x 2' 3-Lamp with (3) 12 Cell Specular Louvers
Ballast	QT2X24/QT1X24
Ballast Factor	1.00
Lamp	F24T5
Lumens per Lamp	1800
Watts	82
Shielding Angle	N/A
Spacing Criterion	0° = 1.18 90° = 1.45
Luminous Opening in Feet	Length: 1.84 Width: 1.50 Height: 0.00

ZONAL LUMEN SUMMARY

Zone	Lumens	% Lamp	% Fixt.
0-30	1554	28.8	42.7
0-40	2597	48.1	71.3
0-60	3622	67.1	99.4
0-90	3643	67.5	100.0
0-180	3643	67.5	100.0

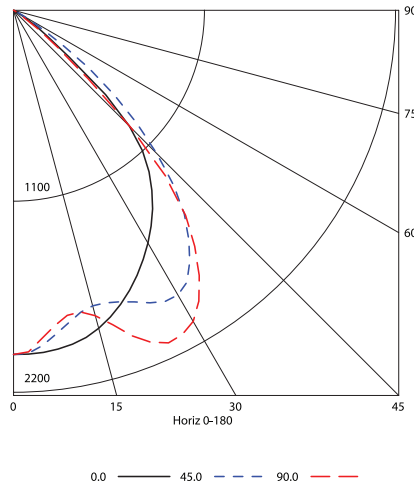
ENERGY DATA

Total Luminaire Efficiency	67.5%
Luminaire Efficacy Rating (LER)	44
IESNA RP-1-1993 Compliance	Yes - Maximum
Comparative Yearly Lighting Energy Cost per 1000 Lumens	\$5.45 based on 3000 hrs. and \$0.08 per KWH

COEFFICIENTS OF UTILIZATION (%)

RCR	RC	80			70			50			0		
		RW	70	50	30	10	70	50	30	10	50	30	10
1	76	74	72	70	74	72	70	69	69	68	67	61	0
2	71	67	64	61	69	66	63	60	64	61	59	55	0
3	66	61	57	54	65	60	56	53	58	55	52	49	0
4	62	56	51	48	60	55	51	47	53	50	47	44	0
5	58	51	46	42	56	50	46	42	49	45	42	40	0
6	54	46	42	38	53	46	41	38	45	41	38	36	0
7	50	43	38	34	49	42	37	34	41	37	34	32	0
8	47	39	34	31	46	39	34	31	38	34	31	29	0
9	44	36	31	28	43	36	31	28	35	31	28	27	0
10	42	34	29	26	41	33	29	26	33	29	26	24	0

INDOOR CANDELA PLOT



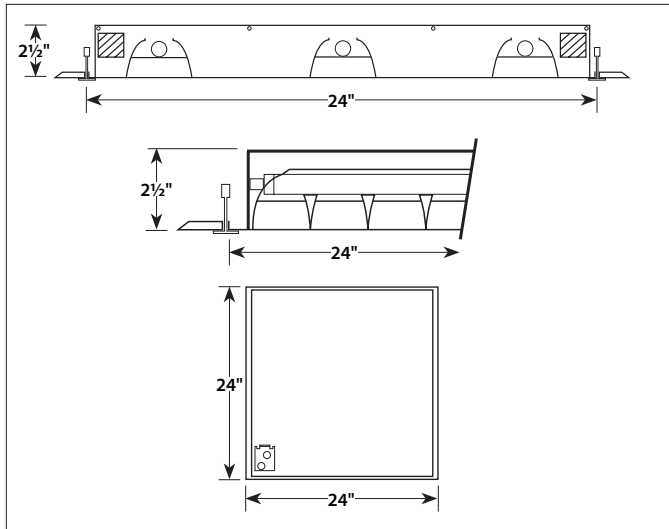
AVG. LUMINANCE (Candela/Sq. M.)

Average Luminance Angle	0.0	22.5	45.0	67.5	90.0
0	7726	7726	7726	7726	7726
30	6971	6962	8520	9281	9313
40	6181	6797	7779	7891	7840
45	5201	6023	6436	6111	5278
50	2530	4241	4575	2937	2026
55	1074	1475	2285	1061	530
60	140	445	608	281	117
65	102	74	148	148	74
70	80	57	57	80	57
75	45	30	45	30	30
80	45	45	45	45	45
85	0	89	0	89	0

RCR = Room Cavity Ratio

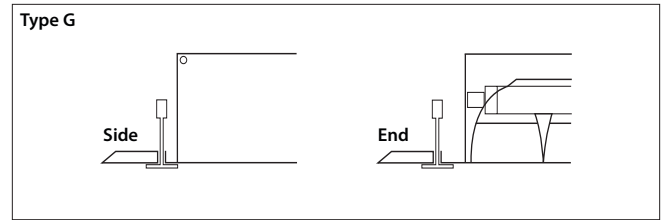
RC = Effective Ceiling Cavity Reflectance RW = Wall Reflectance

DIMENSIONAL DATA



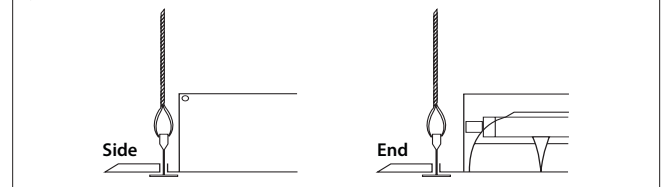
NOTE: All dimensions are in inches; dimensions and specifications are subject to change without notice. Please consult factory or check sample for verification.

CEILING COMPATIBILITY



For lay-in installation in exposed grid ceilings. Maximum tee widths of 1" and maximum tee heights of 2" allowed.

Type G with Flange Kit



For fixtures in row configurations, the FKCR adapter bracket kit is required in addition to the FK22 kit. Order one less FKCR than the total number of fixtures in row. (Example: Row of two, order (2) FK22 & (1) FKCR)

Flange kit rough in dimensions for single unit only: 24 3/8" x 24 3/8"