

**FEATURES**

- Narrow aperture dedicated louver for single or row mounting
- Excellent glare control for spaces where computers are in use; RP-1 compliant
- 3½" deep, low profile housing maximizes available plenum space
- Precise batwing distribution is ideal for 8' x 8' or 8' x 10' spacings
- Wall wash (1WW) option lights walls to improve contrast ratios and eliminate "cave effect"
- Double wall wash (2WW) option for corridors, small offices, or conference rooms
- GT (integral cross-tee) trim supports ceiling tile for easy installation
- T5 or T5HO technology offers an exceptional lumen package

**PROJECT INFORMATION**

Project Name \_\_\_\_\_

Type \_\_\_\_\_

Catalog No. \_\_\_\_\_

Date \_\_\_\_\_

**CONSTRUCTION**

Luminaire face plate, housing and end caps are die formed code gauge cold rolled steel. Anodized aluminum louvers provide excellent glare control. Louvers snap securely into position without tools. Louver safety tethers secure louvers for easy maintenance.

**FINISH**

Painted parts are treated with a five stage phosphate bonding process and finished with a high reflectance baked white enamel.

**INSTALLATION**

An access plate is furnished with each luminaire for fast wiring access from the plenum. No need to open fixture. Product ships standard with mylar dust cover to eliminate job site contamination.

**ELECTRICAL**

Standard class "P", thermally protected, auto-resetting HPF ballast, sound rated A. All ballast leads extend a minimum of 6" through access location. NEC/CEC-compliant ballast disconnect is standard.

**CEILING COMPATIBILITY**

GT Integral cross tee trim (recommended) allows installation into 2' on center 15/16" inverted tee systems without additional tee bar framing. Fixture side trim supports ceiling tiles cut to 10" width. SGT available to provide side trim for Slot Grid tee systems. For hard ceilings order G trim and FK04 flange accessory. SM version available for surface or pendant mounting.

**SURFACE OR PENDANT MOUNT**

Companion surface/pendant mount units match performance and aesthetics of recessed models.

**CERTIFICATION**

All luminaires are built to UL 1598 standards and bear appropriate UL and cUL or CSA labels. Damp location labeling is standard. Emergency-equipped fixtures labeled UL 924.

**ORDERING INFORMATION**

**EXAMPLE BR044-154GT-MA-EPU-1WW**

<b>BR</b>	<b>-</b>	<b>1</b>	<b>-</b>	<b>-</b>	<b>EP</b>	<b>-</b>
<b>MODEL</b> BR Brio® Stretto 4" T5 Low Glare	<b>NO. OF LAMPS</b> 1 One	<b>SIZE</b> 042 4" x 2' (Recessed) 044 4" x 4' (Recessed)	<b>LAMP TYPE</b> 14 2', T5: 14 Watt 24 2', T5HO: 24 Watt 28 4', T5: 28 Watt 54 4', T5HO: 54 or 51 Watt	<b>LOUVER FINISH</b> LS Low Iridescent Specular MA Matte Anodized Low Iridescent Semi-Specular Aluminum M4R 95% Reflective Specular Aluminum MW Matte White	<b>VOLTAGE</b> U 120V-277V 347 347V	<b>OPTIONS</b> F5830 30K 85CRI T5 or T5HO Lamps Installed F5835 35K 85CRI T5 or T5HO Lamps Installed F5841 41K 85CRI T5 or T5HO Lamps Installed 1WW Asymmetric Wall Wash 2WW Double Wall Wash C388 3-Wire Flex EL Emergency Battery Pack GLR Fast Blow Fuse GMF Slow Blow Fuse PAF Paint After Fabrication NYC NYC Compliant NYCU NYC Compliant, Union Label
			<b>CEILING TYPE</b> GT Integral Cross Tee (Grid ends lay into T-bar, sides act as integral cross-tee to support ceiling tile) SGT Slot Grid Integral Cross Tee (Ends lay into slot grid T-bar, sides act as integral cross-tee to support tile) G Grid (Standard 15/16" flat lay-in T-bar) <sup>1</sup> SM Surface/Pendant Mount SG Slot Grid	<b>BALLAST</b> EP Electronic, Programmed Start		<b>ACCESSORIES (ORDER SEPARATELY)</b> FK042 4" x 2' Single Flange Kit FK044 4" x 4' Single Flange Kit

<sup>1</sup> G trim will require full T-bar framing, where as GT trim acts as the T-bar without the need for full framing.

### PHOTOMETRIC DATA

Test 12831 Test Date 6/10/03

#### LUMINAIRE DATA

Luminaire	BR044-154G-LS-EPU-PAF BRIO Parabolic 4" x 48" 1-Lamp with 24 Cell Specular Louver
Ballast	QT2X54/120PHO
Ballast Factor	1.00
Lamp	F54T5
Lumens per Lamp	4400
Watts	60
Shielding Angle	N/A
Spacing Criterion	0° = 1.21 90° = 1.33
Luminous Opening in Feet	Length: 3.82 Width: 0.26 Height: 0.00

#### ZONAL LUMEN SUMMARY

Zone	Lumens	% Lamp	% Fixt.
0-30	1545	35.1	45.3
0-40	2508	57.0	73.6
0-60	3396	77.2	99.6
0-90	3409	77.5	100.0
0-180	3409	77.5	100.0

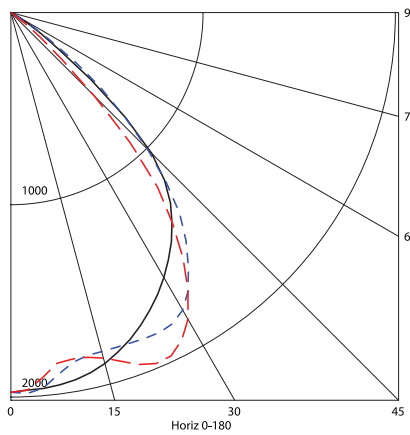
#### ENERGY DATA

Total Luminaire Efficiency	77.5%
Luminaire Efficacy Rating (LER)	57
IESNA RP-1-1993 Compliance	Yes - Maximum
Comparative Yearly Lighting Energy Cost per 1000 Lumens	\$4.21 based on 3000 hrs. and \$0.08 per KWH

#### COEFFICIENTS OF UTILIZATION (%)

RCR	RC	80			70			50			0		
		RW	70	30	10	70	50	30	10	50	30	10	0
1	87	85	82	80	85	83	81	79	80	78	77	71	
2	82	77	74	70	80	76	73	70	73	71	68	64	
3	76	71	66	62	75	69	65	62	67	64	61	57	
4	71	64	59	55	70	63	59	55	62	58	54	52	
5	67	59	54	50	65	58	53	49	57	52	49	47	
6	62	54	49	45	61	53	48	44	52	48	44	42	
7	58	50	44	40	57	49	44	40	48	43	40	38	
8	55	46	40	37	54	45	40	37	45	40	36	35	
9	51	43	37	33	50	42	37	33	41	37	33	32	
10	48	40	34	31	48	39	34	31	38	34	31	29	

#### INDOOR CANDELA PLOT



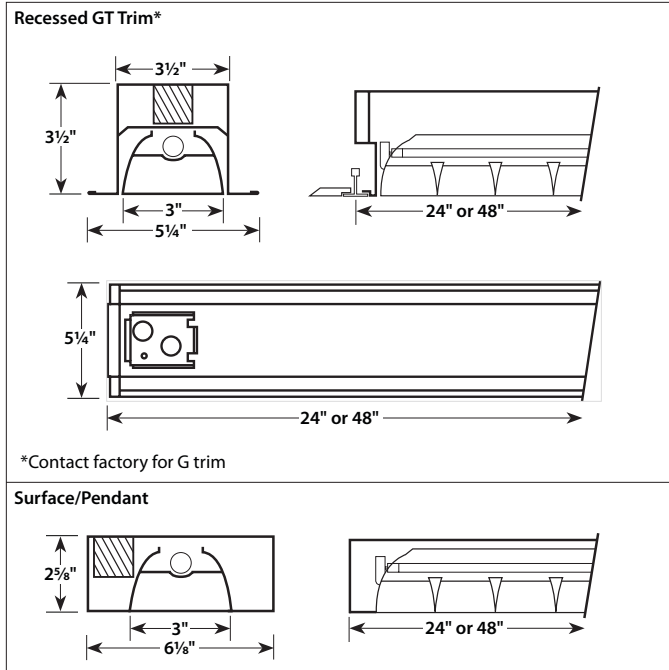
#### AVG. LUMINANCE (Candela/Sq. M.)

Average Luminance Angle	0.0	22.5	45.0	67.5	90.0
0	21404	21404	21404	21404	21404
30	19898	19985	22350	23276	23039
40	18264	18788	19311	17642	16793
45	15848	16430	15388	12231	9411
50	9155	11752	10369	5244	3406
55	3609	4969	4573	1795	472
60	650	1582	1301	412	108
65	103	103	231	231	103
70	63	63	63	63	63
75	0	84	0	0	0
80	0	0	0	0	0
85	0	0	0	0	0

RCR = Room Cavity Ratio

RC = Effective Ceiling Cavity Reflectance RW = Wall Reflectance

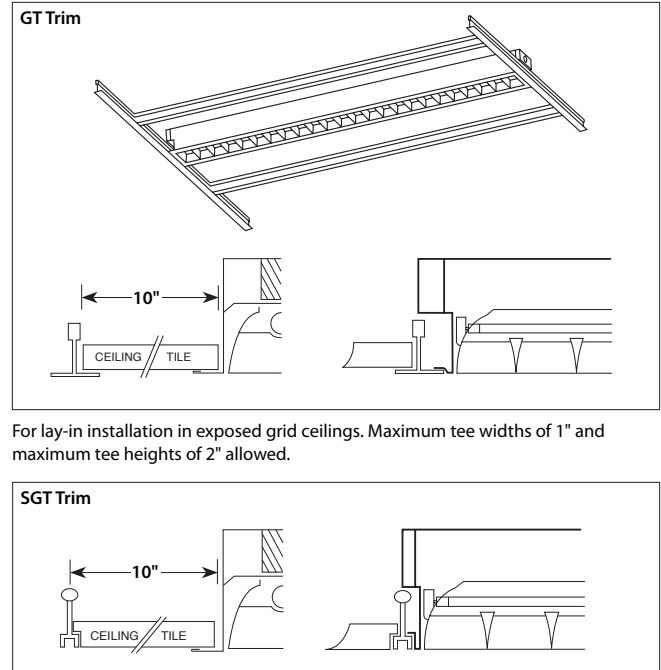
#### DIMENSIONAL DATA



\*Contact factory for G trim

**NOTE:** All dimensions are in inches; dimensions and specifications are subject to change without notice. Please consult factory or check sample for verification.

#### CEILING COMPATIBILITY



For lay-in installation in exposed grid ceilings. Maximum tee widths of 1" and maximum tee heights of 2" allowed.

For 5/8" slot grid type ceilings. Louver will be level with the ceiling plane. Shoulder heights of tee or exact slot grid must be specified.