

FEATURES

- Wide body two lamp design produces lower surface brightness and improved VCP
- Clear acrylic prismatic diffuser, flat bottom with vertical sides
- Two, three, or four-lamp cross sections
- Hinges from either side
- White steel end plates with flush knockouts for continuous row mounting
- Heavy gauge steel housing die embossed for maximum rigidity
- Heat sink embossments and levelling projections allow direct mounting of HPF fixtures on combustible low density cellulose fiberboard ceilings
- All metal parts are treated with a five stage phosphate bonding process and finished with a baked white enamel

PROJECT INFORMATION

Project Name _____

Type _____

Catalog No. _____

Date _____

BALLASTS

Energy efficient, thermally protected, automatic resetting, Class P, high power factor, sound rated A, unless otherwise specified. CEE NEMA Premium compliant.

ELECTRICAL

Standard class "P", thermally protected, auto-resetting HPF ballast, sound rated A. CEE NEMA Premium compliant. All ballast leads extend a minimum of 6" through access location. NEC/CEC-compliant ballast disconnect is standard.

FINISH

All parts pre-painted with high gloss baked white enamel, minimum reflectance 86%, applied over iron phosphate pre-treatment for maximum adhesion and rust resistance.

SHIELDING

100% clear prismatic acrylic.

CERTIFICATION

All luminaires are built to UL 1598 standards and bear appropriate UL and cUL or CSA labels. Damp location labeling is standard. Emergency-equipped fixtures labeled UL 924.

ORDERING INFORMATION

EXAMPLE AWW4-332-3EU

AWW							
MODEL	LENGTH	NO. OF LAMPS IN CROSS SECTION	LAMP TYPE	BALLAST	VOLTAGE	OPTIONS	
AWW 14 5/8" Wide Low Profile Wraparound	4 4' 8 8'	2 Two 3 Three 4 Four	28 4', T5: 28 Watt 32 4', T8: 32, 30, 28 or 25 Watt 54 4', T5HO: 54 or 51 Watt	E Electronic T8, Instant Start 3E 3-Lamp Electronic T8, Instant Start 4E 4-Lamp Electronic T8, Instant Start 24E (1) 2-Lamp & (1) 4-Lamp Electronic T8, Instant Start EP Electronic T5 or T8, Programmed Start 3EP 3-Lamp Electronic T5HO or T8, Programmed Start 4EP 4-Lamp Electronic T5HO or T8, Programmed Start 24EP (1) 2-Lamp & (1) 4-Lamp Electronic T8, Programmed Start	U 120V-277V 347 347V	GLR Fast Blow Fuse EL Emergency Battery Pack PAF Paint After Fabrication NYC NYC Compliant NYCU NYC Compliant, Union Labeled	
						ACCESSORIES (ORDER SEPARATELY)	
						S18 18" Stem, Canopy SS18 18" Swivel Stem - 45° Swivel	

For a specific ballast vendor, show as option.



PHOTOMETRIC DATA

AVG. LUMINANCE (Candela/Sq. M.)

Test 3463 Test Date 10/4/10

LUMINAIRE DATA

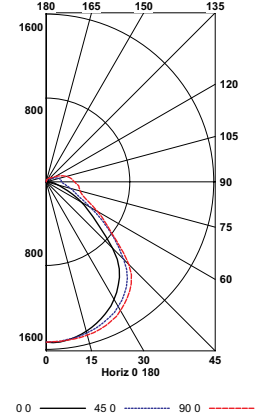
Luminaire	AWW4-232 AWW, Wraps 15" x 48" 2-Lamp with wrap-around prismatic acrylic lens
Ballast	B2321UNV-HP-B
Ballast Factor	0.88
Lamp	F28T8
Lumens per Lamp	2725
Watts	57
Shielding Angle	0° = 90 90° = 90
Spacing Criterion	0° = 1.25 90° = 1.36
Luminous Opening in Feet	Length: 4.00 Width: 1.19 Height: 0.13

Average Luminance Angle	0.0	22.5	45.0	67.5	90.0
0	3460	3460	3460	3460	3460
30	3317	3327	3391	3451	3480
40	3118	3166	3278	3356	3418
45	2772	2912	3043	3148	3215
50	2242	2460	2684	2740	2733
55	1921	2063	2297	2331	2391
60	1666	1802	1877	2079	2156
65	1356	1627	1572	1967	1929
70	1050	1452	1498	1941	1866
75	904	1330	1513	2063	2073
80	913	1249	1602	2394	2557
85	814	1211	1983	3085	3462

COEFFICIENTS OF UTILIZATION (%)

RCR	80				70				50				0
	RW	70	50	30	10	70	50	30	10	50	30	10	0
1	91	87	83	80	88	84	81	78	79	76	74	64	
2	83	76	70	65	80	74	68	64	69	65	61	54	
3	76	67	60	55	73	65	59	54	61	56	52	46	
4	70	60	52	47	67	58	51	46	55	49	45	40	
5	64	54	46	41	62	52	45	40	49	43	39	35	
6	59	48	41	36	57	47	40	35	45	39	34	30	
7	55	44	37	31	53	43	36	31	41	35	30	27	
8	51	40	33	28	50	39	32	28	37	31	27	24	
9	48	37	30	25	46	36	29	25	34	29	24	22	
10	45	34	27	23	43	33	27	23	32	26	22	20	

INDOOR CANDELA PLOT



ZONAL LUMEN SUMMARY

Zone	Lumens	% Lamp	% Fixt.
0-30	1225	22.5	26.3
0-40	2031	37.3	43.5
0-60	3391	62.2	72.7
0-90	4229	77.6	90.6
90-120	342	6.3	7.3
90-130	385	7.1	8.2
90-150	426	7.8	9.1
90-180	437	8.0	9.4
0-180	4666	85.6	100.0

RCR = Room Cavity Ratio

RC = Effective Ceiling Cavity Reflectance RW = Wall Reflectance

ENERGY DATA

Total Luminaire Efficiency	85.6%
Luminaire Efficacy Rating (LER)	72
ANSI/IESNA RP-1-2004 Compliance	Noncompliant
Comparative Yearly Lighting Energy Cost per 1000 Lumens	\$3.33 based on 3000 hrs. and \$0.08 per KWH

LUMINAIRE DATA

Luminaire	AWW4-332 AWN/AWW Wraparound 15" x 48" 3-Lamp with Wraparound Plastic Acrylic Prisms Lens
Ballast	B3321120RH
Ballast Factor	0.88
Lamp	F32T8
Lumens per Lamp	2900
Watts	82
Shielding Angle	N/A

AVG. LUMINANCE (Candela/Sq. M.)

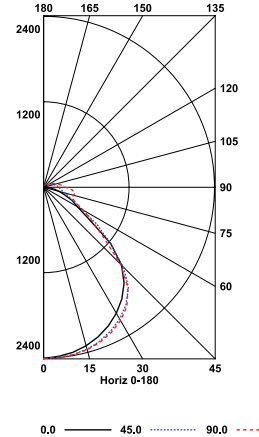
Average Luminance Angle	0.0	22.5	45.0	67.5	90.0
0	5391	5391	5391	5391	5391
30	5190	5172	5228	5254	5269
40	5007	4990	5003	4959	4940
45	4755	4697	4563	4398	4375
50	4124	4067	3855	3384	3414
55	2888	3434	3159	2691	2831
60	2327	2714	2429	2406	2398
65	2202	2093	2059	2184	2097
70	1914	1787	1910	2199	2142
75	1754	1628	1952	2563	2665
80	1679	1728	2179	3106	3592
85	1538	1869	2828	4018	4587

COEFFICIENTS OF UTILIZATION (%)

RCR	80				70				50				0
	RW	70	50	30	10	70	50	30	10	50	30	10	0
1	83	79	76	73	80	77	74	71	73	70	68	60	
2	76	70	65	61	74	68	63	59	64	60	57	51	
3	70	62	56	51	67	60	55	50	57	53	49	44	
4	64	55	49	44	62	54	48	43	51	46	42	38	
5	59	50	43	38	57	49	42	38	46	41	37	33	
6	55	45	38	34	53	44	38	33	42	37	32	29	
7	51	41	34	30	49	40	34	30	38	33	29	26	
8	48	37	31	27	46	37	31	26	35	30	26	23	
9	44	34	28	24	43	34	28	24	32	27	23	21	
10	42	32	26	22	40	31	25	22	30	25	21	19	

Test 12165 Test Date 1/8/03

INDOOR CANDELA PLOT



ZONAL LUMEN SUMMARY

Zone	Lumens	% Lamp	% Fixt.
0-30	1915	22.0	28.3
0-40	3162	36.3	46.7
0-60	5154	59.2	76.2
0-90	6246	71.8	92.3
90-120	382	4.4	5.6
90-130	432	5.0	6.4
90-150	496	5.7	7.3
90-180	519	6.0	7.7
0-180	6765	77.8	100.0

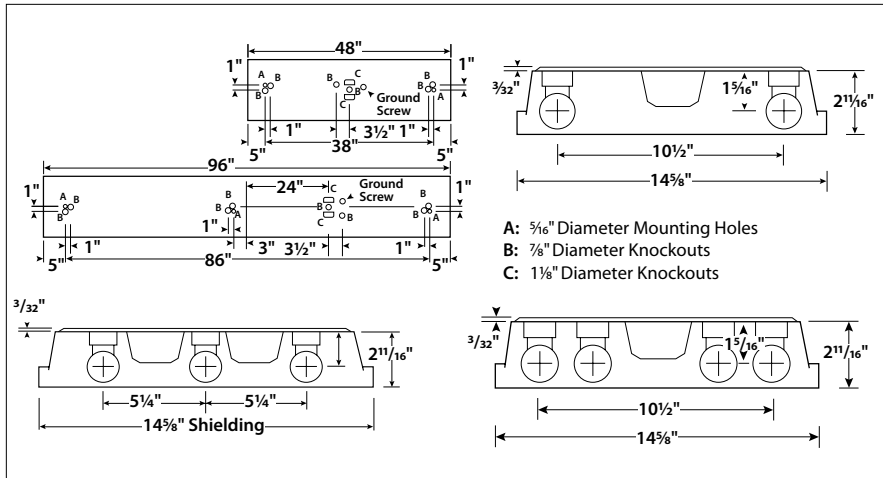
RCR = Room Cavity Ratio

RC = Effective Ceiling Cavity Reflectance RW = Wall Reflectance

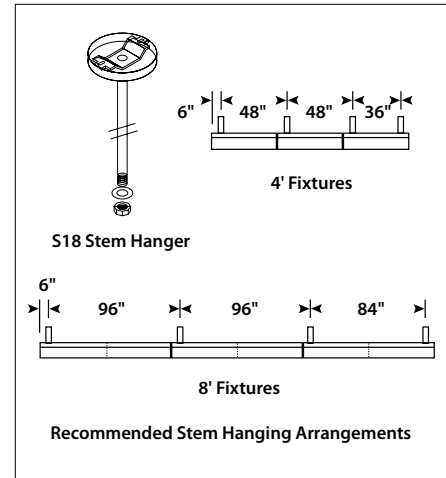
ENERGY DATA

Total Luminaire Efficiency	77.8%
Luminaire Efficacy Rating (LER)	73
ANSI/IESNA RP-1-1993 Compliance	Noncompliant
ANSI/IESNA RP-1-2004 Compliance	Noncompliant
Comparative Yearly Lighting Energy Cost per 1000 Lumens	\$3.29 based on 3000 hrs. and \$0.08 per KWH

DIMENSIONAL DATA



STEM HANGING



NOTE: All dimensions are in inches; dimensions and specifications are subject to change without notice. Please consult factory or check sample for verification.