

**FEATURES**

- Recessed indirect cover provides the appearance of a handcrafted cove at a fraction of the cost
- Customized appearance available with optional trim colors
- Aesthetic variety provided by wood, brass, or painted steel trim
- Available for type G lay-in ceilings, type F plaster ceilings, or sheet rocked ceilings
- UL listed 1598, cUL or CSA. Damp Location standard

**PROJECT INFORMATION**

Project Name \_\_\_\_\_

Type \_\_\_\_\_

Catalog No. \_\_\_\_\_

Date \_\_\_\_\_

**CONSTRUCTION**

Recessed 9" deep housing is formed of code gauge steel and welded in a one-piece assembly. Exposed chamfered "skirt" assembly shields electrical system with concealed lamp source. Skirt assembly is of one-piece welded steel construction and held in place by positive drawn heavy duty torsion springs on type "F" version.

**ELECTRICAL**

Standard class "P", thermally protected, autoresetting HPF ballast, sound rated A. CEE NEMA Premium compliant. All ballast leads extend a minimum of 6" through access location. NEC/CEC-compliant ballast disconnect is standard.

**FINISH**

Finish of interior coffer is a textured baked enamel surface. Color is a neutral cream that efficiently reflects fluorescent source and provides a warm ambient illumination to complement most room color schemes. Standard finish of exposed "skirt" is baked, powder coat, matte white enamel.

**CEILING COMPATIBILITY**

Fixture is designed to fit NEMA type G (lay-in) and type F (overlapping flange) ceiling systems. Luminaires for type F ceilings are provided with necessary adjustable wing hangers for leveling and support of unit.

**INSTALLATION**

Architectural Cove units are designed for quick installation. Allow access for final wiring and inspection from an adjacent ceiling module or through internal electrical wireway.

**CERTIFICATION**

All luminaires are built to UL 1598 standards and bear appropriate UL and cUL or CSA labels. Damp location labeling is standard. Emergency-equipped fixtures labeled UL 924.

**BALLASTS**

Energy efficient, thermally protected, automatic resetting, Class P, high power factor, sound rated A, magnetic or electronic ballasts. CEE NEMA Premium compliant.

**ORDERING INFORMATION**

**EXAMPLE AC44-425G-4EU-MW-CZIG**

<b>AC</b>	<b>- 4</b>	<b>-</b>	<b>- MW -</b>	<b>-</b>	
<b>MODEL</b> AC Architectural Cove	<b>NO. OF LAMPS</b> 4 Four	<b>CEILING COMPATIBILITY</b> G Grid Trim (For 1" inverted T-Bar) F Overlap Flange Trim (For hard ceilings)	<b>VOLTAGE</b> U 120V-277V 347 347V	<b>SKIRT COLOR</b> MW Matte White (Std.)	<b>OPTIONS</b> EFH Extended Flange Hanger (Minimum 2½", maximum 4" depth adjustment) GLR Fast Blow Fuse GMF Slow Blow Fuse
<b>SIZE</b> 22 2' x 2' 33 3' x 3' 44 4' x 4' 55 5' x 5'	<b>LAMP TYPE</b> 14 2', T5: 14 Watt (3' x 3') 17 2', T8: 17 Watt (3' x 3') 21 3', T5: 21 Watt (4' x 4') 24 2', T5HO: 24 Watt (3' x 3') 25 3', T8: 25 Watt (4' x 4') 28 4', T5: 28 Watt (5' x 5') 32 4', T8: 32 Watt (5' x 5') 36 16½", TT: 36 Watt (2' x 2') 39 3', T5HO: 39 Watt (4' x 4') 54 4', T5HO: 54 Watt (5' x 5')	<b>BALLAST</b> E Electronic T8, Instant Start 4E 4-Lamp Electronic T8, Instant Start ED Electronic Dimming T8 EP Electronic T5, Programmed Start 4EP 4-Lamp Electronic T5, Programmed Start ETT Electronic Twin Tube, Instant Start	<b>CUSTOM TRIM (OPTIONAL)</b> CZIG Classical Ziggurat Step WOOD Specify cherry or oak		

## PHOTOMETRIC DATA

Test 12570 Test Date 1/8/03

### LUMINAIRE DATA

Luminaire	AC44-4T8G-OCT 4' x 4' 4-Lamp Indirect Lighting Module
Ballast	(2) 731-L-TC-P
Ballast Factor	0.95
Lamp	F25T8
Lumens per Lamp	2150
Watts	113
Shielding Angle	N/A
Spacing Criterion	0° = 1.30 90° = 1.29
Luminous Opening in Feet	Length: 3.71 Width: 3.71 Height: 0.00

### ZONAL LUMEN SUMMARY

Zone	Lumens	% Lamp	% Fixt.
0-30	776	9.0	22.2
0-40	1292	15.0	37.0
0-60	2436	28.3	69.8
0-90	3490	40.6	100.0
0-180	3490	40.6	100.0

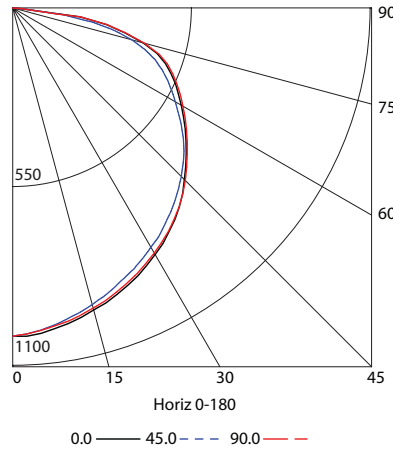
### ENERGY DATA

Total Luminaire Efficiency	40.6%
Luminaire Efficacy Rating (LER)	29
IESNA RP-1-1993 Compliance	Yes - Maximum
Comparative Yearly Lighting Energy Cost per 1000 Lumens	\$8.28 based on 3000 hrs. and \$0.08 per KWH

### COEFFICIENTS OF UTILIZATION (%)

RCR	RW	80				70				50				0			
		70	50	30	10	70	50	30	10	50	30	10	50	30	10	0	
1	43	41	39	37	42	40	38	37	39	37	36	33					
2	39	35	32	29	38	34	32	29	33	30	28	26					
3	35	30	27	24	34	30	26	24	29	26	23	21					
4	32	27	23	20	31	26	23	20	25	22	19	18					
5	29	24	20	17	28	23	20	17	22	19	17	15					
6	27	21	17	15	26	21	17	14	20	17	14	13					
7	25	19	15	13	24	19	15	13	18	15	13	11					
8	23	17	14	11	23	17	14	11	17	13	11	10					
9	22	16	12	10	21	16	12	10	15	12	10	9					
10	20	15	11	9	20	14	11	9	14	11	9	8					

### INDOOR CANDELA PLOT



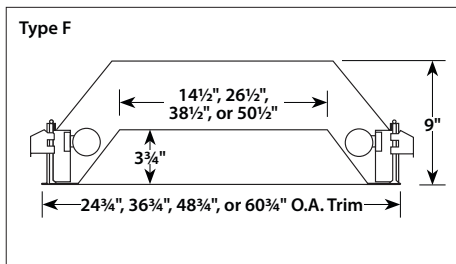
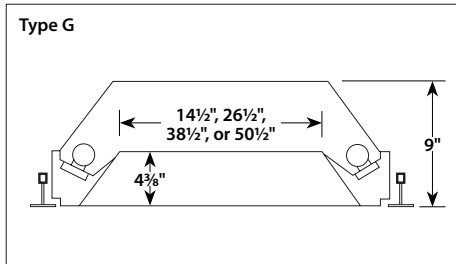
### AVG. LUMINANCE (Candela/Sq. M.)

Average Luminance Angle	0.0	22.5	45.0	67.5	90.0
0	790	790	790	790	790
30	791	774	768	774	787
40	815	797	792	798	814
45	826	813	812	815	831
50	848	831	837	837	853
55	884	866	864	871	890
60	937	918	904	926	946
65	1023	997	973	1010	1033
70	1143	1109	1068	1130	1159
75	1257	1230	1148	1257	1272
80	1315	1207	1117	1266	1329
85	215	395	359	359	287

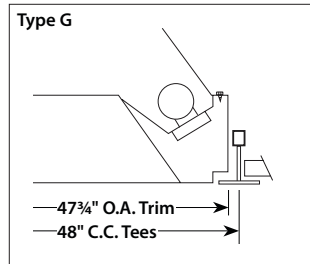
RCR = Room Cavity Ratio

RC = Effective Ceiling Cavity Reflectance RW = Wall Reflectance

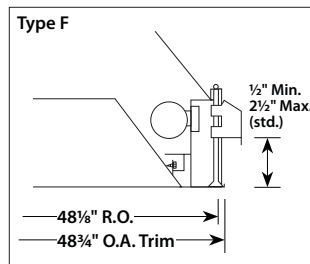
### DIMENSIONAL DATA



### CEILING COMPATIBILITY

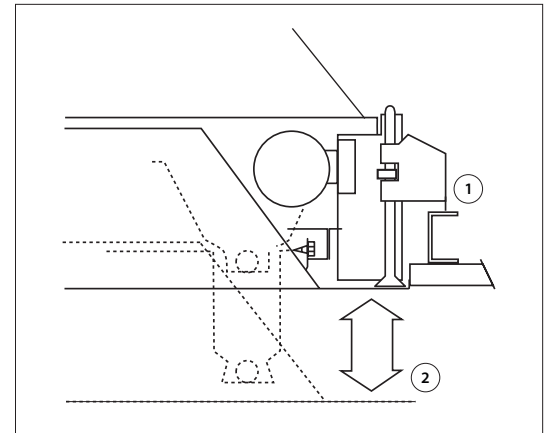


NEMA Type G luminaire for lay-in installation in inverted exposed grid tee ceilings. Maximum tee width is 1".



NEMA Type F luminaire has exposed flanges which finish edges of ceiling opening. Concealed suspension by adjustable wing hangers.

### FLANGE DETAIL



The flanged AC is installed by drawing the upper housing (1) into the ceiling by vertically adjustable wing hangers. The lower decorative skirt assembly (2) is then attached and drawn tight against the finished ceiling without the use of tools. Relamping may be done by reaching over the skirt assembly.

**NOTE:** All dimensions are in inches; dimensions and specifications are subject to change without notice. Please consult factory or check sample for verification.