

PHOTOMETRIC DATA

Test 11160 Test Date 1/8/03

LUMINAIRE DATA

Luminaire	5PA24-432G-FSA12-4E SPA Lensed Troffer 2' x 4' 4-Lamp with A-12 Pattern Acrylic Prisms Lens
Ballast	B4321120RH
Ballast Factor	0.91
Lamp	FO32/741
Lumens per Lamp	2850
Total Input Watts	109
Shielding Angle	N/A
Spacing Criterion	0° = 1.22 90° = 1.26
Luminous Opening in Feet	Length: 3.67 Width: 1.71 Height: 0.00

ZONAL LUMEN SUMMARY

Zone	Lumens	% Lamp	% Fixt.
0-30	2658	23.3	34.0
0-40	4299	37.7	55.0
0-60	6772	59.4	86.6
0-90	7817	68.6	100.0
0-180	7817	68.6	100.0

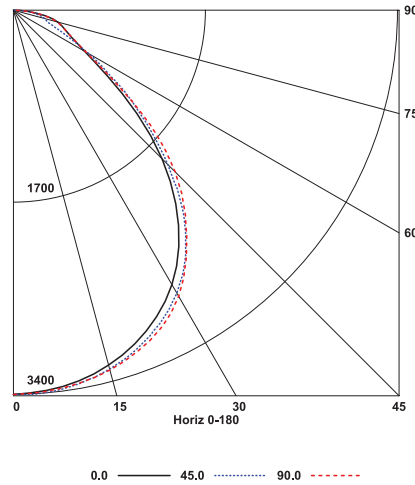
ENERGY DATA

Total Luminaire Efficiency	68.6%
Luminaire Efficacy Rating (LER)	65
IESNA RP-1-1993 Compliance	Noncompliant
ANSI/IESNA RP-1-2004 Compliance	Noncompliant
Comparative Yearly Lighting Energy Cost per 1000 Lumens	\$3.69 based on 3000 hrs. and \$0.08 per KWH

COEFFICIENTS OF UTILIZATION (%)

RCR	RW	80				70				50				0
		70	50	30	10	70	50	30	10	50	30	10	0	
1	75	72	70	67	74	71	69	66	68	66	64	59		
2	69	64	60	57	68	63	59	56	61	57	55	51		
3	64	57	52	48	62	56	52	48	54	50	47	44		
4	59	51	46	42	57	50	45	41	49	44	41	38		
5	55	46	41	36	53	46	40	36	44	40	36	34		
6	51	42	36	32	49	41	36	32	40	35	32	30		
7	47	38	33	29	46	38	33	29	37	32	29	27		
8	44	35	30	26	43	35	29	26	34	29	26	24		
9	41	32	27	23	40	32	27	23	31	27	23	22		
10	39	30	25	21	38	30	25	21	29	24	21	20		

INDOOR CANDELA PLOT



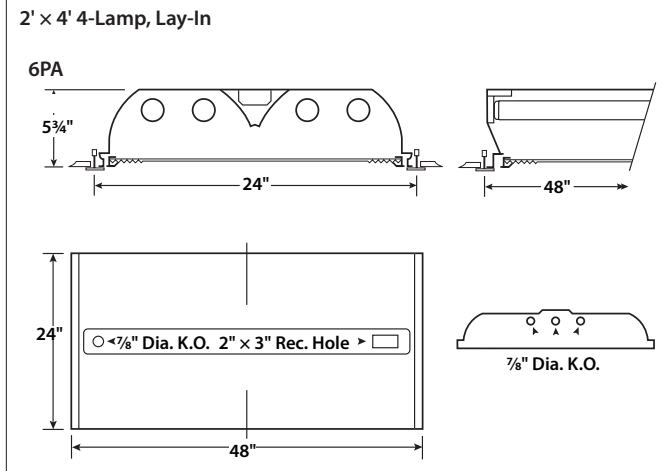
AVG. LUMINANCE (Candela/Sq. M.)

Average Luminance Angle	0.0	22.5	45.0	67.5	90.0
0	5835	5835	5835	5835	5835
30	5555	5617	5730	5797	5793
40	5004	5100	5237	5291	5304
45	4512	4565	4689	4822	4912
50	3816	3866	4051	4136	4227
55	3035	3209	3349	3319	3224
60	2490	2641	2631	2665	2545
65	2305	2277	2009	2330	2326
70	2402	2131	1685	2242	2387
75	2697	2167	1895	2253	2638
80	2835	2213	2124	2272	2736
85	2617	2460	2322	2401	2578

RCR = Room Cavity Ratio

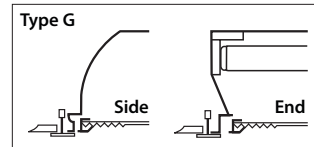
RC = Effective Ceiling Cavity Reflectance RW = Wall Reflectance

DIMENSIONAL DATA

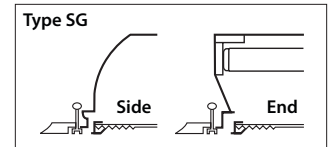


NOTE: All dimensions are in inches; dimensions and specifications are subject to change without notice. Please consult factory or check sample for verification.

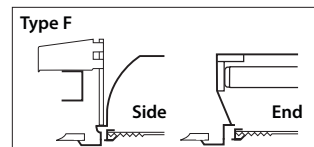
CEILING COMPATIBILITY



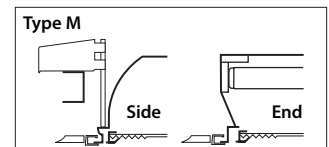
For lay-in installation in exposed grid ceilings. Maximum tee widths of 1" and maximum tee heights of 1 1/2" allowed.



For 5/8" slot grid type ceilings. Louver will be level with the ceiling plane. Shoulder heights of tee or exact slot grid must be specified.



For tile, plaster or plasterboard type ceilings. Overlapping extruded aluminum trim conceals edges of ceiling opening. Wing hanger suspension system included. For row mounting, row information is required.



For metal pan ceilings "Fit-in" style extruded trim aligns with modular tile joints. Fixture is supported from concealed suspension and includes all adjustable wing hangers.

Flange kit rough in dimensions for single unit only: 24 1/8" x 48 1/8"