

PHOTOMETRIC DATA

Test 10601 Test Date 1/8/03

LUMINAIRE DATA

Luminaire	5PA24-332G-FAA12-3E 5PA Lensed Troffer 2' x 4' 3-Lamp with A12 Pattern Acrylic Prisms Lens
Ballast	B3321120RH
Ballast Factor	0.93
Lamp	FO32/741
Lumens per Lamp	2850
Total Input Watts	85
Shielding Angle	N/A
Spacing Criterion	0° = 1.22 90° = 1.26
Luminous Opening in Feet	Length: 3.67 Width: 1.71 Height: 0.00

ZONAL LUMEN SUMMARY

Zone	Lumens	% Lamp	% Fixt.
0-30	2051	24.0	34.0
0-40	3318	38.8	55.0
0-60	5227	61.1	86.6
0-90	6034	70.6	100.0
0-180	6034	70.6	100.0

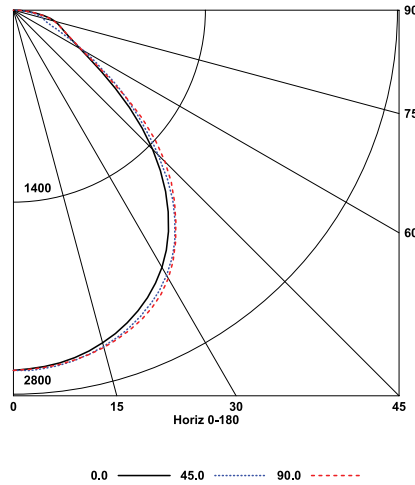
ENERGY DATA

Total Luminaire Efficiency	70.6%
Luminaire Efficacy Rating (LER)	66
IESNA RP-1-1993 Compliance	Noncompliant
ANSI/IESNA RP-1-2004 Compliance	Noncompliant
Comparative Yearly Lighting Energy Cost per 1000 Lumens	\$3.64 based on 3000 hrs. and \$0.08 per KWH

COEFFICIENTS OF UTILIZATION (%)

RCR	RW	80			70			50			0		
		70	50	30	10	70	50	30	10	50	30	10	0
1	78	75	72	69	76	73	71	68	70	68	66	61	
2	71	66	62	58	70	65	61	57	62	59	56	52	
3	66	59	54	50	64	58	53	49	56	52	48	45	
4	61	53	47	43	59	52	47	43	50	46	42	39	
5	56	48	42	38	55	47	41	37	46	41	37	35	
6	52	43	37	33	51	43	37	33	41	36	33	31	
7	48	40	34	30	47	39	33	30	38	33	29	28	
8	45	36	31	27	44	36	30	27	35	30	26	25	
9	42	33	28	24	41	33	28	24	32	27	24	23	
10	40	31	26	22	39	31	25	22	30	25	22	21	

INDOOR CANDELA PLOT



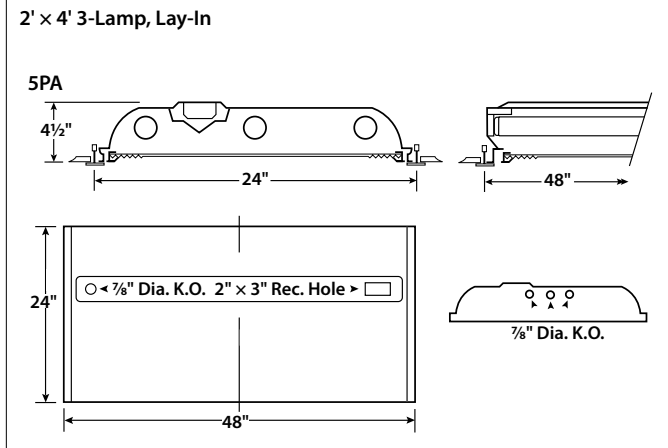
AVG. LUMINANCE (Candela/Sq. M.)

Average Luminance Angle	0.0	22.5	45.0	67.5	90.0
0	4504	4504	4504	4504	4504
30	4288	4335	4422	4474	4472
40	3862	3938	4044	4084	4093
45	3481	3524	3619	3723	3791
50	2946	2986	3127	3191	3261
55	2344	2476	2587	2563	2488
60	1924	2038	2031	2055	1962
65	1782	1757	1550	1798	1794
70	1856	1645	1299	1730	1840
75	2081	1677	1465	1743	2034
80	2183	1709	1640	1758	2114
85	2027	1909	1791	1850	1988

RCR = Room Cavity Ratio

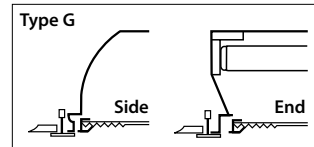
RC = Effective Ceiling Reflectance RW = Wall Reflectance

DIMENSIONAL DATA

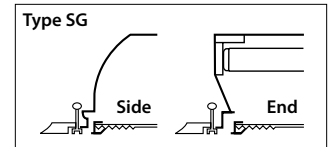


NOTE: All dimensions are in inches; dimensions and specifications are subject to change without notice. Please consult factory or check sample for verification.

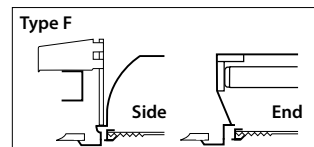
CEILING COMPATIBILITY



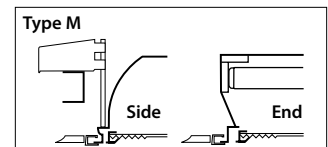
For lay-in installation in exposed grid ceilings. Maximum tee widths of 1" and maximum tee heights of 1 1/2" allowed.



For 5/8" slot grid type ceilings. Louver will be level with the ceiling plane. Shoulder heights of tee or exact slot grid must be specified.



For tile, plaster or plasterboard type ceilings. Overlapping extruded aluminum trim conceals edges of ceiling opening. Wing hanger suspension system included. For row mounting, row information is required.



For metal pan ceilings "Fit-in" style extruded trim aligns with modular tile joints. Fixture is supported from concealed suspension and includes all adjustable wing hangers.

Flange kit rough in dimensions for single unit only: 24 1/8" x 48 1/8"