

FEATURES

- 4¾" deep troffer eliminates lens shadowing
- Standard lens made of .140" high impact acrylic
- Lamp-to-lens spacing is over 2"
- Contoured housing maximizes photometric performance with uniform lens brightness
- Unique stepped ballast cover prevents any shadow being seen through the lens
- Mitered corners on door present a clean uninterrupted appearance
- T-slot steel hinges insure a snug door fit and positive retention when opening
- Heavy duty door frame enhances appearance
- Available with T8 "U" lamps, twin tube compact fluorescent, or 2' straight T8 lamps
- Stainless steel tamper resistant screws optional
- Damp label standard

PROJECT INFORMATION

Project Name _____

Type _____

Catalog No. _____

Date _____

HOUSING

Fixture is constructed of die formed and embossed code gauge steel. End caps are hinged and riveted to the housing for added rigidity. Integral T-bar clips are located in the end cap of the housing. Luminaire is available to fit most standard ceiling types as shown on reverse side, however, some options may increase fixture depth. For information on compatibility with specific ceilings, or where plenum depth is a problem, contact your Columbia representative.

SHIELDING

Standard lens is made of high impact, pattern 12 acrylic. For other available lenses consult lens option sheet or contact your Columbia representative. Standard flush door is formed steel with mitered corners. Doors are retained by cam action latches, are easily removed without tools, and hinge from either side. Regressed or flush aluminum doors with mitered corners are also available.

ELECTRICAL

Standard class "P", thermally protected, auto-re-setting HPF ballast, sound rated A. All ballast leads extend a minimum of 6" through access location. NEC/CEC-compliant ballast disconnect is standard.

CERTIFICATION

All luminaires are built to UL 1598 standards and bear appropriate UL and cUL or CSA labels. Damp location labeling is standard. Emergency-equipped fixtures labeled UL 924.

FINISH

All metal parts are processed with a multi-stage phosphate bonding treatment and finished with a high reflectance baked white enamel. For a post painted housing finish suffix catalog number with PAF.

ORDERING INFORMATION

EXAMPLE 4VS22-232U6G-FSDR12-EU

4VS	22	-	-	-	-	-
MODEL	NO. OF LAMPS	CEILING TYPE	SHIELDING	VOLTAGE	OPTIONS¹	
4VS Vandal Resistant Specification Grade Troffer	2 Two 3 Three 4 Four	G Grid F Overlap Flange M Modular Fit-in Trim	DR12 High Impact Acrylic Pattern 12, .140" (std.) AT12 KSH Acri-Tuf, .140" LG250 Polycarbonate Acrylic Laminate Lens, .250" LG375 Polycarbonate Acrylic Laminate Lens, .375"	U 120V-277V 347 347V	F0735 T8 Lamp Installed, 75 CRI, 3500K SLL Spring Loaded Latches PAF Paint After Fabrication GLR Fast Blow Fuse EL Emergency Battery Pack MS9 Master/Satellite w/9' Harness NYC NYC Compliant NYCU NYC Compliant, Union Label	
SIZE	LAMP TYPE	DOOR	BALLAST	TAMPER RESISTANT OPTIONS		
22 2' x 2'	31U1 U-Bent, 1½" Leg Spacing, T8: 31 Watt 32U6 U-Bent, 6" Leg Spacing, T8: 32 Watt 40TT Twin Tube Compact, 2G11 Base: 40 Watt 14 2', T5: 14 Watt 17 2', T8: 17 Watt 24 2', T5HO: 24 Watt	FS Flush Steel FA Flush Aluminum	E Electronic T8, Instant Start 3E 3-Lamp Electronic T8, Instant Start 4E 4-Lamp Electronic T8, Instant Start EP Electronic T5 or T8, Programmed Start 3EP 3-Lamp Electronic T5HO or T8, Programmed Start 4EP 4-Lamp Electronic T5HO (N/A 347V) or T8, Programmed Start ETT Electronic Twin Tube, Instant Start	TP4 (4) Tamper Resistant Screws (std.) TPS4 (4) Stainless Steel Tamper Resistant Screws		

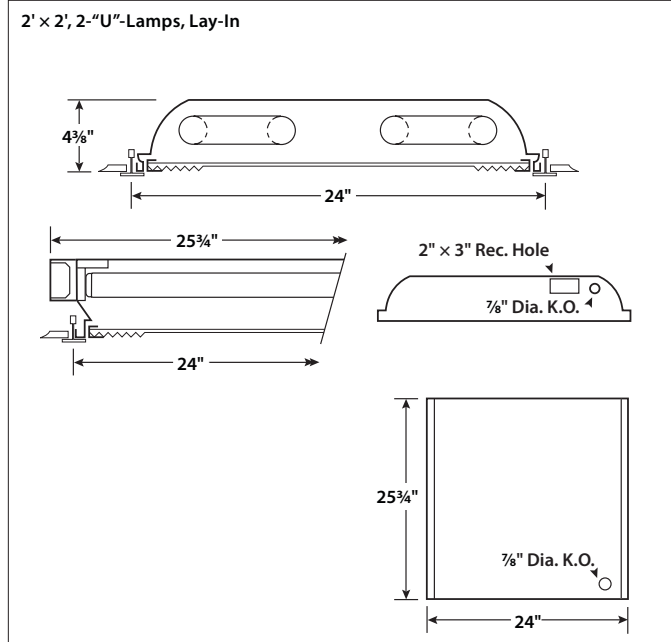
¹EL or other options may increase fixture depth.

For others available, see Ballast Options.



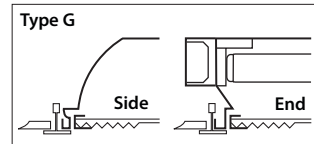
PHOTOMETRIC DATA – CONTACT FACTORY

DIMENSIONAL DATA

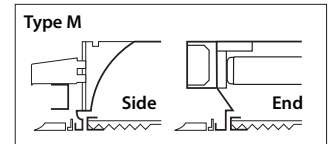


NOTE: All dimensions are in inches; dimensions and specifications are subject to change without notice. Please consult factory or check sample for verification.

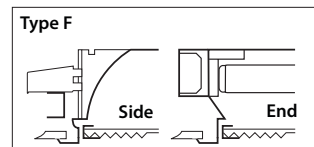
CEILING COMPATIBILITY



For lay-in installation in exposed grid ceilings. Maximum tee widths of 1" and maximum tee heights of 1 1/2" allowed.



"Fit-in" style extruded trim aligns with modular tile joints. Fixture is supported from concealed suspension, includes adjustable wing hangers.



Overlapping trim conceals edges of ceiling opening. Wing hanger suspension included.

Flange kit rough in dimensions for single unit only: 24 1/8" x 24 1/8"